

Installation and Assembly: In-wall Mount for 32" to 71" Flat Panel Displays

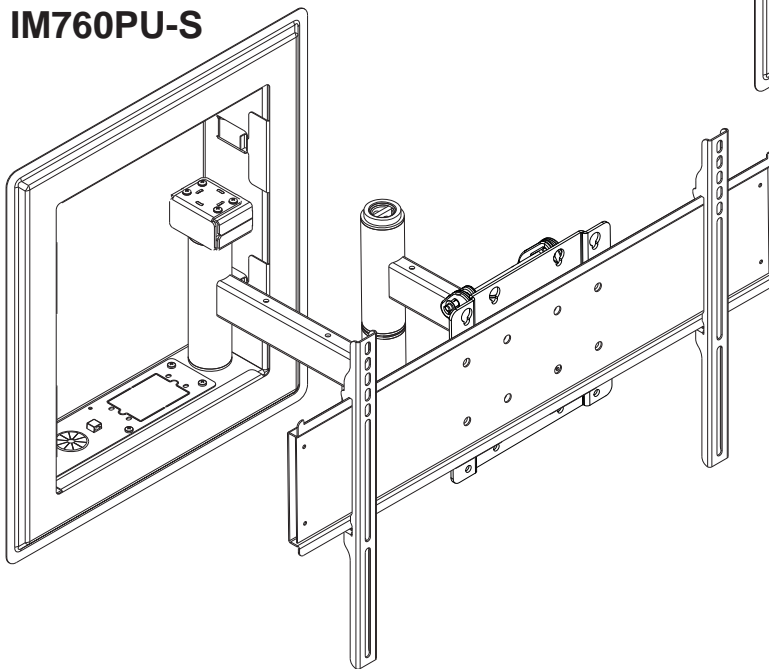
Model#	Display size range
IM760P, IM760P-S	32" to 71" (81 to 180 cm)
IM760PU, IM760PU-S	32" to 65" (81 to 165 cm)



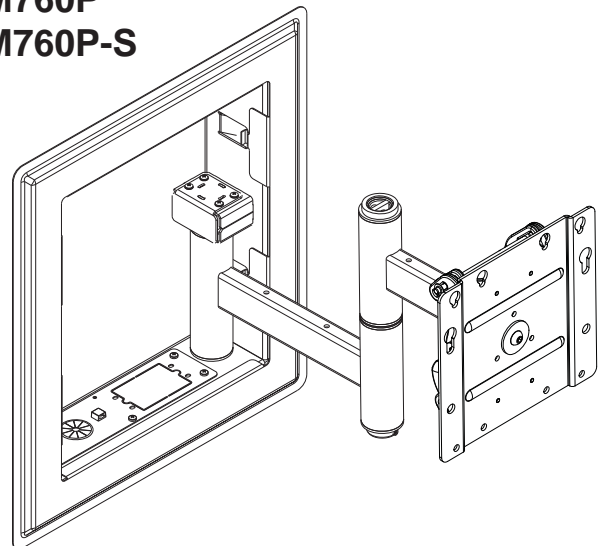
This product is intended for use with UL Listed products and must be installed by a qualified professional installer.

Maximum UL Load Capacity: 200 lb (91 kg)

**IM760PU
IM760PU-S**



**IM760P
IM760P-S**



NOTE: Read entire instruction sheet before you start installation and assembly.

WARNING

- Do not begin to install your Peerless product until you have read and understood the instructions and warnings contained in this Installation Sheet. If you have any questions regarding any of the instructions or warnings, please call Peerless customer care at 1-800-865-2112.
- This product should only be installed by someone of good mechanical aptitude, has experience with basic building construction, and fully understands these instructions.
- Make sure that the supporting surface will safely support the combined load of the equipment and all attached hardware and components.
- Never exceed the Maximum UL Load Capacity.
- If mounting to wood wall studs, make sure that mounting screws are anchored into the center of the studs. Use of an "edge to edge" stud finder is highly recommended.
- Always use an assistant or mechanical lifting equipment to safely lift and position equipment.
- Tighten screws firmly, but do not overtighten. Overtightening can damage the items, greatly reducing their holding power.
- This product was designed and intended to be mounted to the following supporting surfaces checked below with the hardware included in this product as specified in the installation sheet.
- This product is intended for indoor use only. Use of this product outdoors could lead to product failure and personal injury.
- This product was designed to be installed on the following wall construction only;

WALL CONSTRUCTION

ADDITIONAL HARDWARE REQUIRED

Wood Stud

None

Tools Needed for Assembly

- stud finder ("edge to edge" stud finder is recommended)
- phillips screwdriver
- drill
- 5/32" bit for wood stud wall
- level

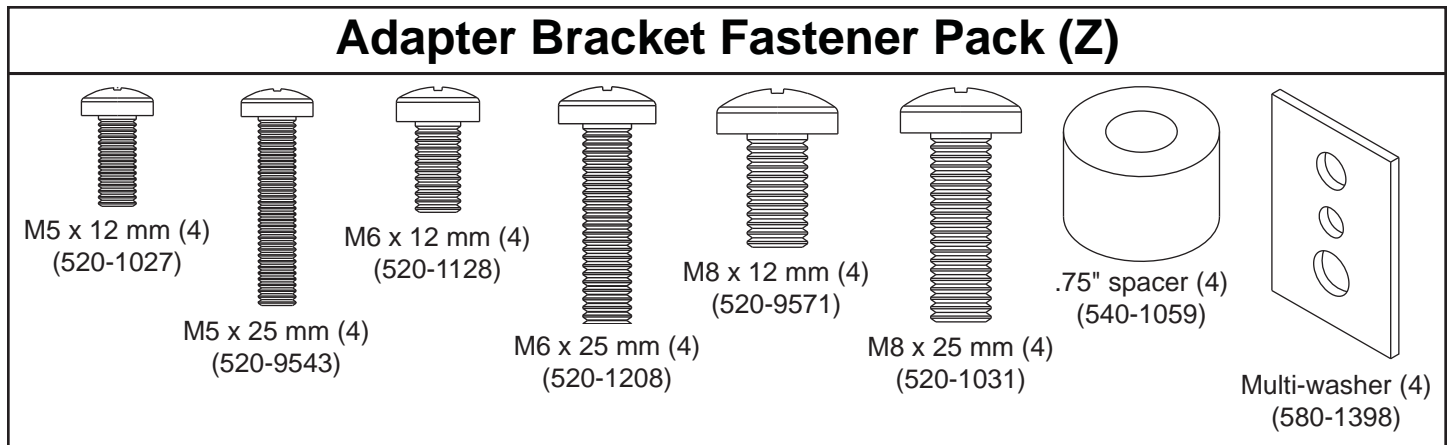
Table of Contents

Parts List.....	3, 4
Installation to Wood Stud Wall.....	5, 6
Installing Arm to In-wall Box	7
Disassemble Mounting Plate	8
Attaching Mounting Plate to Display with VESA Mounting Pattern	8
Attaching Adapter Plate to Display	9, 10
Installing and Removing Flat Panel Display	11
Adjusting Flat Panel Display	11
Cable Management	12

Before you begin, make sure all parts shown are included with your product.

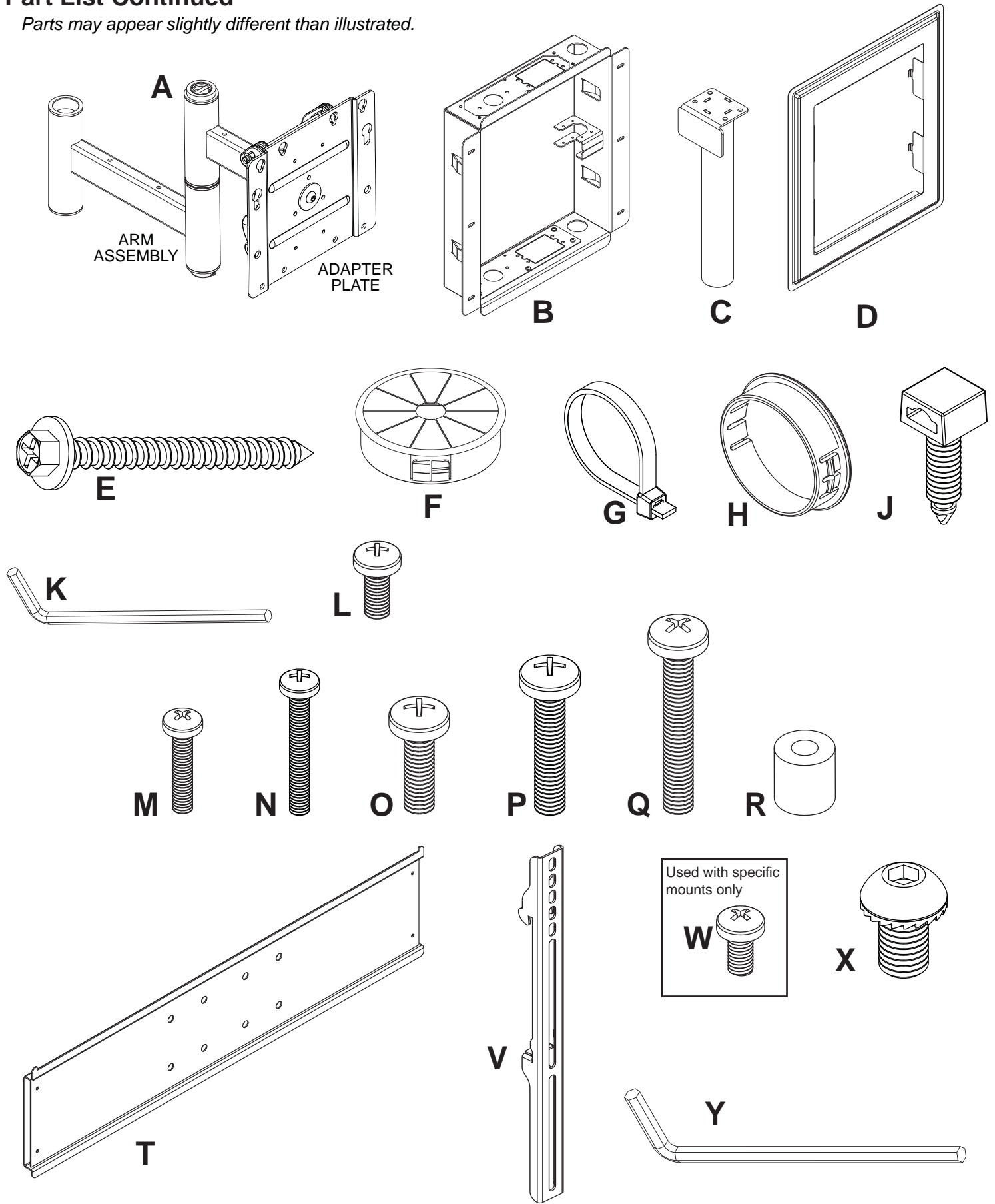
Parts List			IM760P	IM760P-S	IM760PU	IM760PU-S
Description	Qty.	Part #	Part #	Part #	Part #	Part #
A arm assembly	1	095-P1145	095-C4145	095-P1145	095-C4145	095-C4145
B in-wall box	1	095-P1989	095-C4989	095-P1989	095-C4989	095-C4989
C arm axle	1	095-P1519	095-C4519	095-P1519	095-C4519	095-C4519
D outer trim	1	095-P1517	095-C4517	095-P1517	095-C4517	095-C4517
E #14 x 2.5" wood screw	6	5S1-015-C03	5S1-015-C03	5S1-015-C03	5S1-015-C03	5S1-015-C03
F cable bushing	2	590-1295	590-1295	590-1295	590-1295	590-1295
G cable tie	8	590-1168	590-1168	590-1168	590-1168	590-1168
H plastic finishing cap	2	590-1123	590-1123	590-1123	590-1123	590-1123
J cable management clips	8	590-1166	590-1166	590-1166	590-1166	590-1166
K 4 mm allen wrench	1	560-0072	560-0072	560-0072	560-0072	560-0072
L M5 x 12 mm phillips screw	4	520-1027	520-2008	520-1027	520-2008	520-2008
M M4 x 20 mm phillips screw	4	504-9020	504-2014	N/A	N/A	N/A
N M4 x 30 mm phillips screw	4	520-1133	520-1133	N/A	N/A	N/A
O M6 x 20 mm phillips screw	4	520-9402	520-9402	N/A	N/A	N/A
P M6 x 30 mm phillips screw	4	510-9109	510-9109	N/A	N/A	N/A
Q M6 x 40 mm phillips screw	4	520-1584	520-1207	N/A	N/A	N/A
R retaining spacer	4	590-5005	590-5005	N/A	N/A	N/A
T universal adapter plate	1	N/A	N/A	201-P1110	201-C4110	201-C4110
V shallow adapter bracket	2	N/A	N/A	201-P1514	201-C4514	201-C4514
W M5 x 10 mm phillips screw	4	N/A	N/A	520-9250	520-9250	520-9250
X M10 x 17 mm serrated washer head	4	N/A	N/A	520-1105	520-7105	520-7105
Y 6 mm allen wrench	1	N/A	N/A	560-9716	560-9716	560-9716
Z adapter bracket fastener pack	1	N/A	N/A	200-8651-1	200-8651-1	200-8651-1

Parts may appear slightly different than illustrated.



Part List Continued

Parts may appear slightly different than illustrated.



Installation to Wood Stud Wall

- 1 In-wall box (B) can be installed between two 2" x 4" studs 16" off center. Use a stud finder to locate the edges of the stud. Use of an edge-to-edge stud finder is highly recommended. Based on its edges, draw vertical lines down the inside edges of stud's. Mark desired center of display between studs. Draw a horizontal line above desired center of display as indicated in figure 1.1 or 1.2. Draw a second horizontal line 16-5/8" (422mm) below this line to outline wall opening between inside edges of studs. Remove drywall inside cut outline.

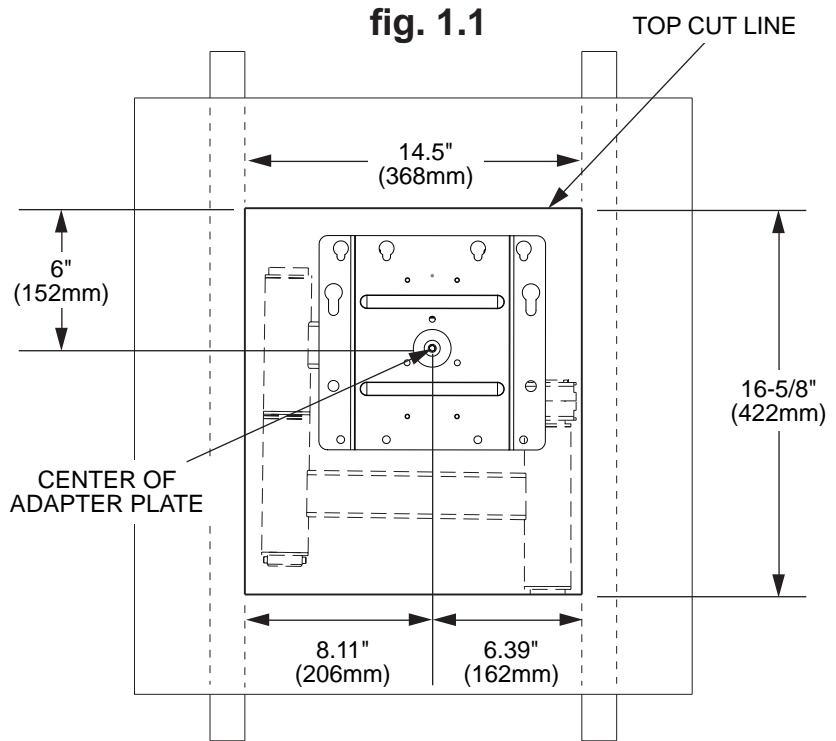
Display center with models IM760P and IM760P-S:

Center of adapter plate will be located 6" (152mm) below the top cut line.

NOTE: Center of adapter plate may not represent display center.

Placement of in-wall box will depend on the display center and location of display mounting holes in relation to adapter plate.

NOTE: Depending on right or left side mount orientation shown in figure 1.3 in step 1-1, display center will be 6.39" (162mm) from the inside edge of stud.

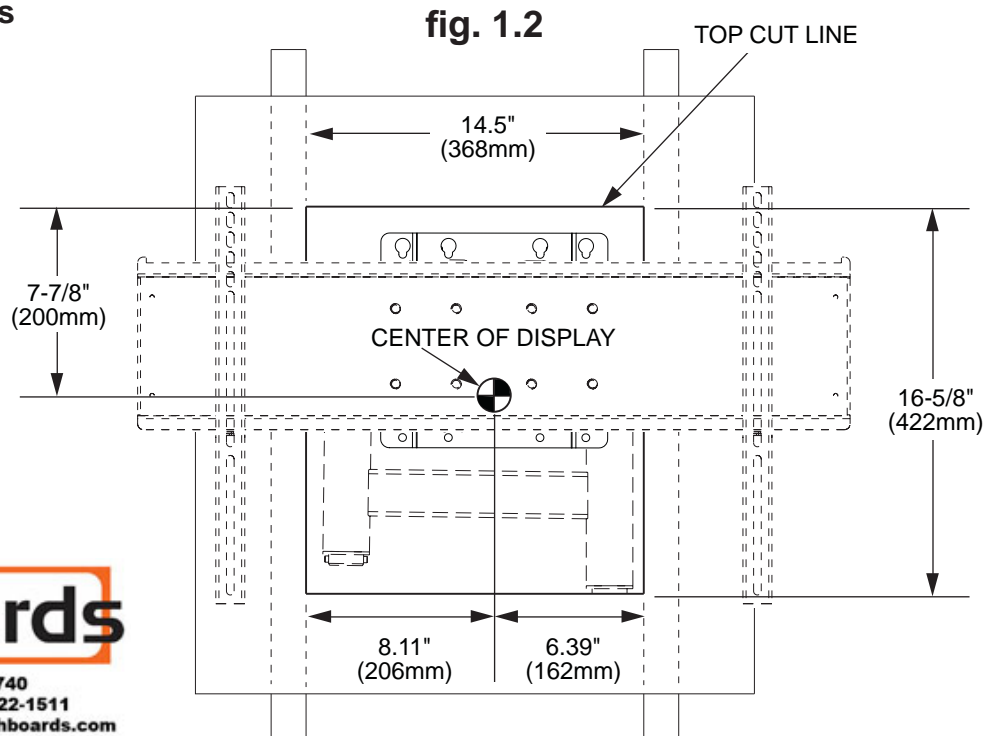


Display center with models IM760PU and IM760PU-S:

Center of display will be located 7-7/8" (200mm) below the top cut line.

NOTE: Depending on mount orientation shown in figure 1.3 in step 1-1, display center will be 6.39" (162mm) from the inside edge of stud.

NOTE: Depending on right or left side mount orientation shown in figure 1.3 in step 1-1, display center will be 6.39" (162mm) from the inside edge of stud.



Touchboards

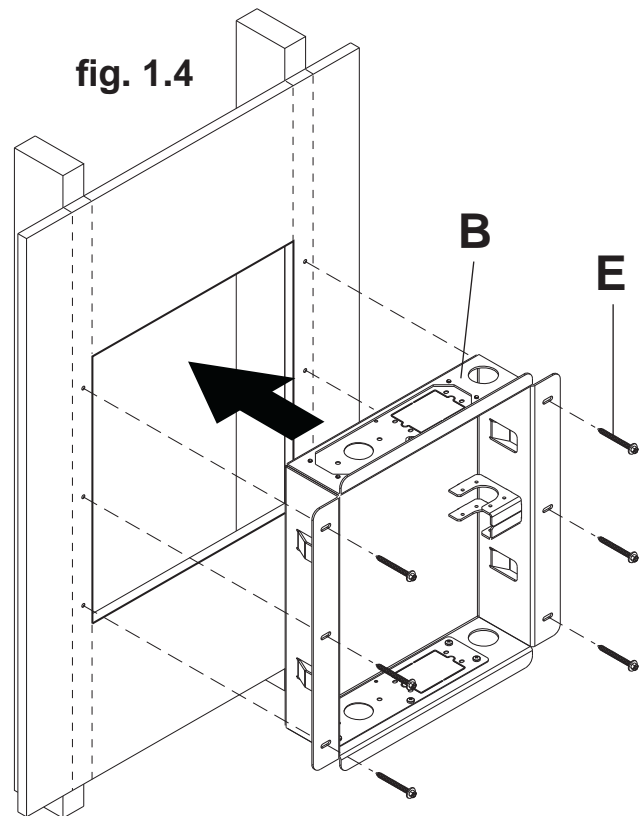
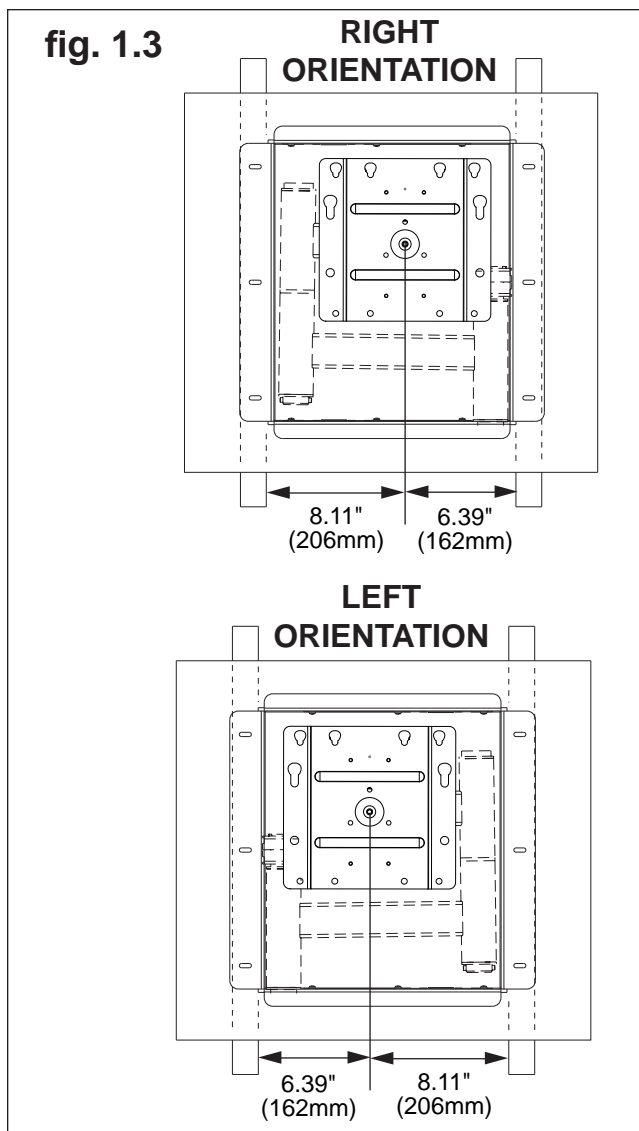
205 Westwood Ave, Long Branch, NJ 07740
 Phone: 866-94 BOARDS (26273) / (732)-222-1511
 Fax: (732)-222-7088 | E-mail: sales@touchboards.com

Installation to Wood Stud Wall (continued)

⚠ WARNING

- Installer must verify that the supporting surface will safely support the combined load of the equipment and all attached hardware and components.
- Tighten wood screws so that wall plate is firmly attached, but do not overtighten. Overtightening can damage the screws, greatly reducing their holding power.
- Never tighten in excess of 80 in. • lb (9 N.M.).
- Make sure that mounting screws are anchored into the center of the stud. The use of an "edge to edge" stud finder is highly recommended.
- Hardware provided is for attachment of mount through max 5/8" thick drywall or plaster into 2" x 4" wood studs. Installers are responsible to provide hardware for other types of mounting situations.
- Do not install this unit in a fire rated wall. If you are unsure, contact your building architect or local building department.

1-1 In-wall box can be flipped for left or right side mount orientation as shown in figure 1.3. Insert in-wall box (B) into cut-out. Level in-wall box, and mark the center of the six mounting holes. Drill six 5/32" (4mm) dia. holes 2-1/2" (64mm) deep. Make sure in-wall box is level, secure it using six #14 x 2-1/2" wood screws (E) as shown in figure 1.4.



Installing Arm to In-wall Box

2 Insert arm axle (C) through arm assembly (A) as shown in figure 2.1.

Position arm axle (C) and arm assembly (A) into axle support bracket of in-wall box (B) then seat arm axle through bottom hole of in-wall box as shown in figure 2.2.

Secure arm axle to in-wall box using four M5 x 12mm phillips screws (L) as shown in figure 2.3.

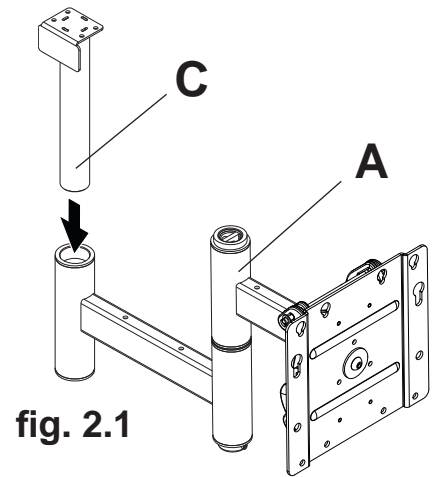


fig. 2.1

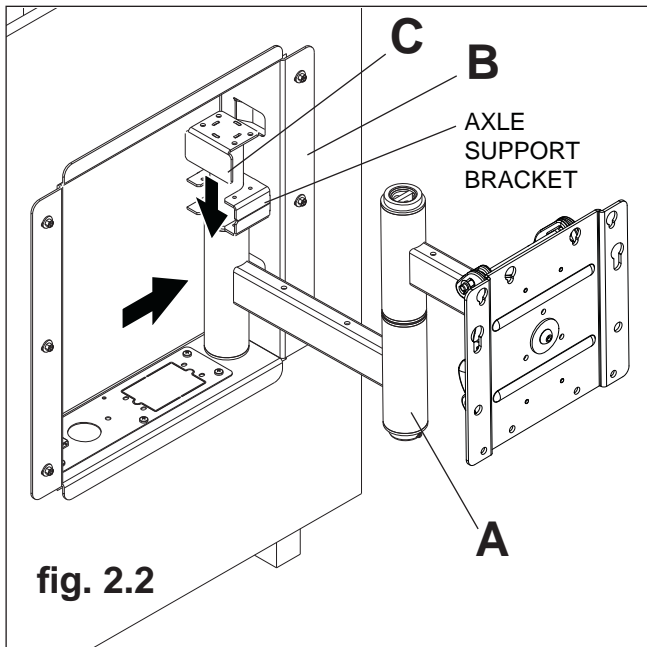


fig. 2.2

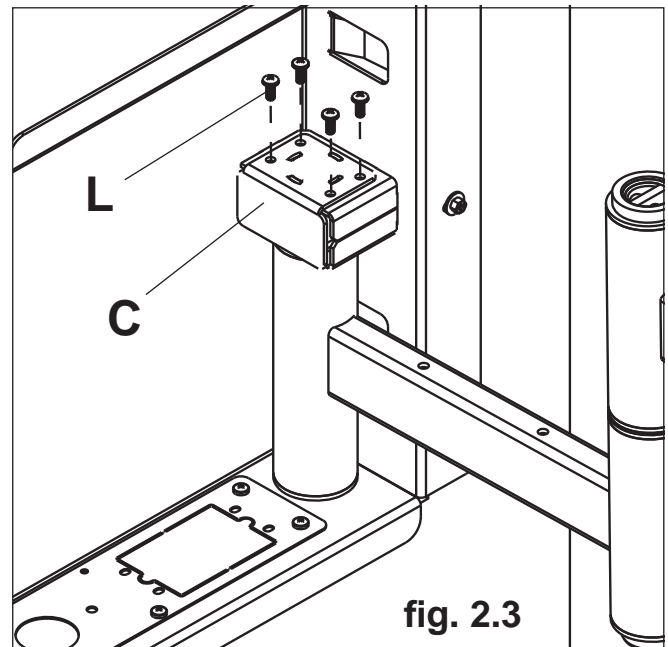


fig. 2.3

Installing Outer Trim

3 Insert tabs of outer trim (D) into notches of in-wall box (B) as shown in figure 3.1.

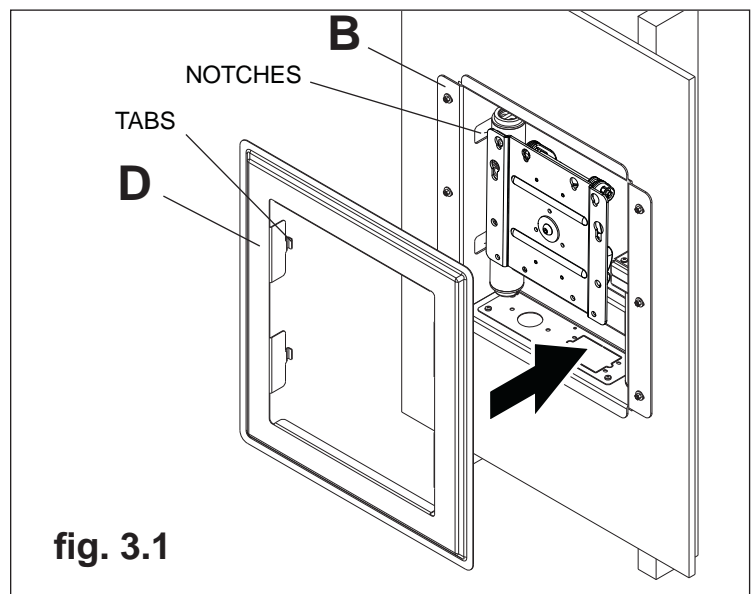


fig. 3.1

Attaching Adapter Plate to Display with VESA® Mounting Pattern

4 **NOTE:** For installing display using universal adapter plate, skip to step 5.
 Identify VESA mounting pattern on back of your display and choose hole pattern on adapter plate and required fasteners as shown in figure 4.2.

Secure adapter plate to back of display as shown in figure 4.1 using fasteners indicated in figure 4.2.

NOTE: If hole pattern is in a pocket and requires M4 screws, attach adapter plate to back of display using four M4 x 30mm screws (**N**) and four retaining spacers (**R**) as indicated in figure 4.1.

NOTE: Spacers may not be used, depending upon the type of display.

Skip to step 7

⚠ WARNING

- If screws don't get three complete turns in the display inserts or if screws bottom out and adapter plate is still not tightly secured, damage may occur to display or product may fail.
- Do not tighten screws with excessive force. Overtightening can cause damage to mount.
- Do not lift more weight than you can handle. Use additional man power or mechanical lifting equipment to safely handle placement of the display.

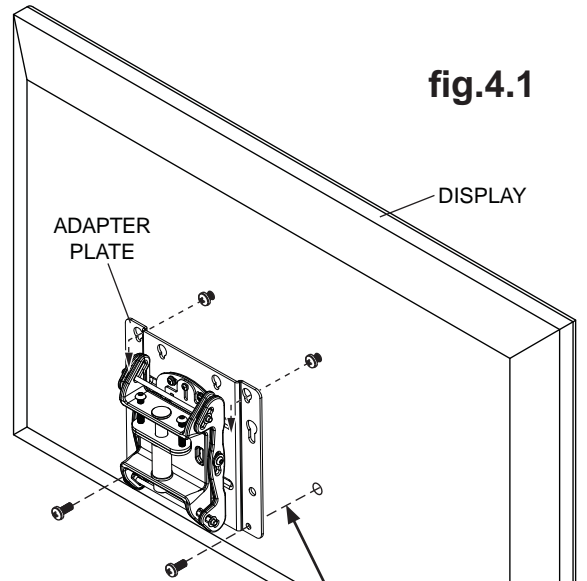


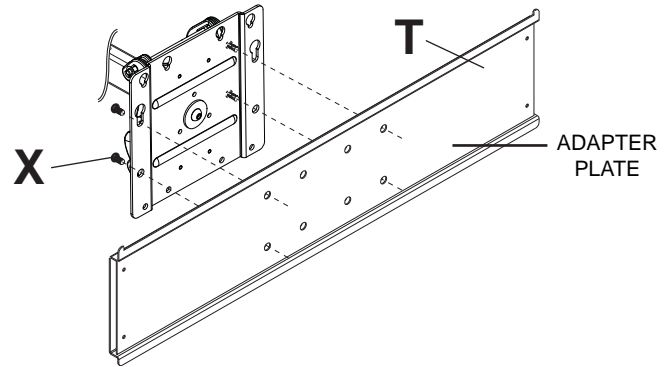
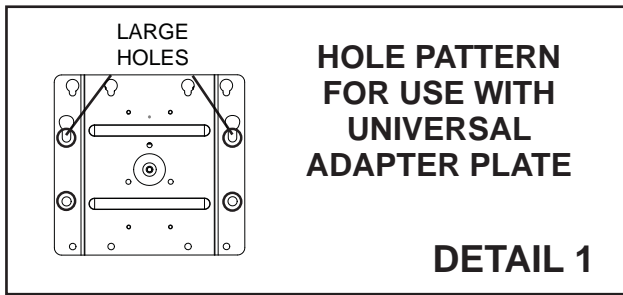
fig.4.1

NOTE: For displays with a hole pattern in a pocket, spacers go between adapter plate and display when using M4 x 30mm screws.

Mounting Patterns	
<p style="text-align: center;">VESA® 100 x 200</p> <p style="text-align: center;">M4 x 20mm screws (M) or M4 x 30mm screws (N) with spacer (R)</p>	<p style="text-align: center;">VESA® 200 x 200</p> <p style="text-align: center;">M6 x 20mm (O), M6 x 30mm (P) or M6 x 40mm screws (Q)</p>
fig. 4.2	

Installing Universal Adapter Plate to Display

- 5** Using the hole pattern shown in detail 1, attach the adapter plate to universal adapter plate (T) with four M10 x 17mm screws (X) as shown. Tighten screws using 6mm allen wrench (Y).



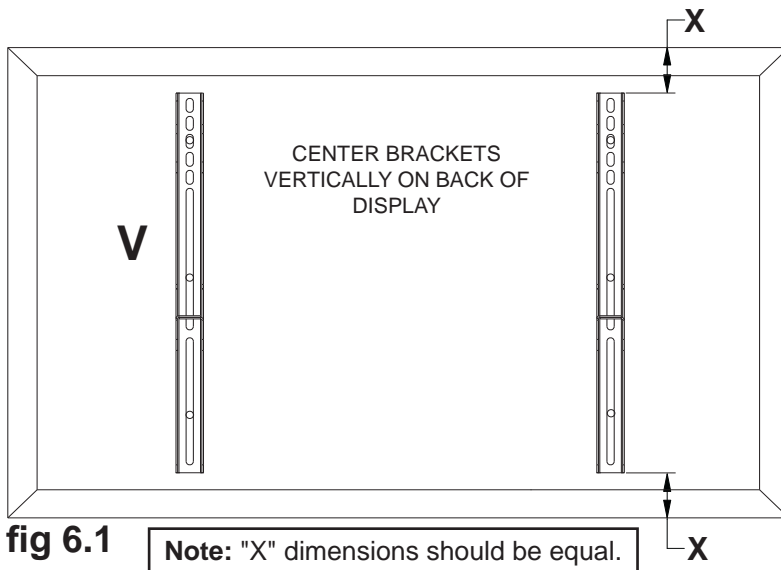
⚠ WARNING

- Tighten screws so display brackets are firmly attached to display. Do not tighten with excessive force. Overtightening can cause stress damage to screws, greatly reducing their holding power and possibly causing screw heads to become detached. Tighten to 40 in. • lb (4.5 N.M.) maximum torque.
- If screws don't get three complete turns in the display inserts or if screws bottom out and bracket is still not tightly secured, damage may occur to display or product may fail.

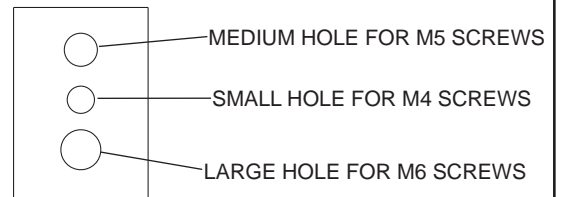
- 6-1** To prevent scratching the display, set a cloth on a flat, level surface that will support the weight of the display. Place display face side down. If display has knobs on the back, remove them to allow the adapter brackets to be attached. Place adapter brackets (V) on back of display, align to holes, and center on back of display as shown in figure 6.1. Attach the adapter brackets to the back of the display using the appropriate combination of screws, multi-washers, and spacers as shown in figure 6.2 or figure 6.3.

NOTE: Top and bottom holes must always be used.

Verify that all holes are properly aligned, and then tighten screws using a phillips screwdriver.



MULTI-WASHER



Notes:

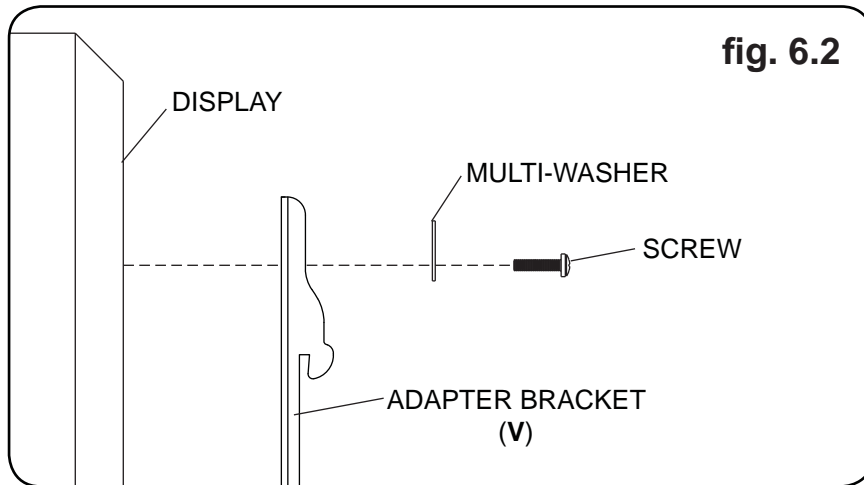
- The number of fasteners used will vary, depending upon the type of display.
- Multi-washers and spacers may not be used, depending upon the type of display.
- Use the corresponding hole in the multi-washer that matches your screw size.

NOTE: For **flat back displays** proceed to step 6-2. For **bump-out or recessed back display** skip to step 6-3

For Flat Back Display

6-2 Begin with the shortest length screw, hand thread through multi-washer and adapter bracket into display as shown below. Screw must make at least three full turns into the mounting hole and fit snug into place. Do not over tighten. If screw cannot make three full turns into the display, select a longer length screw from the baffled fastener pack. Repeat for remaining mounting holes, level brackets and tighten screws.

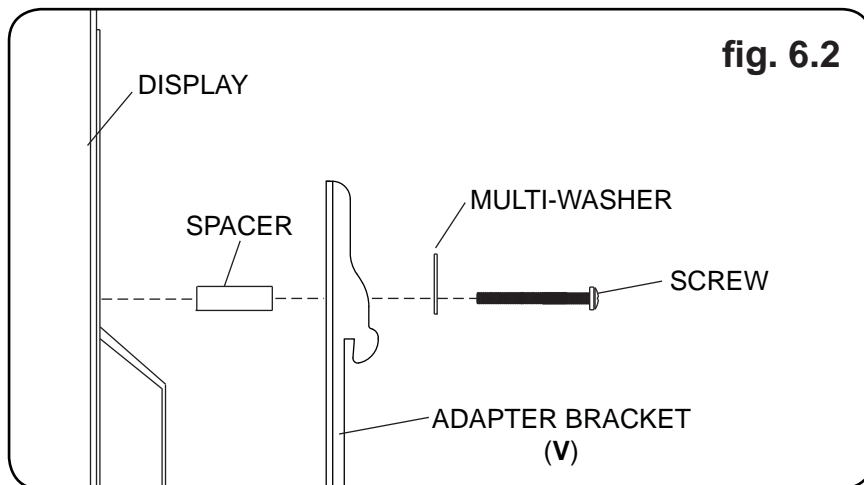
NOTE: Spacers may not be used, depending upon the type of display.



If you have any questions, please call Peerless customer care at 1-800-865-2112.

For Bump-out or Recessed Back Display

6-3 Begin with longer length screw, hand thread through multi-washer, adapter bracket and spacer in that order into display as shown below. Screw must make at least three full turns into the mounting hole and fit snug into place. Do not over tighten. If screw cannot make three full turns into the display, select a longer length screw from the baffled fastener pack. Repeat for remaining mounting holes, level brackets and tighten screws.



If you have any questions, please call Peerless customer care at 1-800-865-2112.

Adjustment of Flat Panel Display

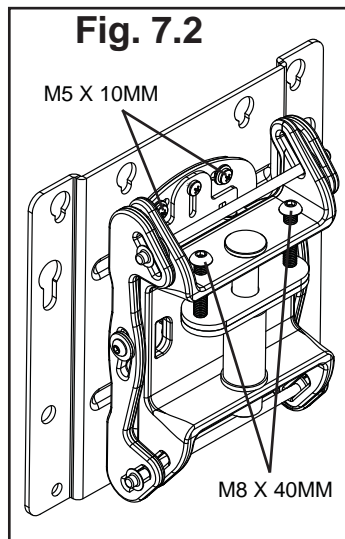
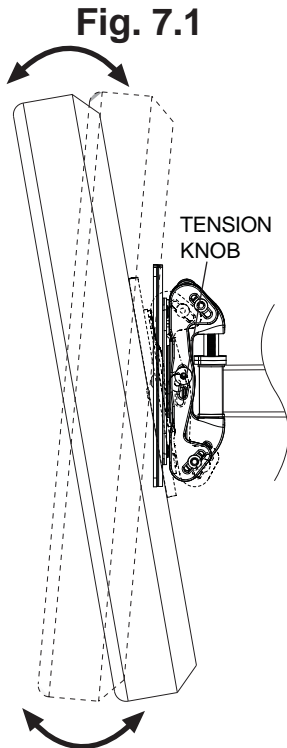
7 TILT Adjustment: Adjust tension knob on side of mount to desired tension to enable tilt adjustment and balance your display size and weight as shown in figure 7.1. Push or pull from top or bottom of display to adjust tilt as shown. The tilt can be adjusted to a maximum of 10° forward or 5° backward. Retighten tension knob.

ROLL Adjustment: Loosen M5 x 25mm screws using 4mm allen wrench (K). Rotate display either 5° clockwise or counter-clockwise, level display then tighten M5 x 25mm screws using 4mm allen wrench (K) as shown in figure 7.2.

FOR VERTICAL HEIGHT ADJUSTMENT: Tighten or loosen two M8 x 40mm screws an equal number of turns to achieve ± 1" of vertical height adjustment as shown in detail 1.

CAUTION

- Do not tighten screws with excessive force.
- Be careful not to pinch fingers when opening and closing mount from the wall.

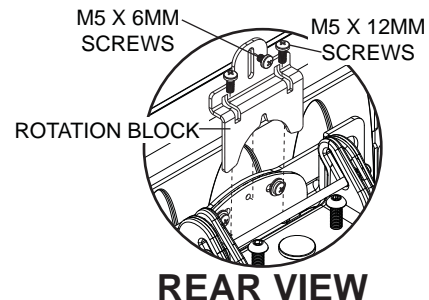
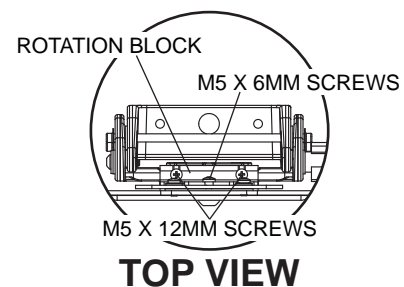
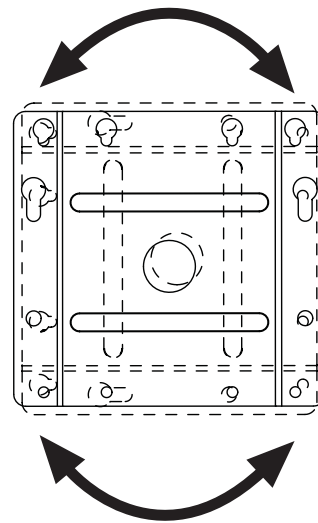


Adjustment of Flat Panel Display

8 FOR PORTRAIT OR LANDSCAPE Display ORIENTATION: Remove two M5 x 12mm screws, one M5 x 6mm screw and rotation block from top of tilt head as shown in top view and rear view. Gently grasp sides of display and rotate display into portrait or landscape position as shown and reinstall rotation block with two M5 x 12mm screws and one M5 x 6mm screw. **NOTE:** M5 x 6mm screw required in landscape orientation only.

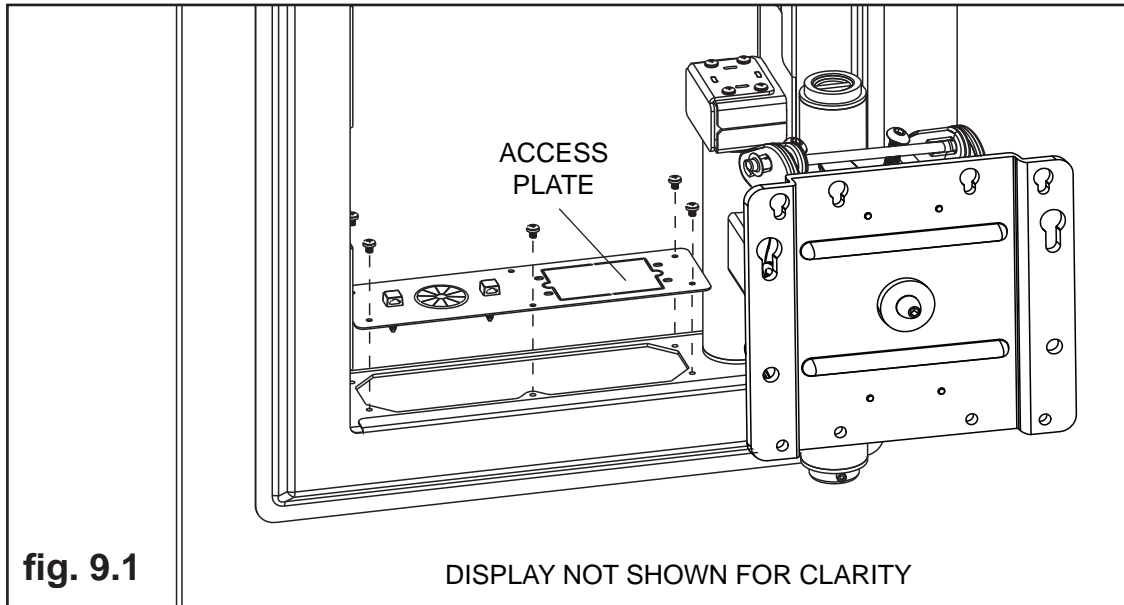
WARNING

- M10 x 15mm screws (E) must be securely tightened before changing orientation of wall arm assembly (A). Failure to lock adapter bracket can cause display to come off of mount.



Cable Management

- 9 For optional installation of UL listed single receptacle electrical box, access plates located on the bottom or top of in-wall box can be temporarily removed to install electrical box as shown in figure 9.1.

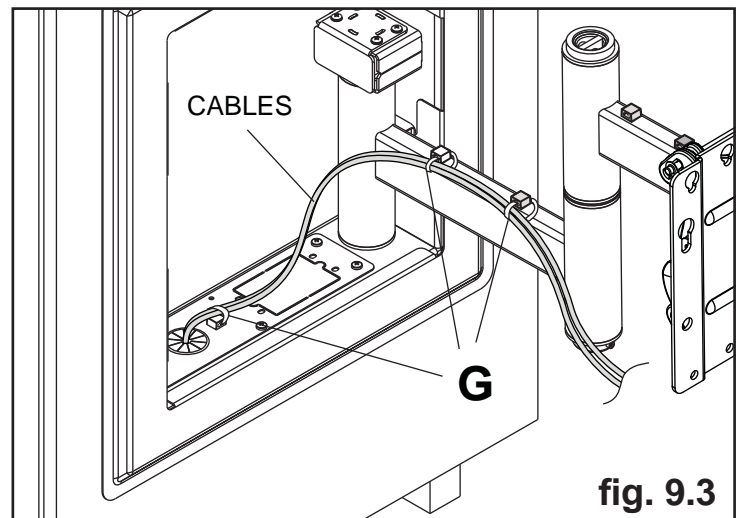
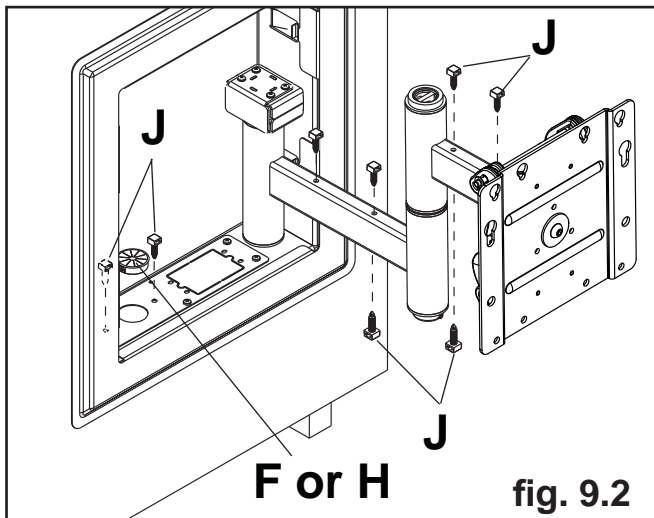


- 9-1 Insert up to eight cable management clips (J) into the desired positions in the arm assembly and in-wall box as shown in figure 9.2 for routing cables.

Insert cable bushing (F) into top or bottom hole of in-wall box for routing cables through in-wall box. Plastic finishing caps (H) can be used in holes where cables are not being routed.

NOTE: Make sure cables have enough slack to allow full movement of the arm.

Use cable ties (G) to secure cables to cable management clips as shown in figure 9.3.



DISPLAY NOT SHOWN FOR CLARITY

Touchboards

205 Westwood Ave, Long Branch, NJ 07740
Phone: 866-94 BOARDS (26273) / (732)-222-1511
Fax: (732)-222-7088 | E-mail: sales@touchboards.com