

LG-WMF86BH



Display size
86"



Max load
80lb (36kg)

Flat Wall Mount

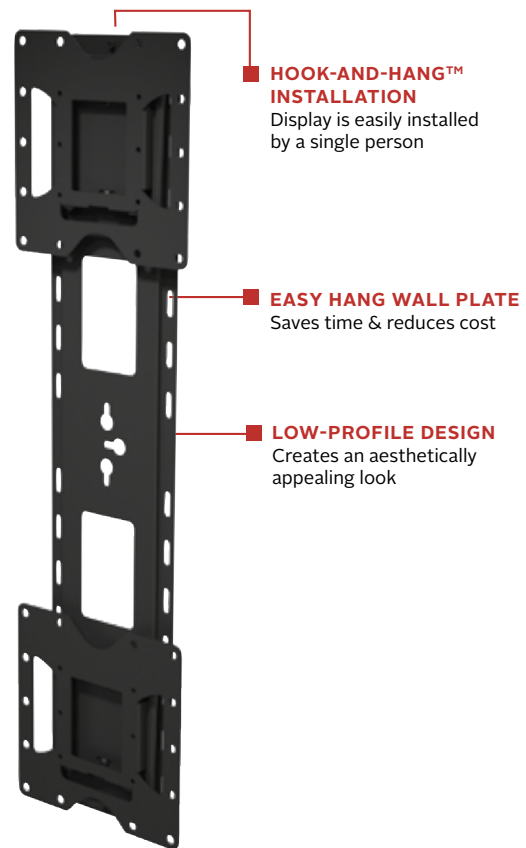
FOR THE LG ULTRA STRETCH SIGNAGE 86BH5C

Optimize your dynamic digital content with Peerless-AV's versatile Flat Wall Mount, designed exclusively for the LG Ultra Stretch Signage 86BH5C. This low-profile mount accentuates the sleek look of the one-of-a-kind Ultra Stretch display and can be mounted in either landscape or portrait orientation. Ideal for a wide array of applications, including transportation terminals, retail stores, banks or museums, the LG-WMF86BH is the ultimate digital signage solution.

Choose between landscape or portrait orientation when mounting the Ultra Stretch 86BH5C.

Additional Features

- ✓ Custom mount designed specifically for the LG Ultra Stretch 86BH5C
- ✓ Low-profile design holds display only 0.97" (25mm) from the wall
- ✓ Landscape or portrait configuration
- ✓ Coated in scratch-resistant fused epoxy

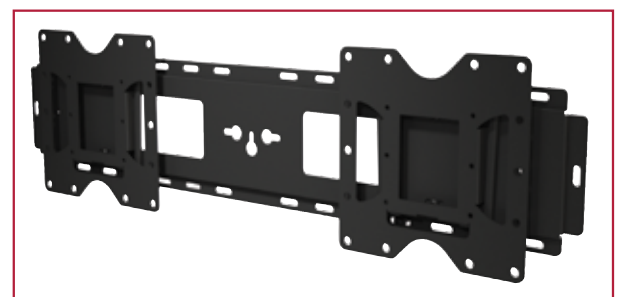


**HOOK-AND-HANG™
INSTALLATION**
Display is easily installed
by a single person

EASY HANG WALL PLATE
Saves time & reduces cost

LOW-PROFILE DESIGN
Creates an aesthetically
appealing look

Portrait Orientation



Landscape Orientation



RoHS
2002/95/EC

LG-WMF86BH Flat Wall Mount for the LG Ultra Stretch Signage 86BH5C

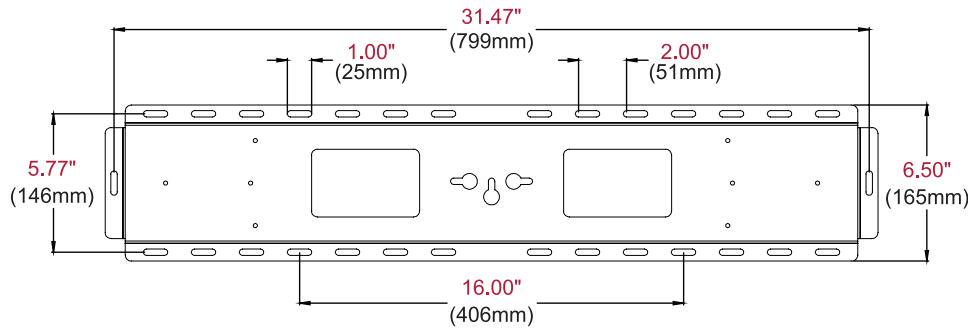
Product Specifications

	DIMENSIONS (W x H x D)	PRODUCT WEIGHT	LOAD CAPACITY	FINISH	AVAILABLE COLORS
LG-WMF86BH	31.47" x 8.75" x 0.97" (799 x 222 x 25mm)	9.65lb (4.38kg)	80lb (36kg)	Powder Coat	Gloss Black

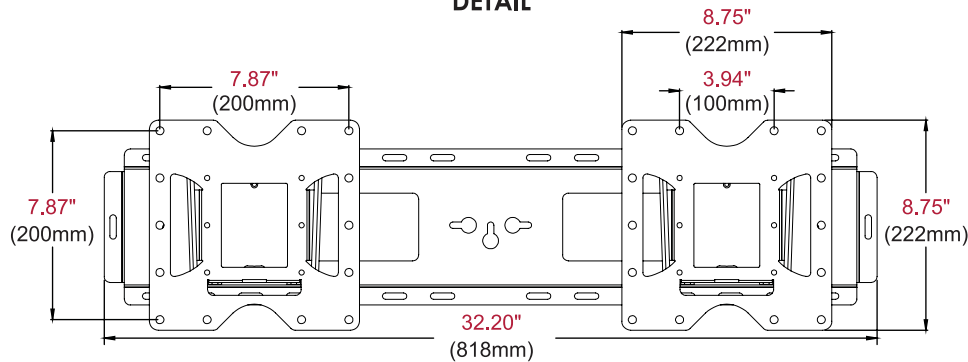
Package Specifications

	PACKAGE SIZE (W x H x D)	PACKAGE SHIP WEIGHT	PACKAGE UPC CODE	PACKAGE CONTENTS	UNITS IN PACKAGE
LG-WMF86BH	38.00" x 11.88" x 4.00" (965 x 302 x 102mm)	12.25lb (5.56kg)	735029312444	Wall Mount, Wall and Display Installation Hardware, Installation Instructions	1

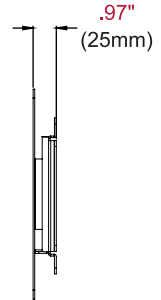
All dimensions = inch (mm)



**WALL PLATE
DETAIL**



FRONT VIEW



SIDE VIEW

Architect Specifications

The Flat Wall Mount for the LG Ultra Stretch Signage 86BH5C display shall be a Peerless-AV model LG-WMF86BH and shall be located where indicated on the plans. Assembly and installation shall be done according to instructions provided by the manufacturer.

Visit peerless-av.com to see the complete line of AV solutions from Peerless-AV, including outdoor displays, wireless, kiosks, digital audio, display mounts, projector mounts, carts/stands, and a full assortment of accessories.

Peerless-AV
2300 White Oak Circle
Aurora, IL 60502 USA
(800) 865-2112
(630) 375-5100
Fax: (800) 359-6500

Peerless-AV Europe
Unit 3 Watford Interchange
Colonial Way, Watford
Herts, WD24 4WP
United Kingdom
+44 (0) 1923 200100
Fax: +44 (0) 1923 200101

Peerless-AV de México
Ave de las Industrias 413
Parque Industrial Escobedo
Escobedo, N.L.,
Mexico 66050
+52 (81) 8384-8300
Fax: +52 (81) 8384-8360

