

MOD-ACF(-W)

Accessory Cover

For Modular Series Flat Panel Display and Projector Mounts,
Square Ceiling Plate (MOD-CPF)

The Peerless-AV Modular Mounts Line features a full range of products that can fulfill multiple requirements from a limited number of SKUs. With the universality of the components, configure your own perfect custom flat-panel display or projector mounting solution for any application.

The Modular Mount Line was developed with the professional AV installer in mind. Designed around a 2" (50mm) diameter pole, the line is ideal for new projects as well as for upgrading existing installations.

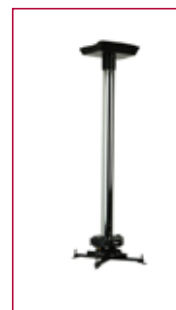
The MOD-ACF Accessory Cover serves as an aesthetic and secure solution for covering the Modular Series Square Ceiling Plate (MOD-CPF).

FEATURES

- Accessory cover for Modular Series Square Ceiling Plate, MOD-CPF

Touchboards

205 Westwood Ave, Long Branch, NJ 07740
Phone: 866-94 BOARDS (26273) / (732)-222-1511
Fax: (732)-222-7088 | E-mail: sales@touchboards.com



Shown with
Modular Series
Projector Mount



Shown with
Modular Series
Flat Panel Mount



MOD-ACF(-W) Accessory Cover for Modular Series Flat Panel Display and Projector Mounts, Square Ceiling Plate (MOD-CPF)

Product Specifications

	DIMENSIONS (W x H x D)	PRODUCT WEIGHT	LOAD CAPACITY	FINISH	AVAILABLE COLORS
MOD-ACF(-W)	7.01" x 1.22" x 8.08" (178 x 31 x 205mm)	1.00lb (0.45kg)	NA	Power coat	MOD-ACF: Black MOD-ACF-W: White

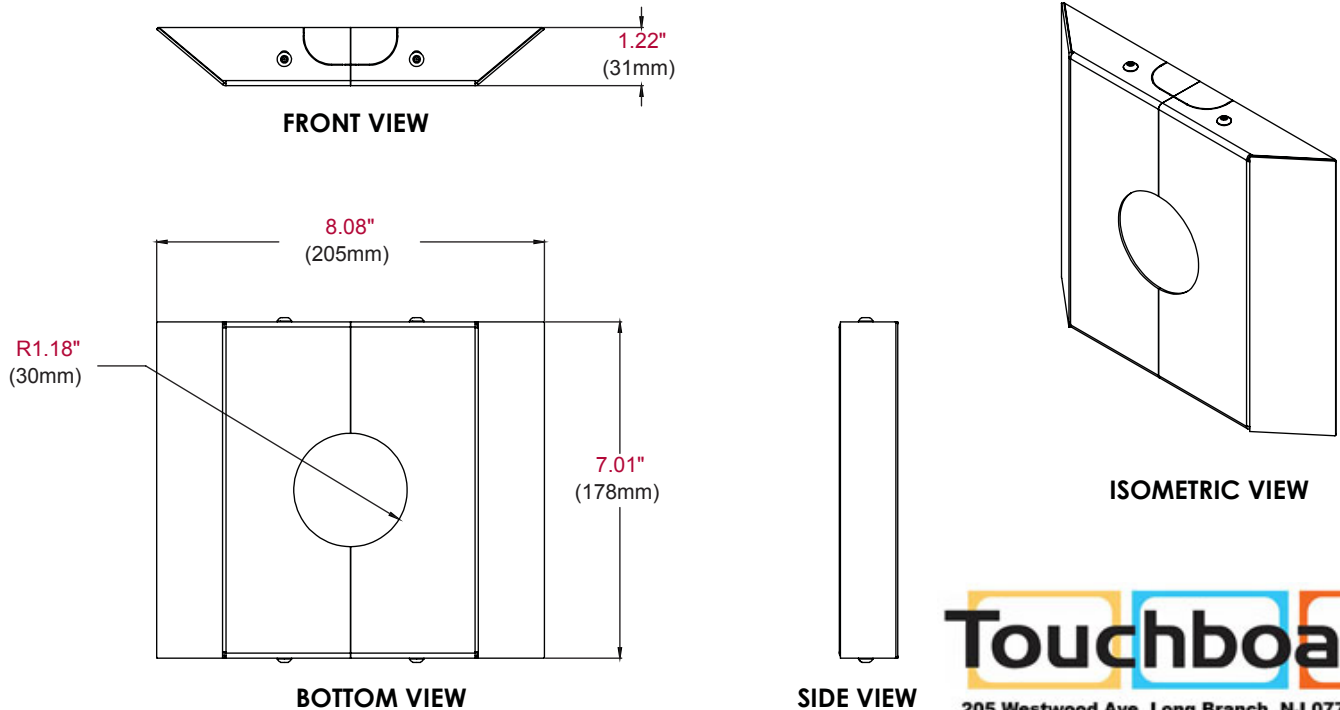
Package Specifications

	PACKAGE SIZE (W x H x D)	PACKAGE SHIP WEIGHT	PACKAGE UPC CODE	PACKAGE CONTENTS	UNITS IN PACKAGE
MOD-ACF(-W)	6.25" x 9.62" x 6.00" (158 x 244 x 152mm)	1.85lb (0.83kg)	MOD-ACF: 735029279327 MOD-ACF-W: 735029279334	Two covers, attachment hardware	1

Accessories

- MOD-ADF:** Accessory Drill Fixture for 50mm Pole
- MOD-APC:** Accessory Pole Coupler
- MOD-APRG(-W):** Accessory Projector Adaptor, PRG Mount
- MOD-APRS(-W):** Accessory Projector Adaptor, PRS Mount
- MOD-ASC:** Accessory Display-Stacking Clamp
- MOD-ATD-W:** Accessory Trim Disc
- MOD-AUB:** Accessory U-Bolt Adaptor
- MOD-CPC(-W):** Ceiling Plate, Cathedral
- MOD-CPF:** Square Ceiling Plate, Flat (7.4" x 6.8")
- MOD-CPI:** I-Beam Ceiling Plate, Flat
- MOD-FPMD:** Flat Panel Mount, Dual Back-To-Back
- MOD-FPMS(-W):** Flat Panel Mount, Single
- MOD-P100(-B):** 50mm Extension Pole - 39" (1.0m)
- MOD-P150(-B):** 50mm Extension Pole - 59" (1.5m)
- MOD-P200(-B):** 50mm Extension Pole - 78" (2.0m)
- MOD-P300(-B):** 50mm Extension Pole - 118" (3.0m)
- MOD-UNL:** Universal Display Adaptor, Large
- MOD-UNM:** Universal Display Adaptor, Medium

All dimensions = inch (mm)



Touchboards
 205 Westwood Ave, Long Branch, NJ 07740
 Phone: 866-94 BOARDS (26273) / (732)-222-1511
 Fax: (732)-222-7088 | E-mail: sales@touchboards.com

ARCHITECTS SPECIFICATIONS

The Accessory Cover shall be a Peerless-AV model MOD-ACF and shall be located where indicated on the plans. Assembly and installation shall be done according to instructions provided by the manufacturer.