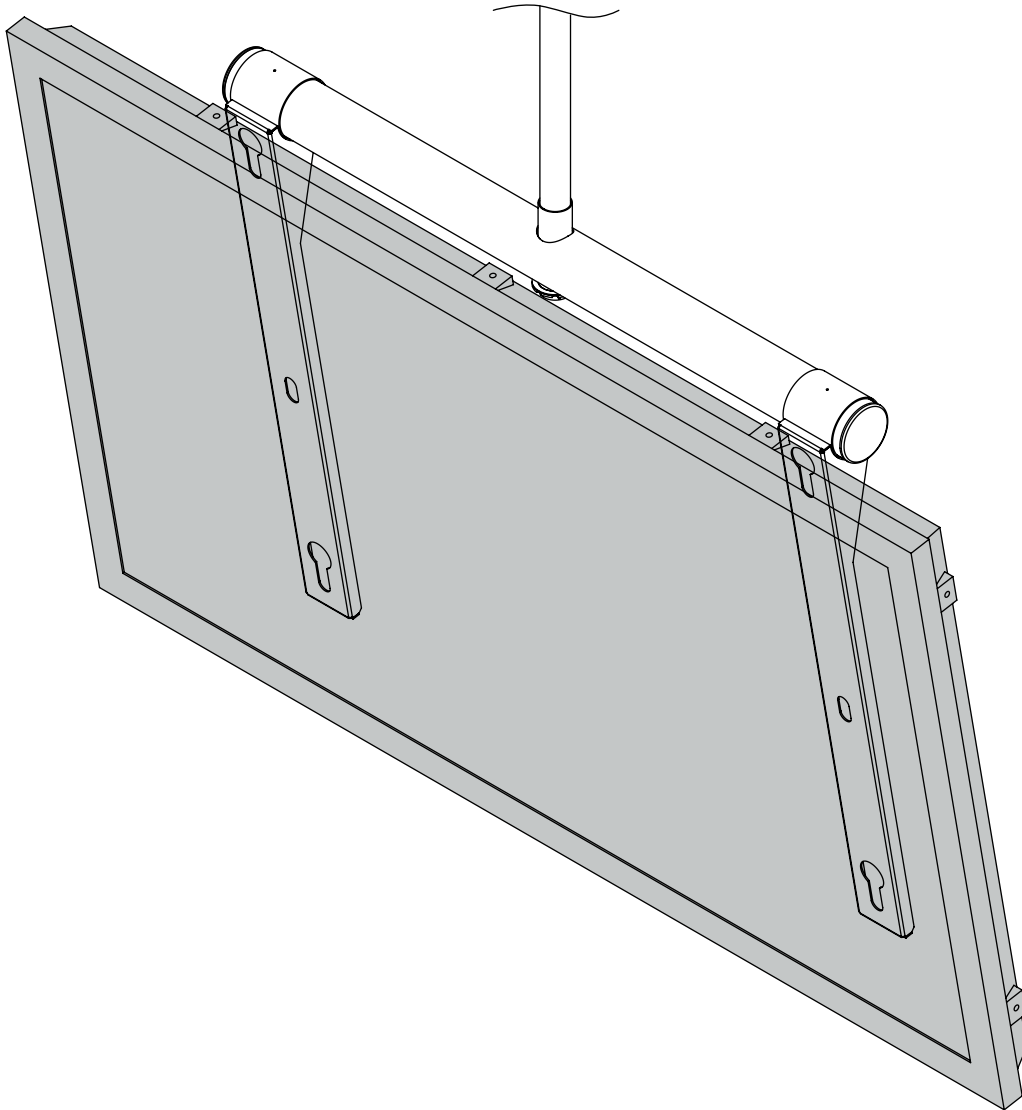




205 Westwood Ave, Long Branch, NJ 07740
Phone: 866-94 BOARDS (26273) / (732)-222-1511
Fax: (732)-222-7088 | E-mail: sales@touchboards.com

Installation and Assembly: Ceiling Mount for Panasonic TH-85PF12U and TH-85VX200U

Model: PANA-85CEIL

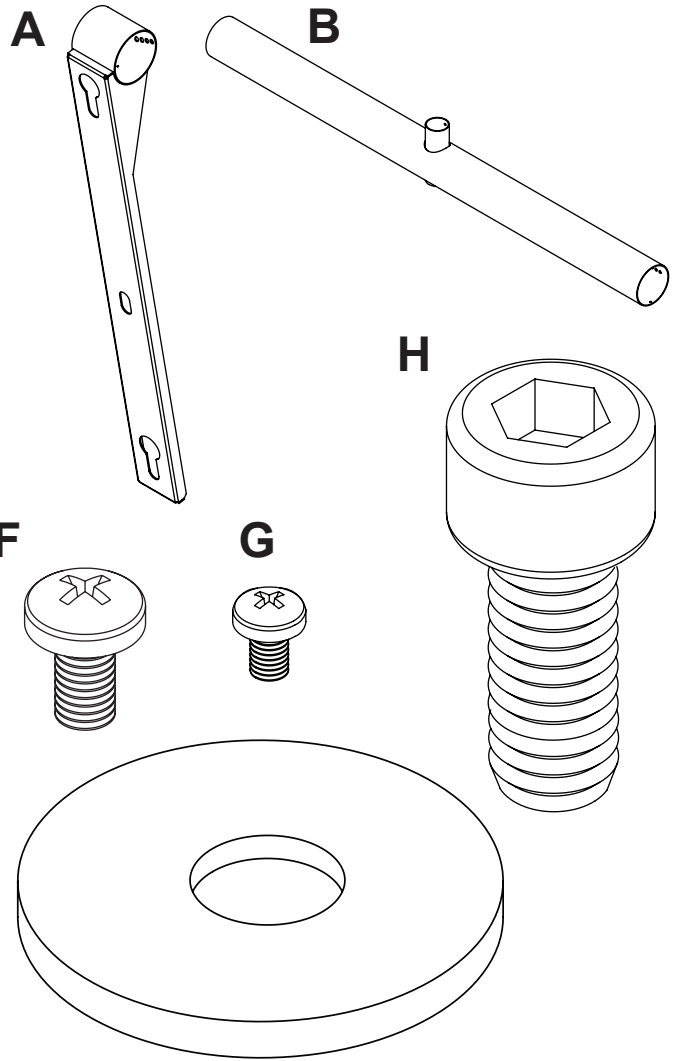


PANA-85CEIL is not compatible with
AEC006009, and AEC012018 Models.

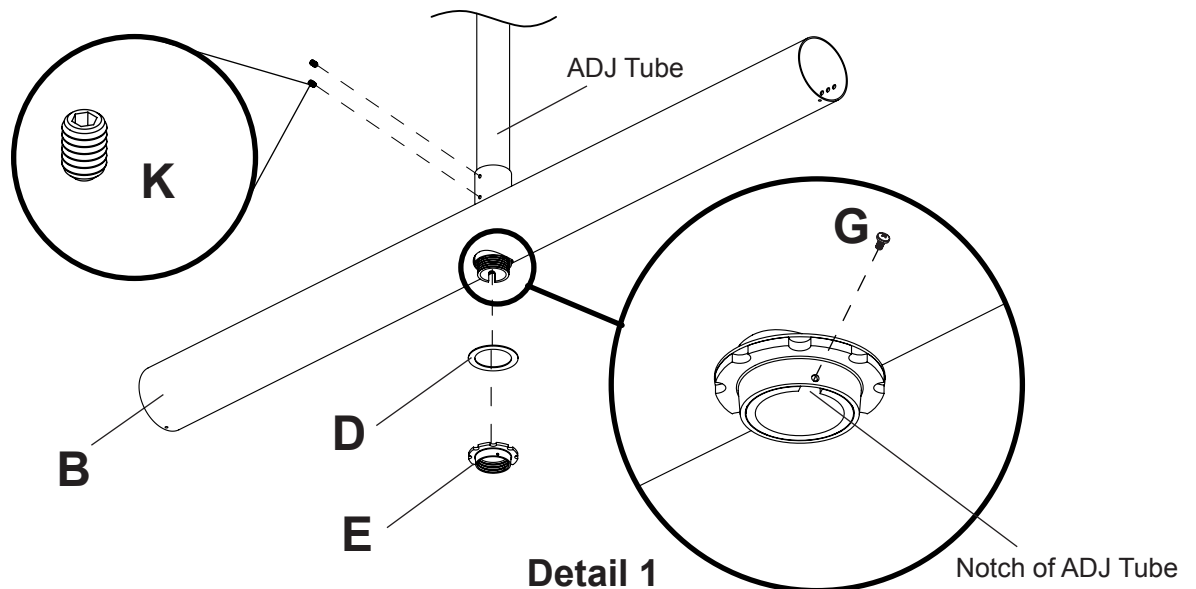
Maximum Load Capacity:
300 lb (136 kg)

Parts List

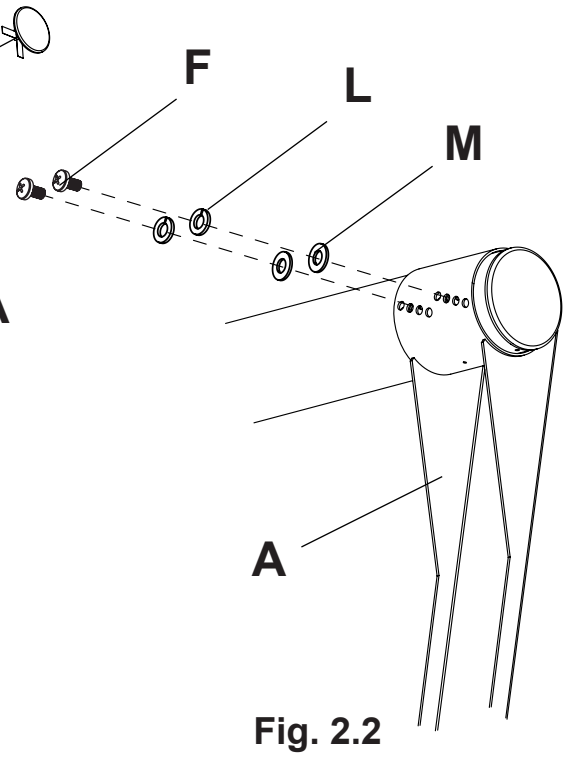
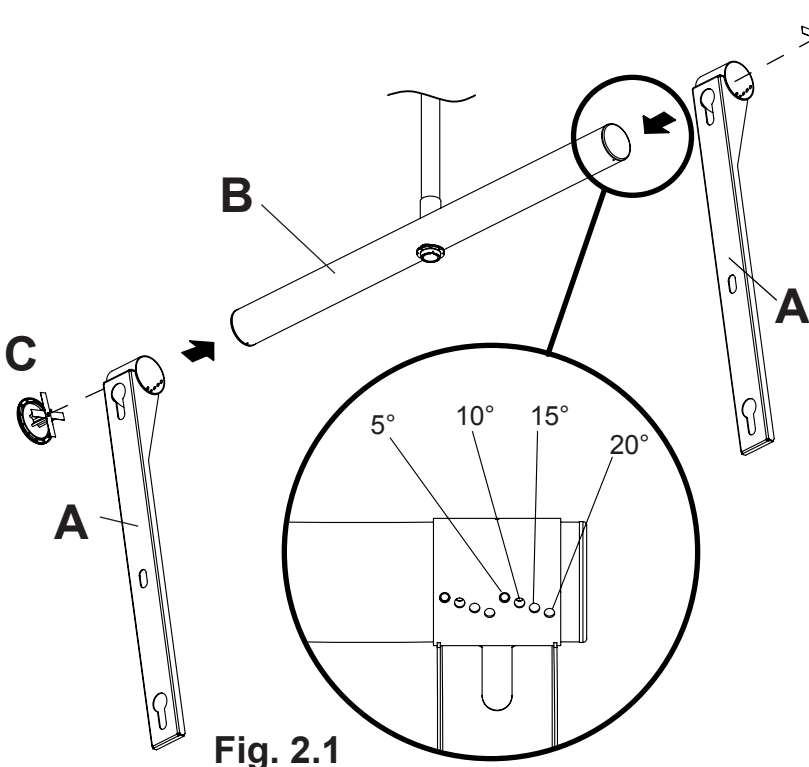
Description	Qty.	Part #
A tilt bracket	2	100-1026
B cross support tube	1	100-1023
C end cap	2	590-1333
D fiber washer	1	540-9432
E retaining collar	1	1800-375
F M8 x 16 mm phillips screw	4	520-9257
G M5 x 8 mm phillips screw	3	570-0005
H M16 x 30 mm socket screw	2	520-1346
I M16 split washer	2	540-2058
J washer	2	540-2061
K M6 x 6 mm set screw	2	510-9150
L 5/16 split washer	4	540-9405
M 5/16 flat washer	4	540-9406



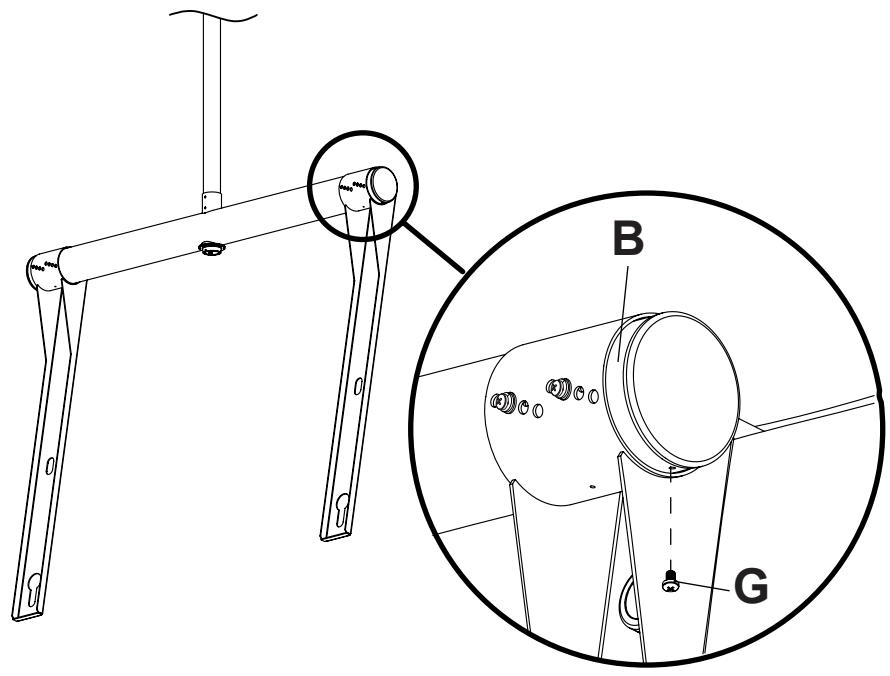
- 1** Secure ADJ tube (sold separately) to cross support (B) using retaining collar (E), fiber washer (D), and one M5 x 8 mm phillips screw (G).
 Restrict swivel using two M6 x 6 mm set screws (K).
NOTE: Make sure that M5 x 8 mm phillips screw is positioned inside of notch of ADJ tube as shown in detail 1.



- 2** Secure tilt brackets (**A**) to cross support tube (**B**) using four M8 x 16 mm phillips screws (**F**), 5/16 split washers (**L**), and 5/16 flat washers (**M**) in desired tilt position as shown in fig. 2.1 and 2.2. Once tilt is established secure two end caps (**C**) to cross support tube (**B**).



- 3** Secure two M5 x 8 mm phillips screws (**G**) to ends of cross support tube (**B**) as shown below.

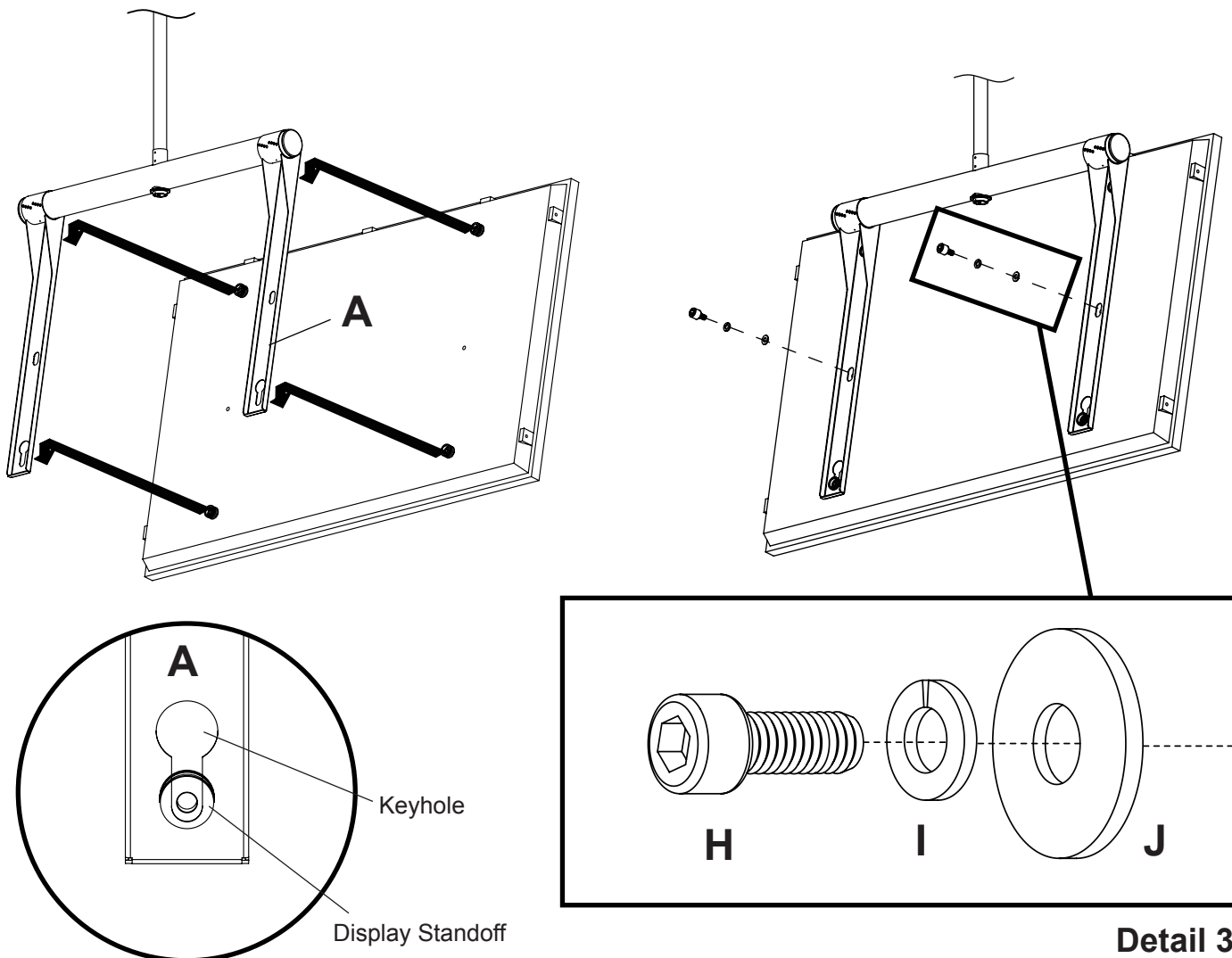


4

Hook display standoffs into keyhole slots onto tilt brackets (A).

NOTE: Make sure that standoffs fall to the bottom of keyhole as shown in detail 2.

Secure display to tilt bracket (A) using two M16 x 30 mm socket screws (H), M16 split washers (I), and washers (J) as shown in detail 3.



Detail 2

Detail 3

Touchboards

205 Westwood Ave, Long Branch, NJ 07740

Phone: 866-94 BOARDS (26273) / (732)-222-1511

Fax: (732)-222-7088 | E-mail: sales@touchboards.com