

PLAV70-UNL  
 PLAV70-UNLP(-GB)  
 PLAV70

# PLA Series Articulating Dual Wall Arm with Vertical Adjustment

For 42" to 95" Displays

Designed to handle the heaviest displays, the PLAV70 features dual-arm, all-steel construction that holds displays up to 95" and weighing up to 200lb. The PLAV70's self-lubricating bushings enable your display to smoothly articulate, while adjustable tilt and pivot allow you to position your display for the optimal viewing angle. Swing, tilt and extend your display, even in and out of recessed cubby holes and custom frames with the vertical adjustment feature that provides the capability to raise or lower your display for a perfectly aligned installation.



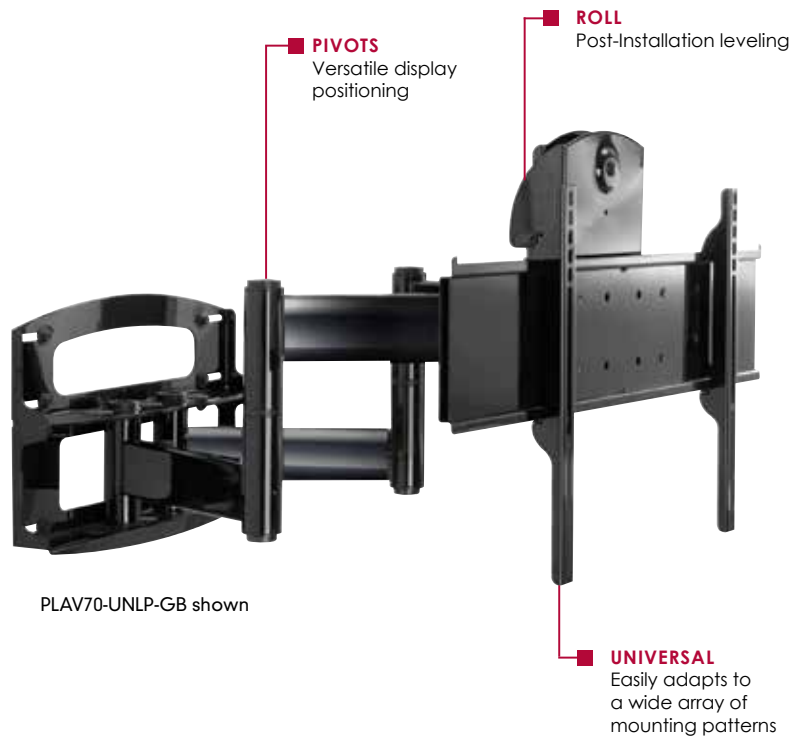
Display size: 42"-95"



Max load: 200lb (90kg)

## FEATURES

- Arm extends up to 32.52" (826mm) from wall
- Up to 180° swivel
- +10/-5° of tilt
- ±7° of roll for post installation display leveling
- ±1" (24mm) vertical adjustment located within reach behind display
- Universal models accommodate 42" to 95" displays with mounting hole patterns up to 730 x 405mm (28.75"W x 15.95"H)
- Includes mesh cord sheath and cable ties to neatly manage cables
- Three horizontal arm positions at 2.6" (66mm) centers for flexible lateral display placement



PLAV70-UNLP-GB shown



±1" (24mm) vertical adjustment located within reach behind display



Includes mesh cord sheath and cable ties to neatly manage cables



205 Westwood Ave, Long Branch, NJ 07740  
 Phone: 866-94 BOARDS (26273) / (732)-222-1511  
 Fax: (732)-222-7088 | E-mail: sales@touchboards.com



<b>PLAV70-UNL</b>	Universal Articulating Dual Wall Arm with Vertical Adjustment for 42" to 95" Displays (security models)
<b>PLAV70-UNLP(-GB)</b>	Universal Articulating Dual Wall Arm with Vertical Adjustment for 42" to 95" Displays (standard models)
<b>PLAV70</b>	Dedicated* Articulating Dual Wall Arm with Vertical Adjustment for 42" to 95" Displays (security models)

**Product Specifications**

\*Requires display-specific adaptor to be purchased separately.

	DIMENSIONS (W x H x D)	PRODUCT WEIGHT	LOAD CAPACITY	FINISH	AVAILABLE COLORS
<b>PLAV70-UNL/-UNLP(-GB)</b>	33.50" x 16.89" x 5.52"-32.52" (851 x 429 x 140-826mm)	63lb (28.6kg)	200lb (90kg)	Scratch resistant fused epoxy	PLAV70-UNL: Black PLAV70-UNLP: Black PLAV70-UNLP-GB: Gloss black PLAV70: Black
<b>PLAV70</b>	19.75" x 21.67" x 4.50"-29.30" (502 x 550 x 114-744mm)	50.5lb (22.9kg)			

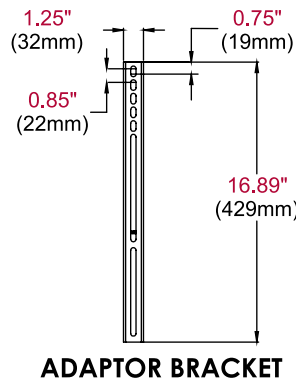
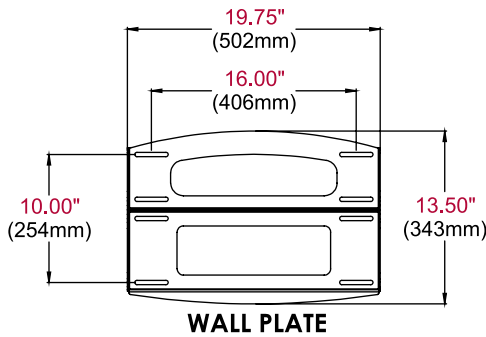
**Package Specifications**

	PACKAGE SIZE (W x H x D)	PACKAGE SHIP WEIGHT	PACKAGE UPC CODE	PACKAGE CONTENTS	UNITS IN PACKAGE
<b>PLAV70-UNL/-UNLP(-GB)</b>	34.69" x 23.63" x 8" (881.1 x 600 x 203mm)	72.4lb (32.9kg)	PLAV70-UNL: 735029243359 PLAV70-UNLP: 735029243373 PLAV70-UNLP-GB: 735029247135 PLAV70: 735029243199	PLAV70-UNL/-UNLP(-GB): Articulating arm, wall plate, mesh cord sheath, cable ties, universal adaptor plate, mounting and display attachment hardware	1
<b>PLAV70</b>	34.69" x 23.63" x 8" (881.1 x 600 x 203mm)	58.5lb (26.5kg)		PLAV70: Articulating arm, wall plate, mesh cord sheath, snap-cover cable channels and mounting hardware	

**Accessories**

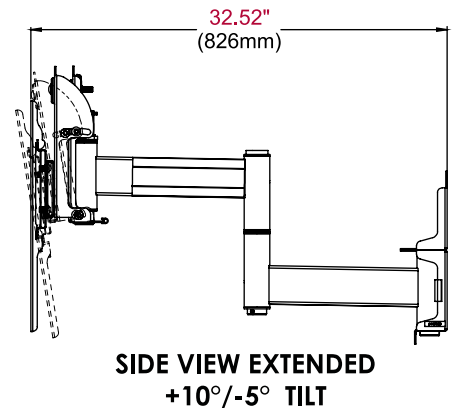
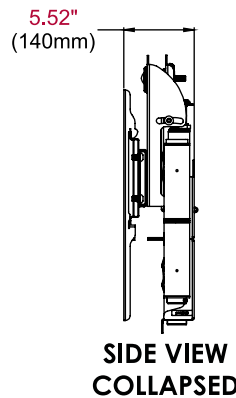
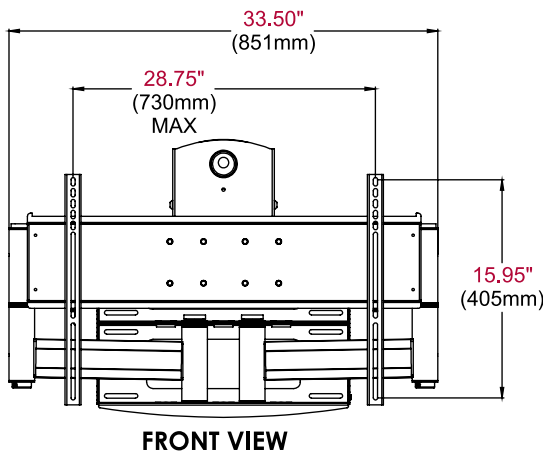
- WSP716:** Metal Stud Wall Plate (Triple stud on 16" centers)
- WSP724:** Metal Stud Wall Plate (Triple stud on 16"-24" centers)

All dimensions = inch (mm)



**Touchboards**  
 205 Westwood Ave, Long Branch, NJ 07740  
 Phone: 866-94 BOARDS (26273) / (732)-222-1511  
 Fax: (732)-222-7088 | E-mail: sales@touchboards.com

Universal Model Shown



**ARCHITECTS SPECIFICATIONS**

The Articulating Dual Wall Arm with Vertical Adjustment shall be Peerless-AV PLAV70/PLAV70-UNL/ PLAV70-UNLP(-GB) models and shall be located where indicated on the plans. It shall be constructed of heavy gauge cold rolled steel with 10° adjustable forward and 5° backward tilt. It shall feature +/- 7 degrees of roll. The finish shall be scratch resistant Black or Gloss Black Fused Epoxy. Assembly and installation shall be done according to instructions provided by the manufacturer.

Peerless Industries, Inc. ■ 2300 White Oak Circle ■ Aurora, IL 60502 ■ (800) 865-2112 ■ (630) 375-5100 ■ Fax: (800) 359-6500 ■ peerless-av.com

Visit peerless-av.com to see the complete line of AV solutions from Peerless-AV, including flat panel mounts, projector mounts, carts/stands, furniture, cables, display cleaners and a full assortment of accessories.