

## SMARTMOUNT.

# Ceiling Mounts

WITH CEILING PLATE & TILT BOX FOR UP TO 90" DISPLAYS

### PLCM-1 PLCM-1CP



Display size  
up to 90"



Max load  
**150lb (68.2kg)**

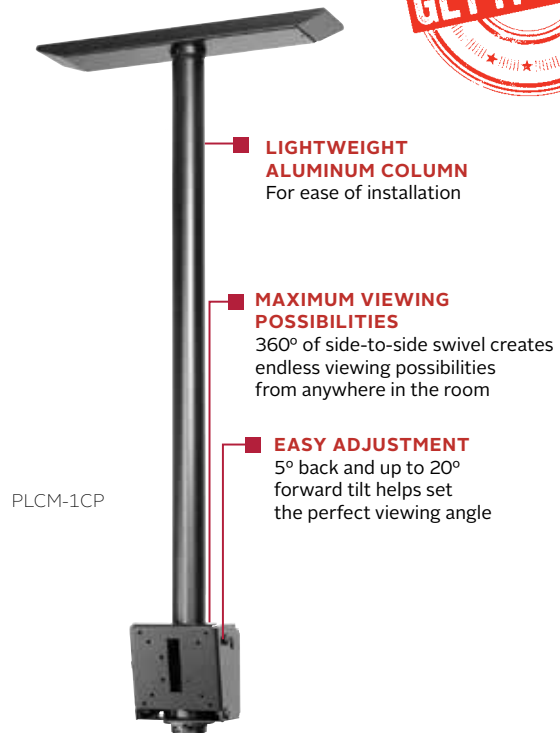
The SmartMount® PLCM-1(CP) Ceiling Mounts utilize 1.5" NPT extension pipes for versatility, support, and connection. The 1.5" NPT threaded pipes make it simple to customize each mount to your specific application. The PLCM-1 kit combines the PLCM-2 tilt box and an EXT103 fixed length 1.5" NPT column, to deliver a drop of 36", -5°/+20° of adjustable tilt and 360° of swivel. When combined with a Peerless-AV® ceiling plate, and a universal or fixed display adaptor plate, it creates the perfect combination for flat panel ceiling mounting in sports facilities, airports, lobbies, or retail environments.

*PLCM's 360° of side-to-side swivel helps create the best viewing angle from anywhere in the room.*



### Additional Features

- ✓ -5° to 20° adjustable tilt and 360° swivel
- ✓ Peerless-AV EXT103 Aluminum Extension Column included, providing a 36" drop
- ✓ Simple hook-on display installation
- ✓ Integrated cable management protects, contains and conceals cables for a clean, professional installation
- ✓ VESA® 75 x 75 and 100 x 100mm mounting pattern provided (display mounting hardware not included)
- ✓ Additional display mounting adaptor plates available (sold separately)
- ✓ Landscape or portrait orientation



VESA® 200 x 100 and 200 x 200mm adaptor plate ACC450, sold separately



Universal I-Shaped Adaptor plates PLP-UNM and PLCM-UNL, sold separately



Dedicated Adaptor Plates. PLP-V models, sold separately



<b>PLCM-1CP</b>	SmartMount® Ceiling Mount with ceiling plate & tilt box for up to 90" Displays
<b>PLCM-1</b>	SmartMount® Ceiling Mount with tilt box for up to 90" Displays

**Product Specifications**

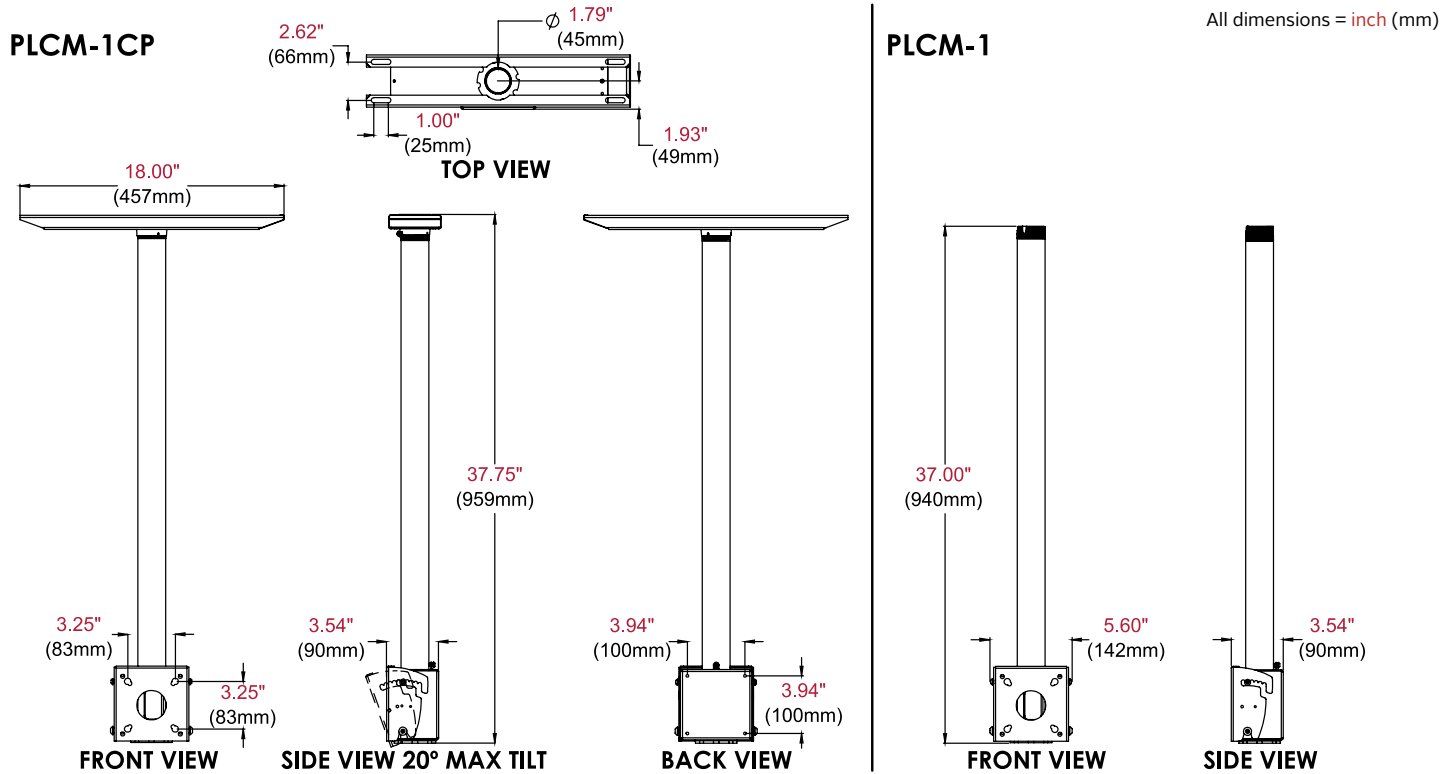
	DIMENSIONS (W x H x D)	PRODUCT WEIGHT	LOAD CAPACITY	FINISH	AVAILABLE COLORS
<b>PLCM-1</b>	5.60" x 37.00" x 3.54" (142 x 940 x 90mm)	5.3lb (2.4kg)	150lb (68.2kg)	Powder Coat	Black
<b>PLCM-1CP</b>	18.00" x 37.75" x 3.54" (457 x 959 x 90mm)	7.8lb (3.5kg)			

**Package Specifications**

	PACKAGE SIZE (W x H x D)	PACKAGE SHIP WEIGHT	PACKAGE UPC CODE	PACKAGE CONTENTS	UNITS IN PACKAGE
<b>PLCM-1</b>	46.25" x 7.75" x 3.63" (1175 x 197 x 90mm)	8.3lb (3.8kg)	735029209171	EXT103 Extension column, PLCM-2 tilt box & instructions	1
<b>PLCM-1CP</b>	46.80" x 8.63" x 3.88" (1189 x 219 x 99mm)	12.3lb (5.6kg)	735029209188	CMJ470 Ceiling plate with mounting hardware, EXT103 extension column, PLCM-2 tilt box & instructions	

**Accessories**

- ACC, CMJ, DCS, DCT Models:** Ceiling Plates
- AEC Models:** Adjustable Length Extension Columns
- EXT Models:** Fixed Length Extension Columns
- PLP-UNM:** Universal I-Shaped Adaptor for 22" to 50" Displays
- PLP-UNL:** Universal I-Shaped Adaptor for 32" to 90" Displays
- PLCM-4:** Stackable Tilt Box for up to 90" Displays
- ACC450:** Adaptor Bracket for up 22" to 40" Displays
- PLP-V models:** Dedicated Display Adaptor
- ACC918:** VESA® 75 x 75 & 100 x 100mm Security Fasteners



**Architect Specifications**

The Smartmount® Ceiling Mount shall be a Peerless-AV model PLCM-1(CP) and shall be located where indicated on the plans. Assembly and installation shall be done according to instructions provided by the manufacturer.

Visit [peerless-av.com](http://peerless-av.com) to see the complete line of AV solutions from Peerless-AV, including outdoor displays, wireless, kiosks, digital audio, display mounts, projector mounts, carts/stands, and a full assortment of accessories.

**Peerless-AV**  
 2300 White Oak Circle  
 Aurora, IL 60502 USA  
**(800) 865-2112**  
**(630) 375-5100**  
**Fax: (800) 359-6500**

**Peerless-AV Europe**  
 Unit 3 Watford Interchange  
 Colonial Way, Watford  
 Herts, WD24 4WP  
 United Kingdom  
**+44 (0) 1923 200100**  
**Fax: +44 (0) 1923 200101**

**Peerless-AV de México**  
 Ave de las Industrias 413  
 Parque Industrial Escobedo  
 Escobedo, N.L.,  
 Mexico 66050  
**+52 (81) 8384-8300**  
**Fax: +52 (81) 8384-8360**

