

PRG3-EXA/-EXB/-EXC(-W)



Max load
55lb (24.9kg)

SMARTMOUNT.

Precision Gear Projector Mount

FOR FLUSH OR EXTENDED APPLICATIONS

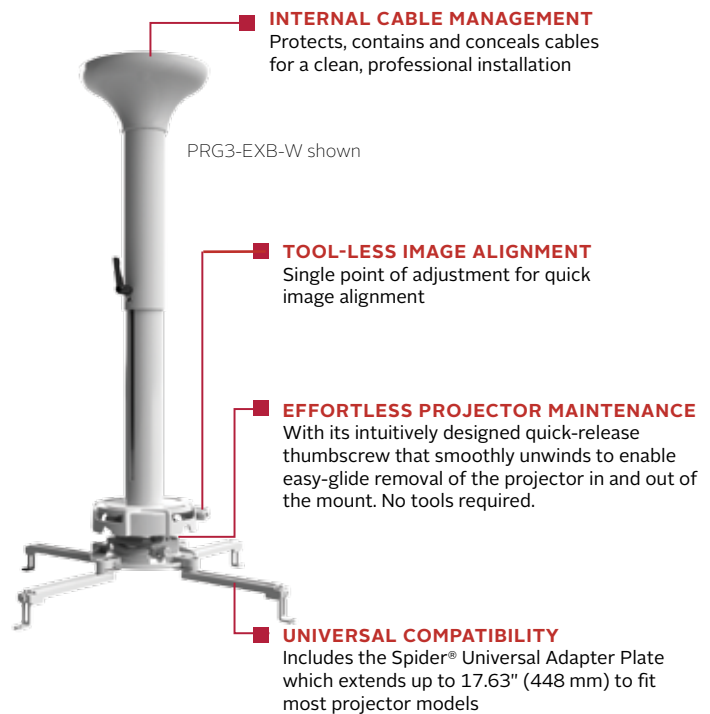
Peerless-AV's PRG3 Projector Mount is loaded with an array of new features to enhance your viewing experience. Using the same sleek column design as the PJF3, the PRG3 comes in three different extension lengths, allowing the projector to be placed anywhere between 13" to 43" from the ceiling. The PJF3's tool-less height and image adjustment and quick-release mechanism provide easy setup and projector maintenance. The PJF3-EXA/B/C(-W) all come with internal cable management, ensuring a clean, clutter-free and professional installation

PRG3's tool-less height and image adjustment feature provides quick setup and simple projector maintenance.



Additional Features

- ✓ Fits projectors up to 55lb (24.9kg)
- ✓ Tool-less height and image adjustment provides quick setup and simple maintenance
- ✓ Internal cable management protects, contains and conceals cables for a clean, professional installation
- ✓ Alternative cable management provided through center of ceiling plate
- ✓ Cosmetic cover with cable management knockouts for simple cable management
- ✓ Two adjustment knobs control pitch and roll image alignment. Engage using a Phillips screwdriver or adjust by hand
- ✓ ±20° Pitch
±10° Roll
360° Swivel (during installation)
- ✓ Quick-release mechanism to easily service projector
- ✓ Spider® Universal Adaptor Plate extends up to 17.63" (448mm) to fit most projector models



Touchboards

205 Westwood Ave, Long Branch, NJ 07740
Phone: 866-94 BOARDS (26273) / (732)-222-1511
Fax: (732)-222-7088 | E-mail: sales@touchboards.com



PRG3-EXB shown



Internal cable management



PRG3-EXA(-W)	SmartMount® Precision Gear Projector Mount for extended applications with 13.00"-18.00" (330-457mm) height adjustment
PRG3-EXB(-W)	SmartMount® Precision Gear Projector Mount for extended applications with 18.00"-27.00" (457-686mm) height adjustment
PRG3-EXC(-W)	SmartMount® Precision Gear Projector Mount for extended applications with 27.00"-43.00" (686-1092mm) height adjustment

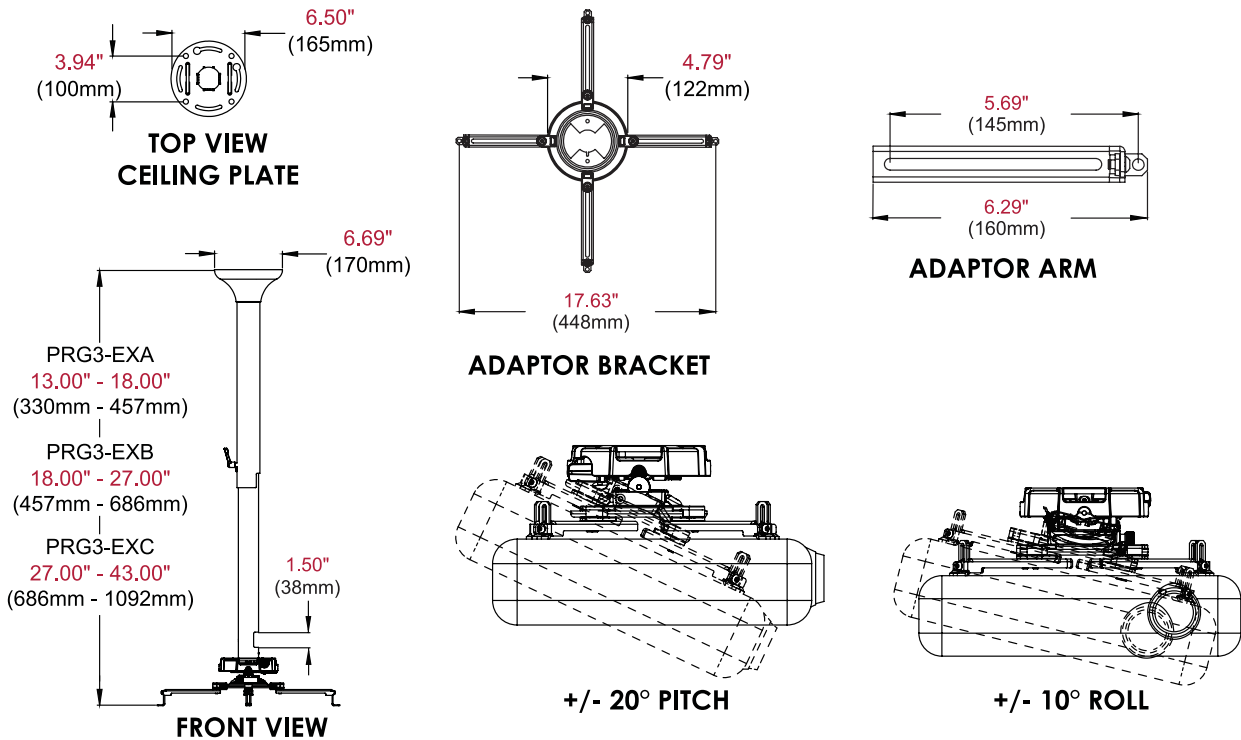
Product Specifications

	DIMENSIONS (W x H x D)	PRODUCT WEIGHT	LOAD CAPACITY	FINISH	AVAILABLE COLORS
PRG3-EXA(-W)	17.63" x 13.00"-18.00" x 17.63" (448 x 330-457 x 448mm)	4.9lb (2.23kg)			
PRG3-EXB(-W)	17.63" x 18.00"-27.00" x 17.63" (448 x 457-686 x 448mm)	5.5lb (2.50kg)	55lb (24.9kg)	Powder Coat	PRG3-EXA/-EXB/-EXC: Black PRG3-EXA-W/-EXB-W/-EXC-W: White
PRG3-EXC(-W)	17.63" x 27.00"-43.00" x 17.63" (448 x 686-1092 x 448mm)	6.3lb (2.86kg)			

Package Specifications

	PACKAGE SIZE (W x H x D)	PACKAGE SHIP WEIGHT	PACKAGE UPC CODE	PACKAGE CONTENTS	UNITS IN PACKAGE
PRG3-EXA(-W)	15.50" x 7.25" x 9.50" (394 x 184 x 241mm)	7.4lb (3.36kg)	PRG3-EXA: 735029305699	Mount, ceiling plate cover, mounting hardware & instructions	1
PRG3-EXB(-W)	15.50" x 7.25" x 9.50" (394 x 184 x 241mm)	8.0lb (3.64kg)	PRG3-EXB: 735029305705		
PRG3-EXC(-W)	23.75" x 7.25" x 9.50" (603 x 184 x 241mm)	9.4lb (4.27kg)	PRG3-EXA-W: 735029305767		
			PRG3-EXB-W: 735029305774 PRG3-EXC-W: 735029305781		

All dimensions = inch (mm)



Architect Specifications

The Smartmount® Precision Gear Projector Mount shall be a Peerless-AV model PRG3-EXA(-W), PRG3-EXB(-W) or PRG3-EXC(-W) and shall be located where indicated on the plans. Assembly and installation shall be done according to instructions provided by the manufacturer.

Visit peerless-av.com to see the complete line of AV solutions from Peerless-AV, including outdoor displays, wireless, kiosks, digital audio, display mounts, projector mounts, carts/stands, and a full assortment of accessories.

Peerless-AV
 2300 White Oak Circle
 Aurora, IL 60502 USA
(800) 865-2112
(630) 375-5100
Fax: (800) 359-6500

Peerless-AV Europe
 Unit 3 Watford Interchange
 Colonial Way, Watford
 Herts, WD24 4WP
 United Kingdom
+44 (0) 1923 200100
Fax: +44 (0) 1923 200101

Peerless-AV de México
 Ave de las Industrias 413
 Parque Industrial Escobedo
 Escobedo, N.L.,
 Mexico 66050
+52 (81) 8384-8300
Fax: +52 (81) 8384-8360

