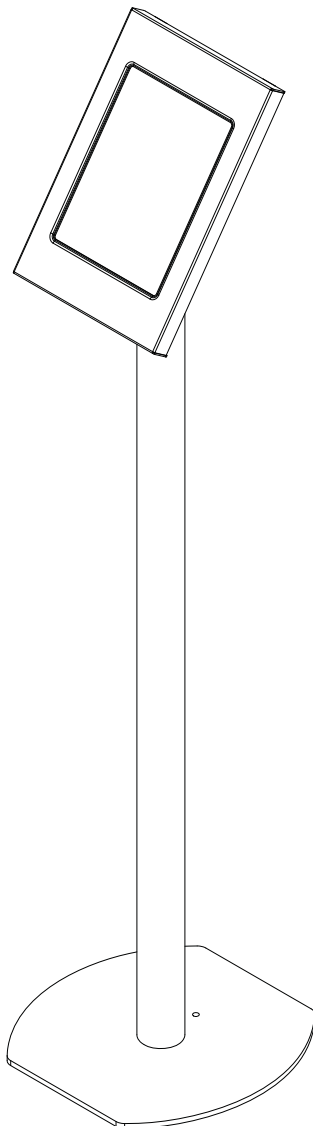


peerless-AV[®]

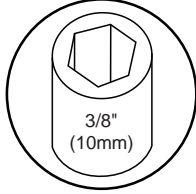
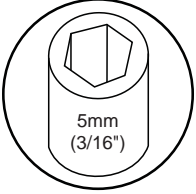
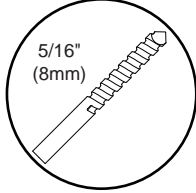
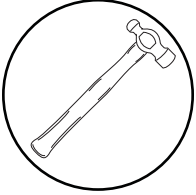
**PTS510I, PTS510I-S,
PTS510I-W**



▲ WARNING

ENG - This product is designed to be installed on wood stud, solid concrete or cinder block walls. Hardware is included for wood stud, solid concrete and cinder block installation. Before installing make sure the supporting surface will support the combined load of the equipment and hardware. Screws must be tightly secured. Do not overtighten screws or damage can occur and product may fail. Never exceed the Maximum Load Capacity. Always use an assistant or mechanical lifting equipment to safely lift and position equipment. Be careful not to pinch fingers when operating the mount. For support please call customer care at 1-800-865-2112.

ENG Tools Needed for Assembly.



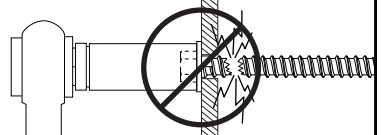
ENG Symbols



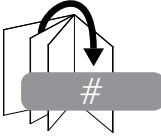
ENG WARNING



ENG Screws must get at least three full turns and fit snug.



ENG Do not overtighten screws.

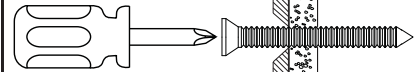


ENG Skip to step.

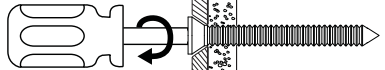


ENG To properly tighten screws: Tighten until screw head makes contact, then tighten another 1/2 turn. Do not overtighten screws.

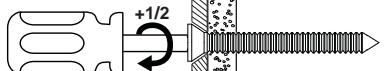
1



2



3



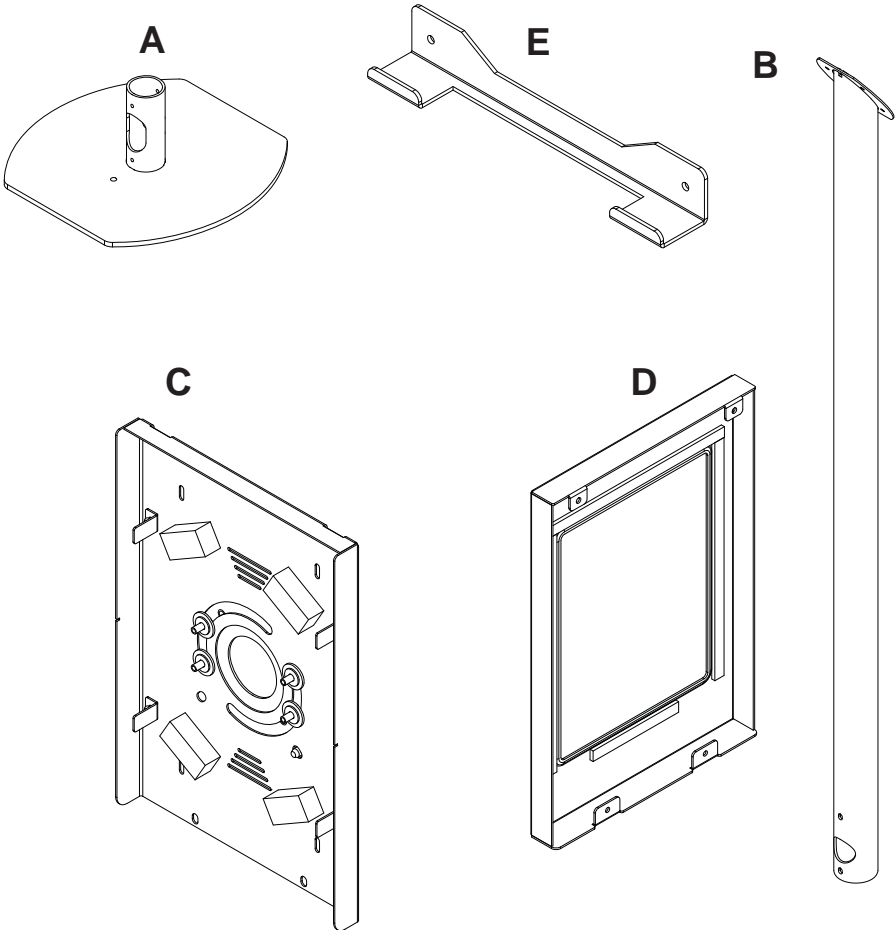
4



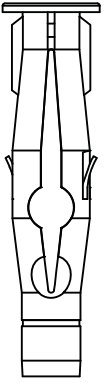
ENG Parts (Before beginning, make sure you have all parts shown below).

Parts List

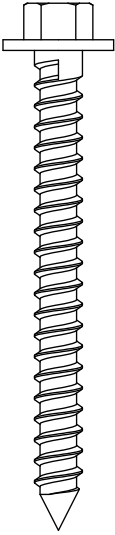
Description	Qty	PTS510I Part #	PTS510I-W Part #	PTS510I-S Part #
A base weldment	1	146-T1306	146-2306	146-4306
B tube weldmnt	1	146-T1309	146-2309	146-4309
C rivet assembly	1	146-T1318	146-2318	146-4318
D front cover assembly	1	146-T1316	146-2316	146-4316
E adjustment bracket	2	146-T1317	146-2317	146-4317
F 4mm allen wrench	1	560-9646	560-9646	560-9646
G adhesive rubber feet	1	570-1036	570-1036	570-1036
H wood screw	1	5S1-015-C03	5S1-015-C04	5S1-015-C04
I concrete anchor	1	590-0320	590-0320	590-0320
J 3/8 hex plastic head cover, blk	1	560-1029	560-2029	560-2029
K acorn nut	4	530-1049	530-1049	530-1049
L M4 x 6mm socket pin screw	4	520-1059	520-1059	520-1059
M spacer	4	540-1032	540-1032	540-1032
N adhesive foam	8	570-0045	570-0045	570-0045
O M5 x .8 x 10mm socket pin screw	4	520-1164	520-2031	520-2031



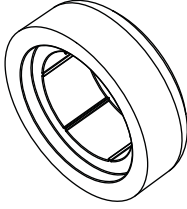
I



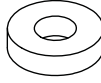
H



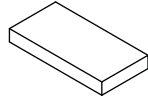
J



M



N



O



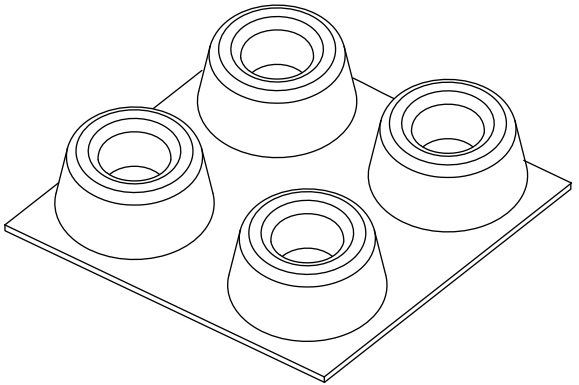
L



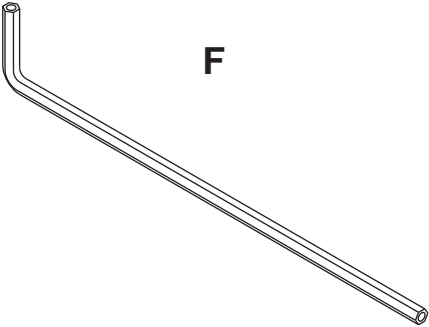
K



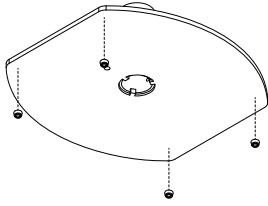
G



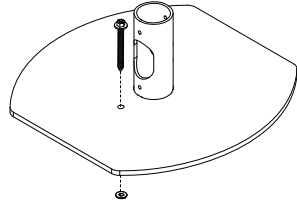
F



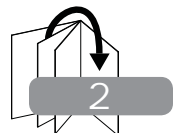
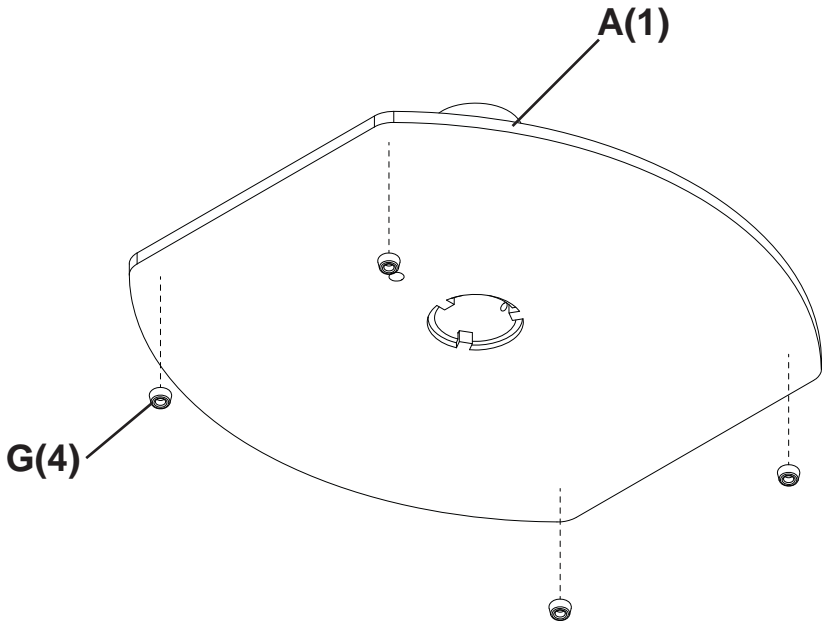
[ENG] Free standing



[ENG] Secured

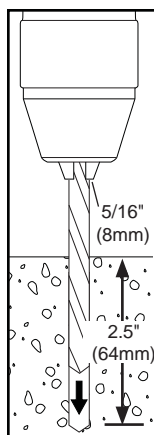
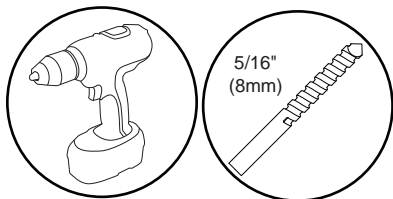


1a-1



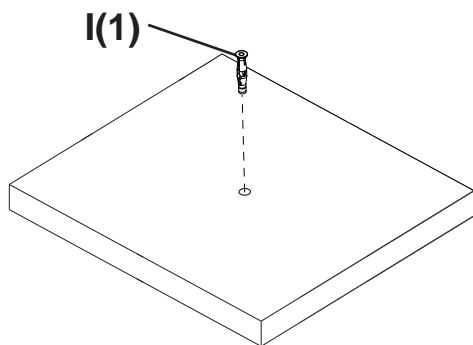
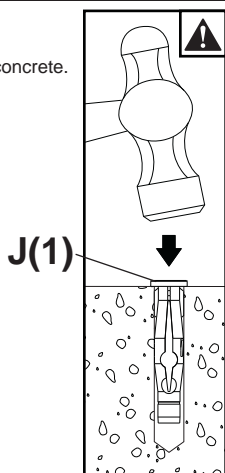
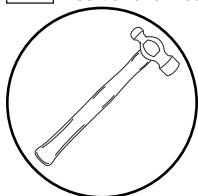
1b-1

ENG Drill mounting holes into supporting surface
(2.5" (64mm) minimum depth required).



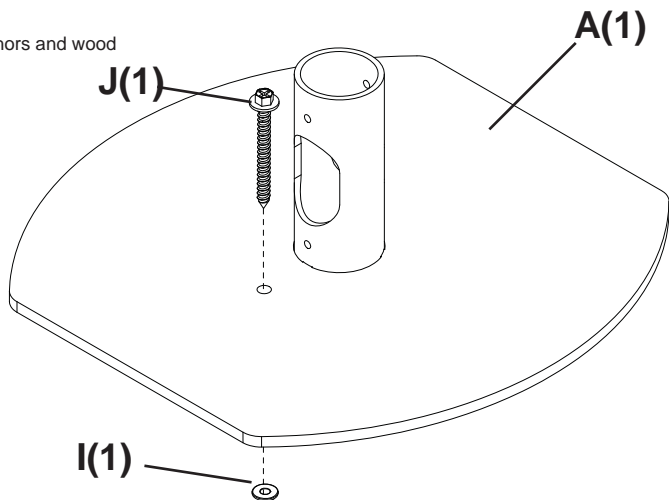
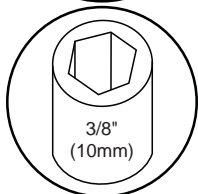
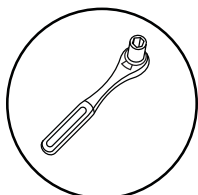
1b-2

ENG Insert anchor flush to concrete.



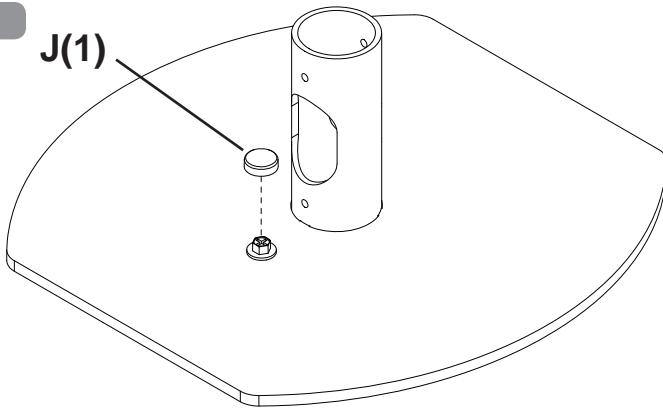
1b-3

ENG Install using concrete anchors and wood screws provided.

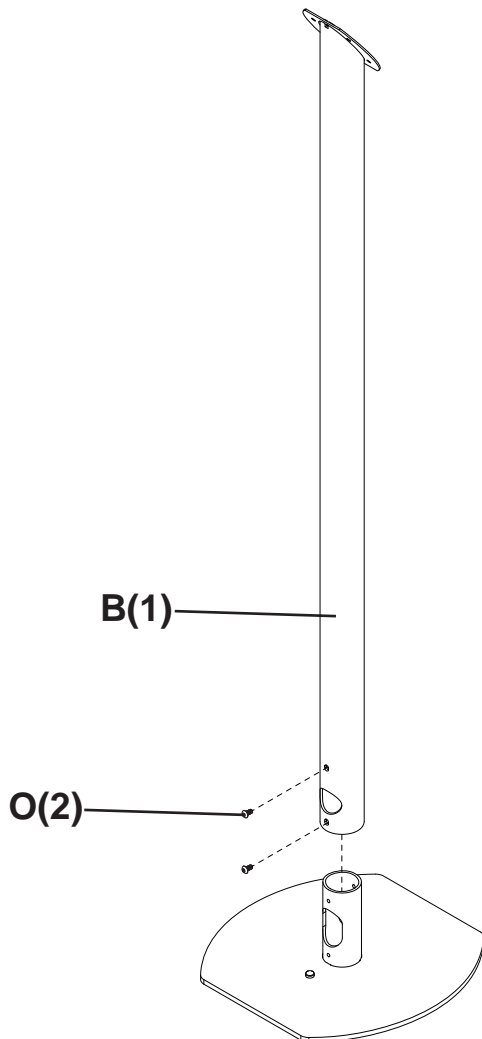
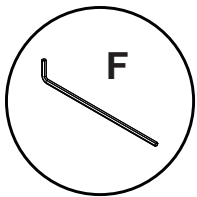


1b-4

J(1)



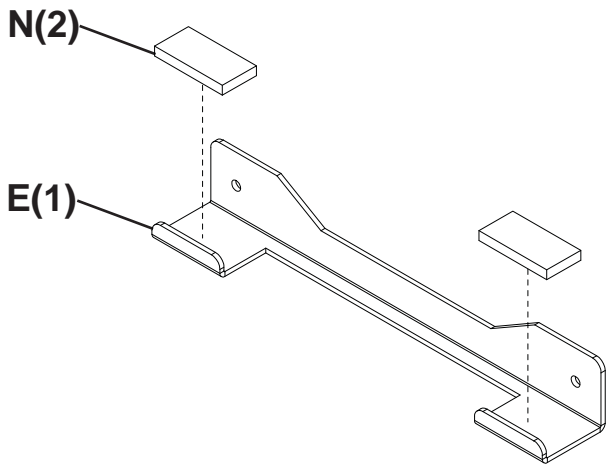
2



3

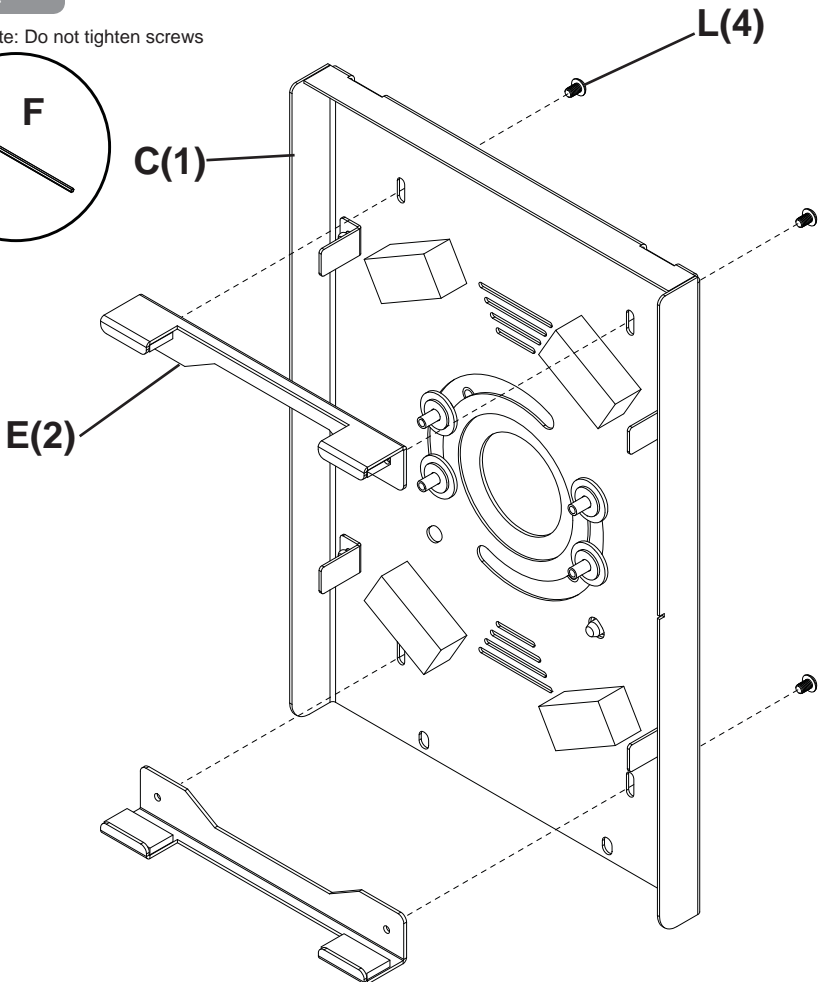
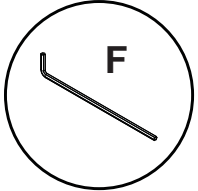
ENG Note: Repeat

x2

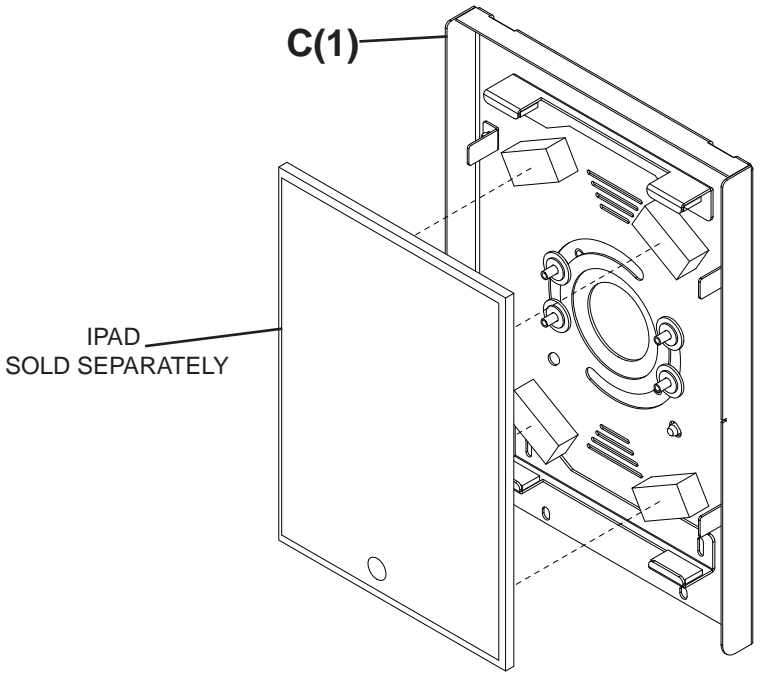


4

ENG Note: Do not tighten screws

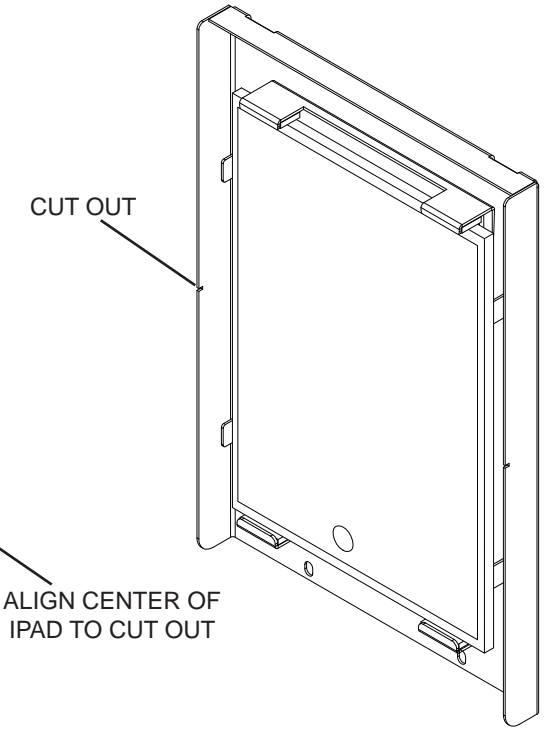
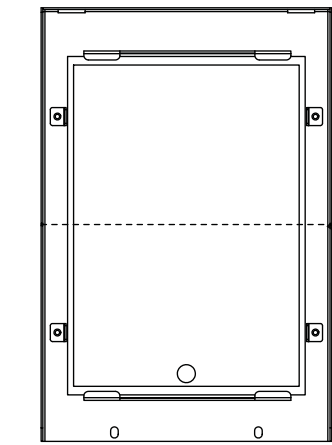
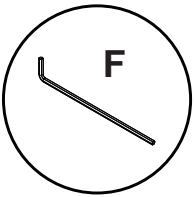


5

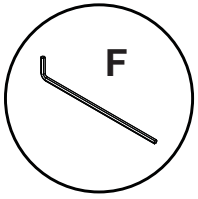


6

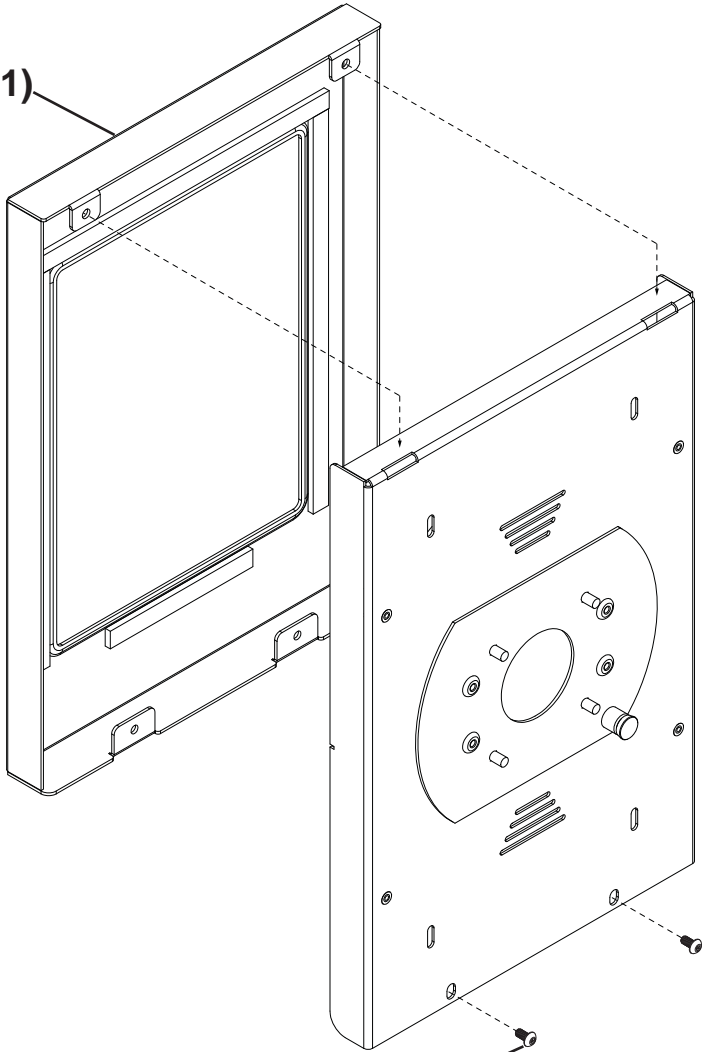
ENG Note: Adjust and tighten



7

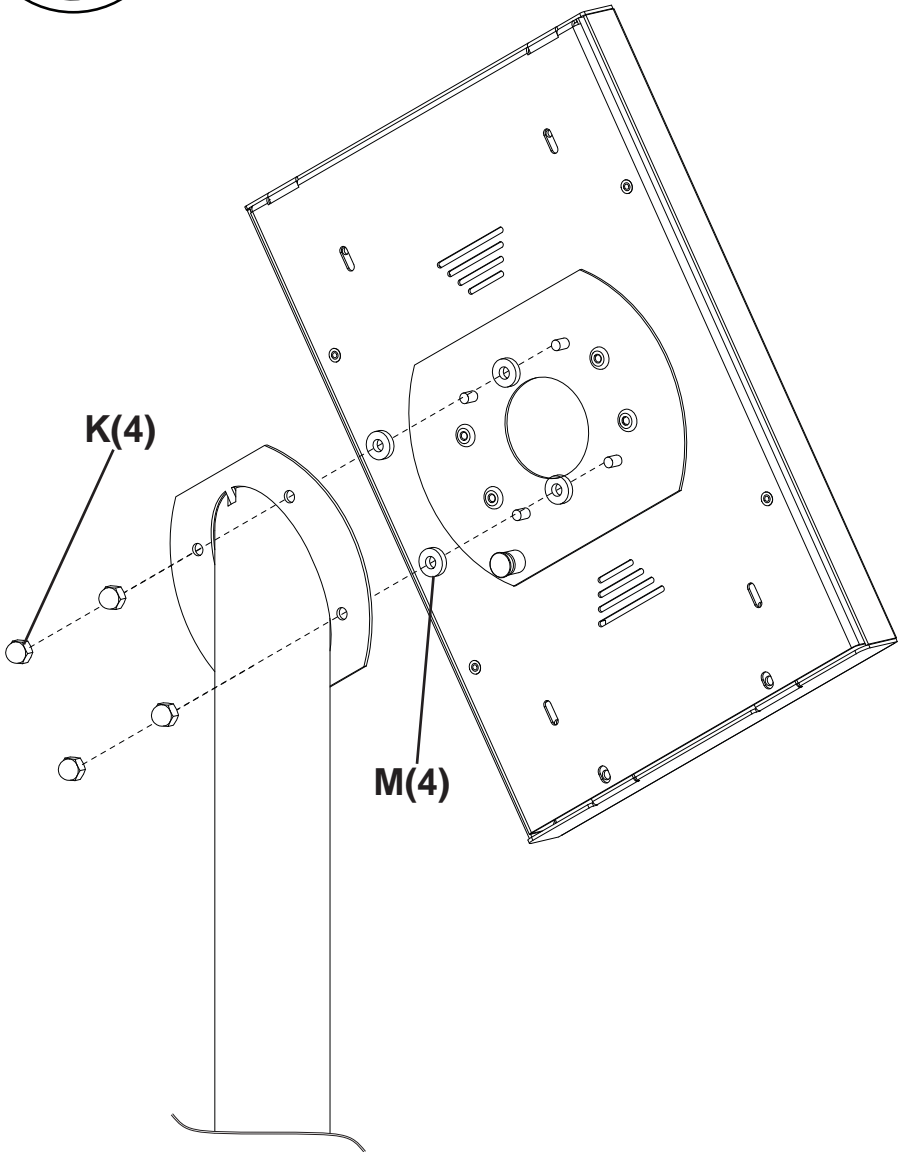
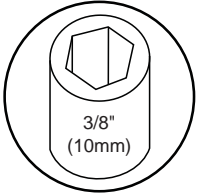


D(1)



O(2)

ENG Note: Tighten all screws



LIMITED FIVE-YEAR WARRANTY

Peerless Industries, Inc. ("Peerless") warrants to original end-users of Peerless® products will be free from defects in material and workmanship, under normal use, for a period of five years from the date of purchase by the original end-user (but in no case longer than six years after the date of the product's manufacture). At its option, Peerless will repair or replace, or refund the purchase price of, any product which fails to conform with this warranty.

In no event shall the duration of any implied warranty of merchantability or fitness for a particular purpose be longer than the period of the applicable express warranty set forth above. Some states do not allow limitations on how long a implied warranty lasts, so the above limitation may not apply to you.

This warranty does not cover damage caused by (a) service or repairs by the customer or a person who is not authorized for such service or repairs by Peerless, (b) the failure to utilize proper packing when returning the product, (c) incorrect installation or the failure to follow Peerless' instructions or warnings when installing, using or storing the product, or (d) misuse or accident, in transit or otherwise, including in cases of third party actions and force majeure.

In no event shall Peerless be liable for incidental or consequential damages or damages arising from the theft of any product, whether or not secured by a security device which may be included with the Peerless® product. Some states do not allow the exclusion or limitation of incidental or consequential damages, so the above limitation or exclusion may not apply to you.

This warranty is in lieu of all other warranties, expressed or implied, and is the sole remedy with respect to product defects. No dealer, distributor, installer or other person is authorized to modify or extend this Limited Warranty or impose any obligation on Peerless in connection with the sale of any Peerless® product.

This warranty gives specific legal rights, and you may also have other rights which vary from state to state.

The logo for Peerless-AV features the word "peerless" in a bold, lowercase, red sans-serif font. To its right, the letters "AV" are rendered in a red outline font, with a registered trademark symbol (®) to the upper right of the "V".

Peerless-AV

2300 White Oak Circle
Aurora, IL 60502
Email: tech@peerlessmounts.com
Ph: (800) 865-2112
Fax: (800) 359-6500
www.peerless-av.com

© 2014, Peerless Industries, Inc.

Peerless-AV Europe

Unit 3 Watford Interchange,
Colonial Way, Watford, Herts,
WD24 4WP, United Kingdom
Customer Care
44 (0) 1923 200 100
www.peerless-av.com

© 2014, Peerless Industries, Inc.

Peerless-AV de Mexico

Ave de las Industrias 413
Parque Industrial Escobedo
Escobedo N.L Mexico 66050
Servicio al Cliente
01-800-849-65-77
www.peerless-av.com

© 2014, Peerless Industries, Inc.