

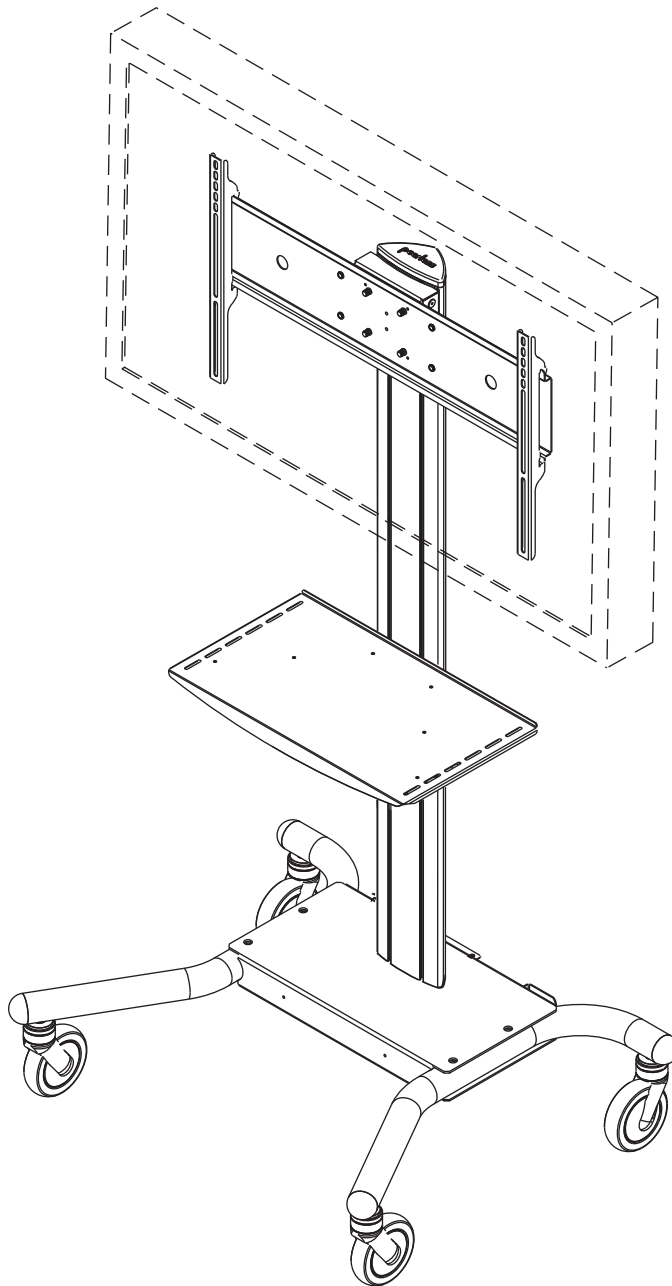
## Installation and Assembly: 32" - 65" Flat Panel TV Cart

Models: SR1M, SR560M



This product is UL Listed. It must be installed by a qualified professional installer.

**Max UL Load Capacity:**  
150 lb (68 kg) screen  
50 lb (22.7 kg) per shelf



**NOTE:** Read entire instruction sheet before you start installation and assembly.

## **WARNING**

- Do not begin to install your Peerless product until you have read and understood the instructions and warnings contained in this Installation Sheet. If you have any questions regarding any of the instructions or warnings, for US customers please call Peerless customer care at 1-800-865-2112, for all international customers, please contact your local distributor.
- This product should only be installed by someone of good mechanical aptitude, and fully understands these instructions.
- Never exceed the Maximum UL Load Capacity on page 1.
- Always use an assistant or mechanical lifting equipment to safely lift and position equipment.
- Tighten screws firmly, but do not overtighten. Overtightening can damage the items, greatly reducing their holding power.
- The cart is not affixed or secured to the floor, and may therefore tip over and/or fall if screen and/or stand is shaken or hit. Always monitor children and do not let children play alone around stand as they could get hurt by a falling screen. Not recommended for use in areas with heavy traffic.

### **Tools Needed for Assembly**

- level
- phillips screwdriver

### **Table of Contents**

---

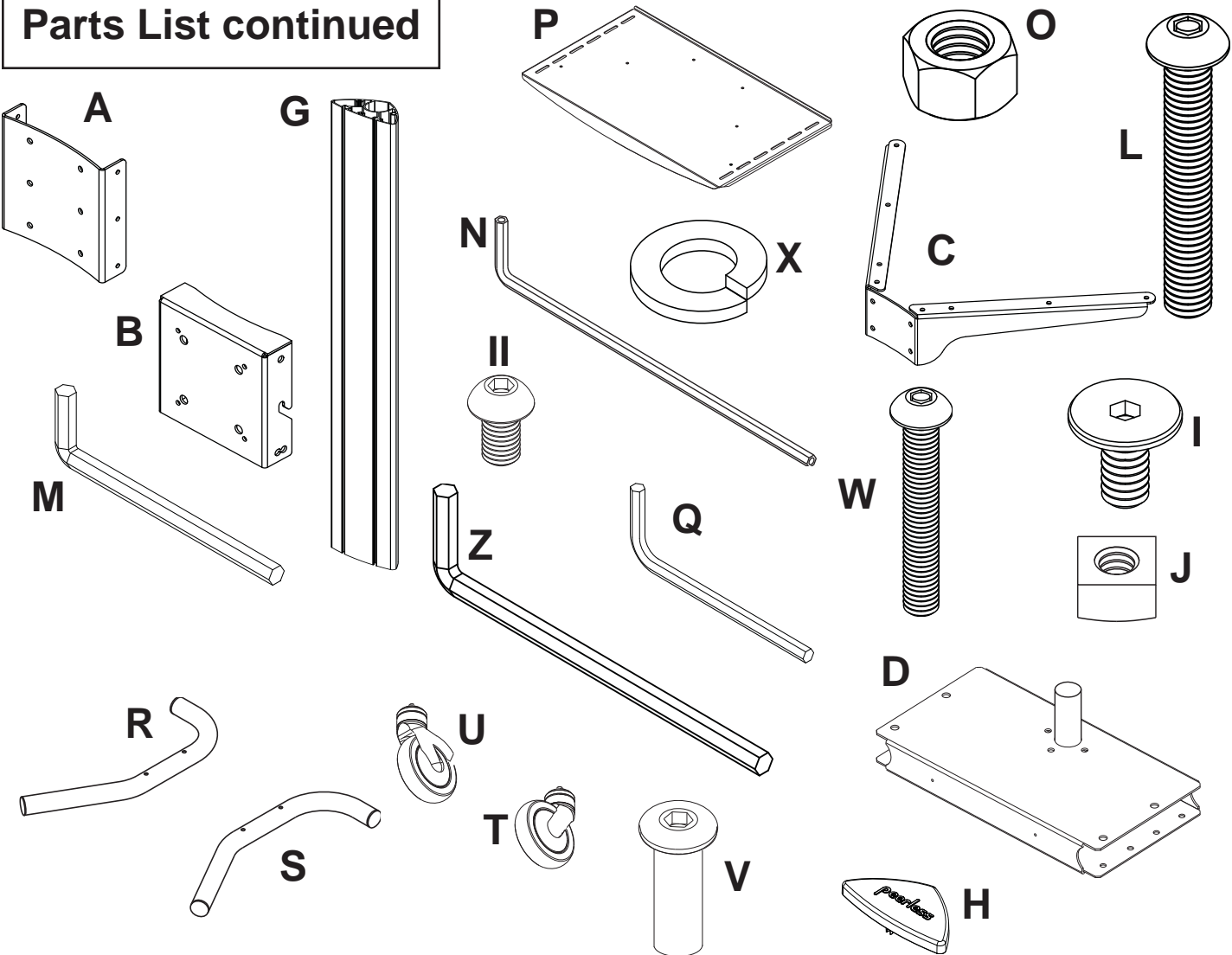
Parts List.....	3, 4
Assembling Cart.....	5
Attaching Universal Adapter Plate or Dedicated Adapter Plate.....	10
Installing Adapter Brackets.....	11
Cord Management.....	13

Before you begin, make sure all parts shown are included with your product.

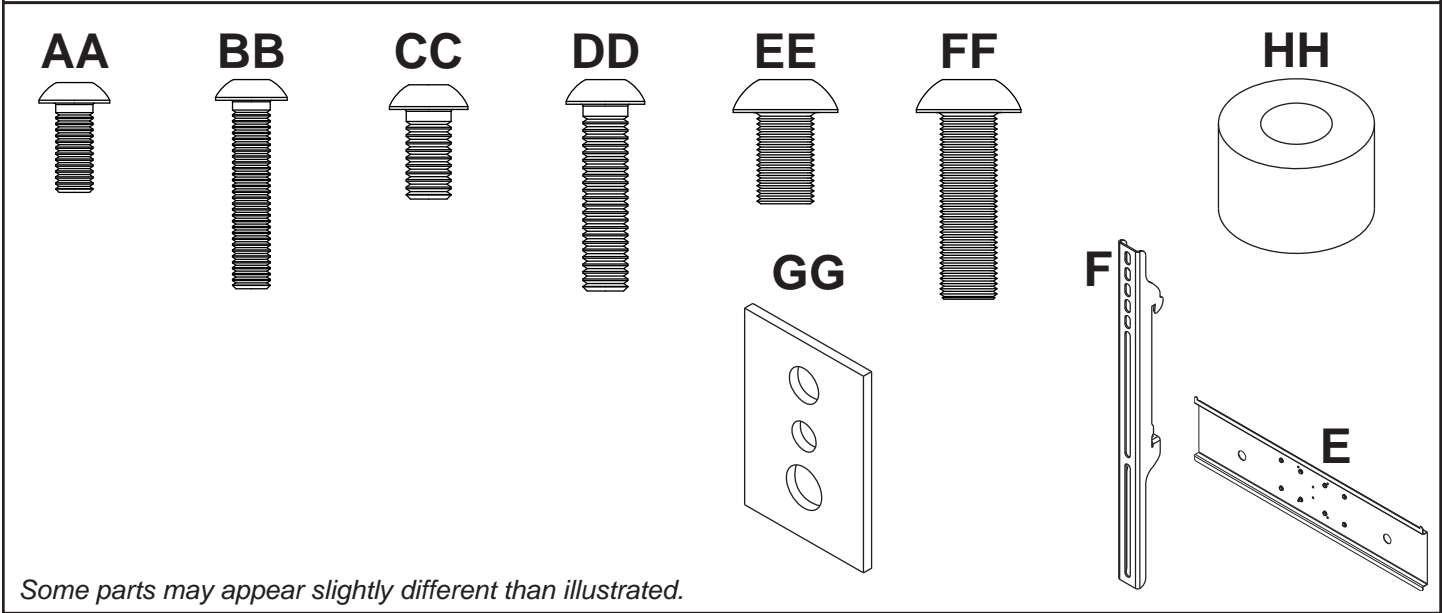
Parts may appear slightly different than illustrated.

<b>Parts List</b>			<b>SR1M</b>	<b>SR560M</b>
<b>Description</b>	<b>Qty.</b>	<b>Part Number</b>	<b>Part Number</b>	
<b>A</b> screen mount bracket	1	201-1156	201-1156	
<b>B</b> hook plate	1	201-1157	201-1157	
<b>C</b> shelf support	1	201-1158	201-1158	
<b>D</b> base	1	009-1223	009-1223	
<b>E</b> universal plate	1	N/A	201-1110	
<b>F</b> adapter bracket	2	N/A	201-1510	
<b>G</b> upright	1	580-1180	580-1180	
<b>H</b> top cover	1	590-1210	590-1210	
<b>I</b> 1/4-20 x 12mm decorative screw	14	520-2325	520-2325	
<b>J</b> 1/4-20mm nut	10	530-1050	530-1050	
<b>L</b> 3/8-16 x 2.5" socket screw	3	520-9550	520-9550	
<b>M</b> 7/32" allen wrench	1	560-9715	560-9715	
<b>N</b> 4 mm allen wrench	1	560-9646	560-9646	
<b>O</b> 8/32 nylock nut	6	530-1038	530-1038	
<b>P</b> shelf pan	1	009-1225	009-1225	
<b>Q</b> 6 mm allen wrench	1	560-9716	560-9716	
<b>R</b> left leg	1	009-1296	009-1296	
<b>S</b> right leg	1	009-1295	009-1295	
<b>T</b> wheel caster	2	600-0044	600-0044	
<b>U</b> wheel caster/brake	2	600-0045	600-0045	
<b>V</b> joint connector nut	4	530-1037	530-1037	
<b>W</b> 3/8-16 x 1.5" screw bolt	4	520-1329	520-1329	
<b>X</b> M10 x .402 ID lock washer	3	540-9424	540-9424	
<b>Z</b> 3/16 allen wrench	1	560-0071	560-0071	
<b>AA</b> M5 x 12 mm socket pin screw	4	N/A	520-1064	
<b>BB</b> M5 x 25 mm socket pin screw	4	N/A	520-1122	
<b>CC</b> M6 x 12 mm socket pin screw	4	N/A	520-1150	
<b>DD</b> M6 x 25 mm socket pin screw	4	N/A	520-1211	
<b>EE</b> M8 x 12 mm socket pin screw	4	N/A	520-1724	
<b>FF</b> M8 x 25 mm socket pin screw	4	N/A	520-1101	
<b>GG</b> M5/M4/M6 washer	4	N/A	580-1398	
<b>HH</b> spacer	4	N/A	540-1059	
<b>II</b> M10 x 15 mm socket screw	4	520-9262	520-9262	

**Parts List continued**



**Universal Adapter Plate, Brackets and Hardware included with model SR560M only**



*Some parts may appear slightly different than illustrated.*

- 1 Insert right leg (S) into base housing (D) as shown in fig. 1.1. Then align holes in right leg with holes in base housing (D). Fasten base housing to right leg using two 3/8-16 x 1.5" bolts (W) and two joint connectors (V). Tighten using 3/16" allen wrench (Z) and 7/32" allen wrench (M) as shown in fig.1.2.

**NOTE:** Left and right legs can be identified by looking at the cart from the front.

Repeat for left side with left leg (R).

fig. 1.1

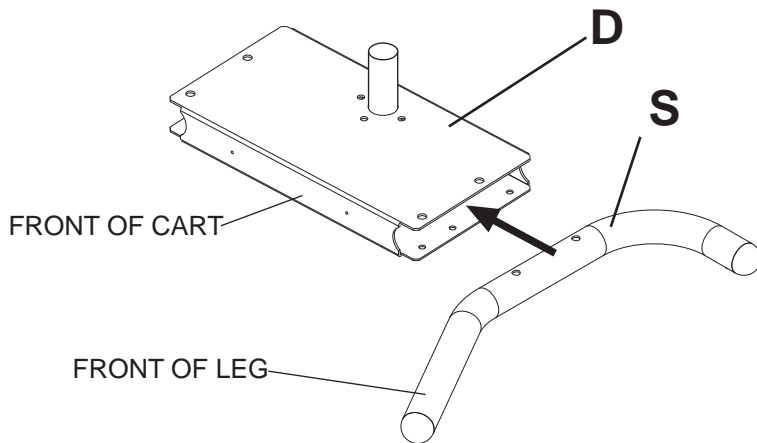
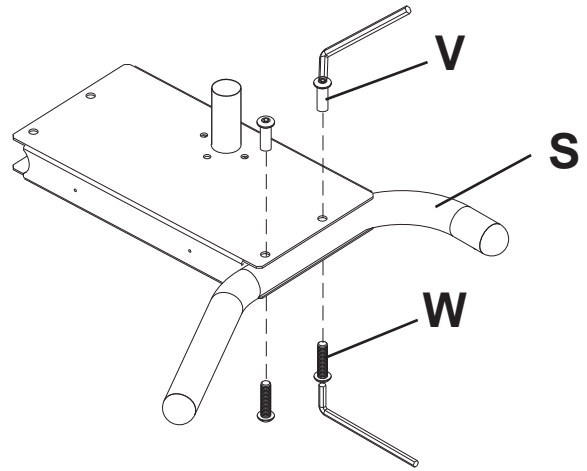
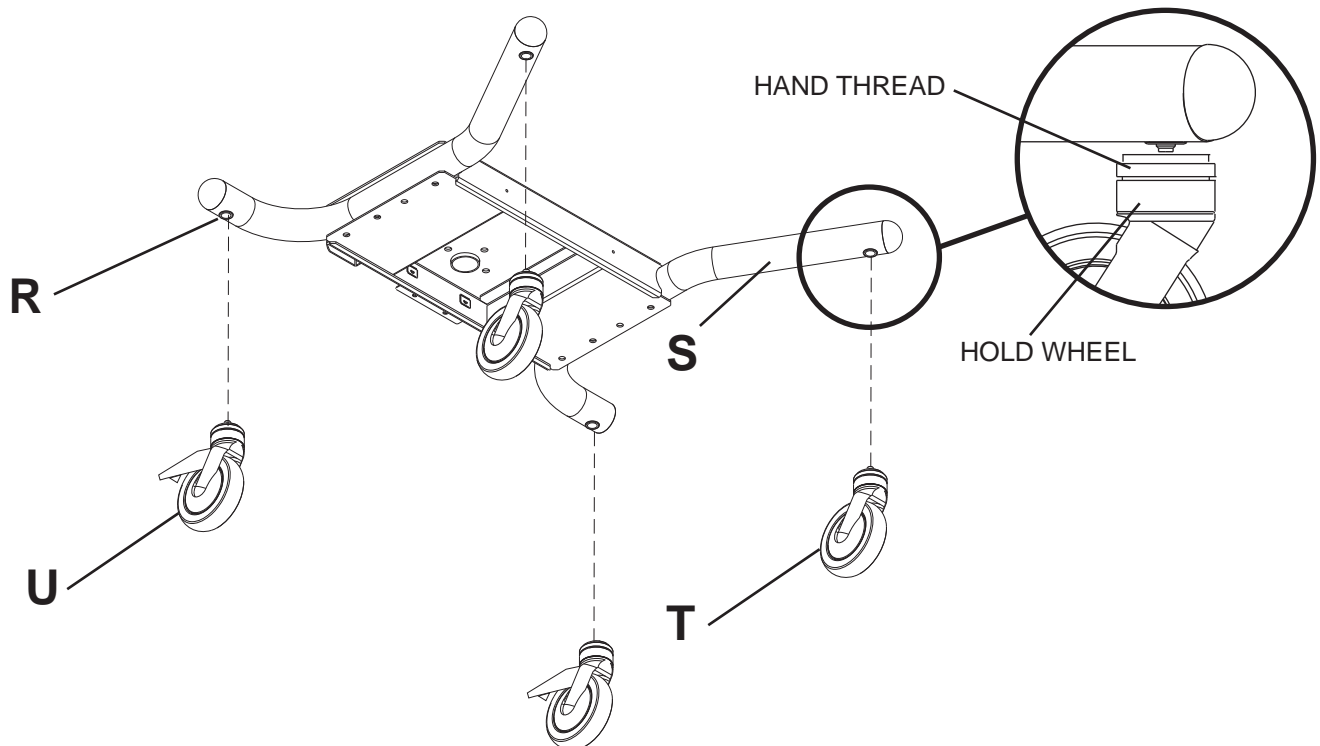


fig. 1.2



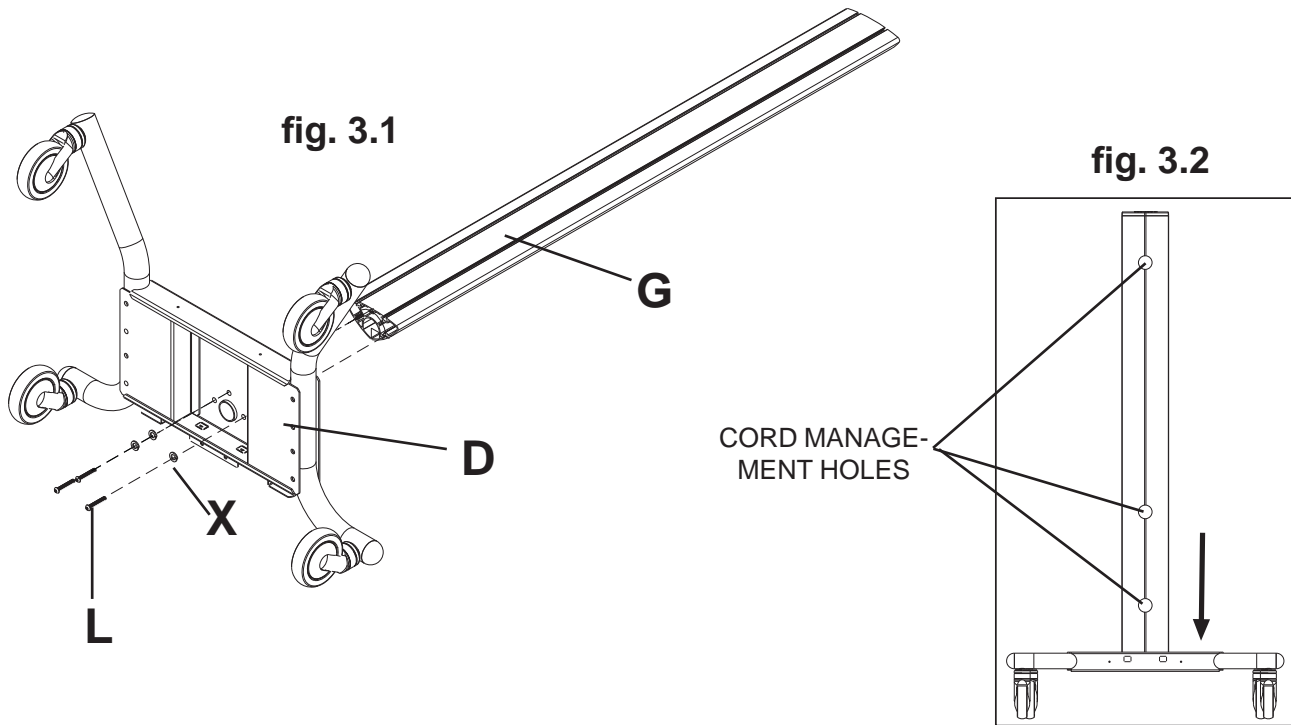
- 2 Insert casters (U & T) into holes of support legs (R & S) and hand thread to secure. Attach casters with brake (U) to the back of left and right support legs (R & S). Attach casters without brake (T) to front of support legs as shown.

**NOTE:** Lock brakes on casters to avoid sudden movements during installation.

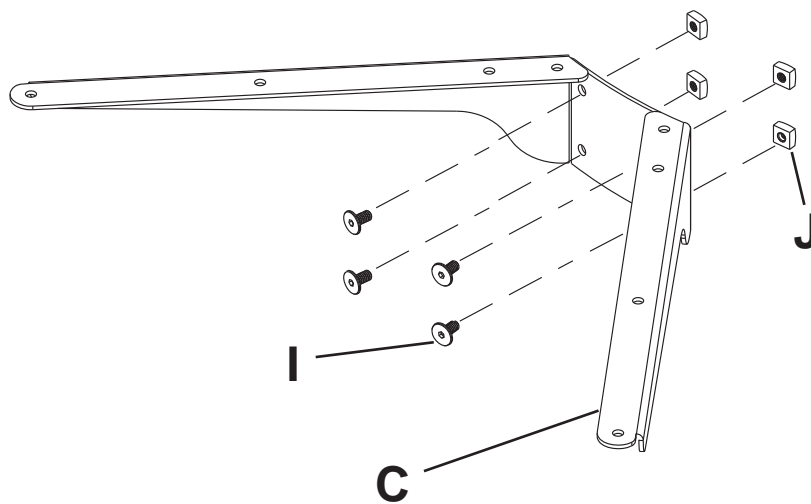


- 3 Attach upright (G) to base (D), as shown in fig 3.1 using three 3/8-16 x 2.5" socket screws (L) and M10 x .402ID lock washers (X). Tighten screws using 7/32" allen wrench (M).

**NOTE:** Be sure cord management holes are in the configuration shown in fig 3.2.



- 4 Loosely attach four 1/4-20 x 12 mm screws (I) and 1/4-20 nuts (J) to shelf support (C).

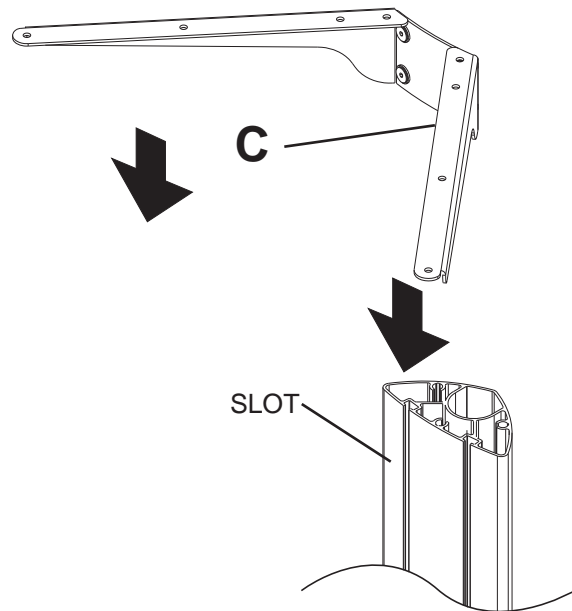
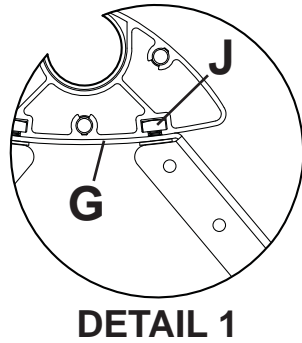


- 5 Slide shelf support (C) onto upright (G) so that 1/4-20 nuts (J) slide into slots of upright (G) as shown in figure 5.1 and detail 1. Slide shelf support to desired height, level, then tighten 1/4-20 x 12mm screws (I) using 4 mm allen wrench (N).

**NOTE: MAXIMUM OF TWO SHELVES**

Max height of top shelf is 34" from base.

Max height of second shelf is 28" from base.

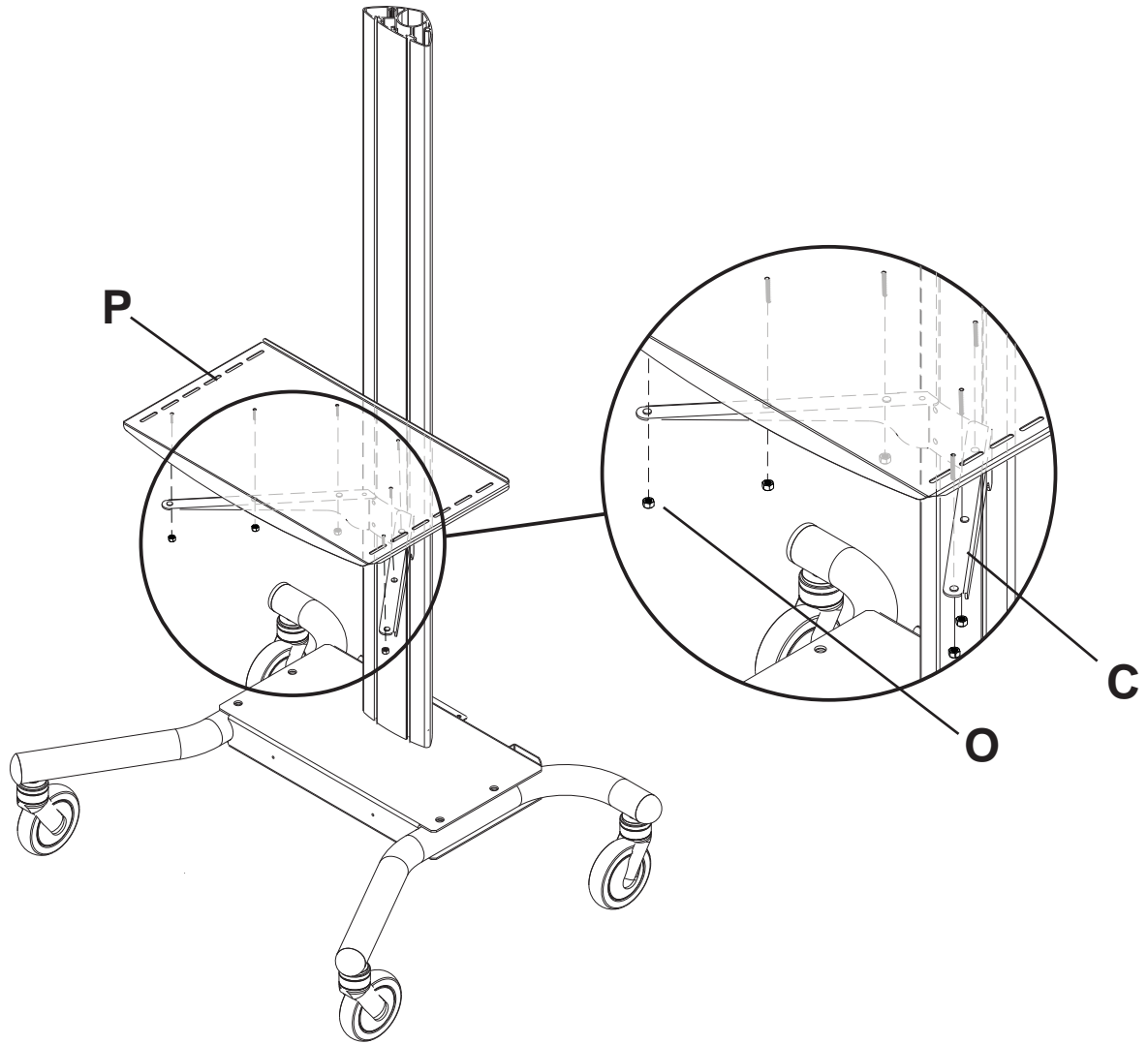


## Attaching Metal Shelf

- 6 Attach shelf pan (P) to shelf support (C) using six 8/32 nylock nuts (O) as shown below. Use an adjustable wrench to tighten six 8/32 nylock nuts (O).

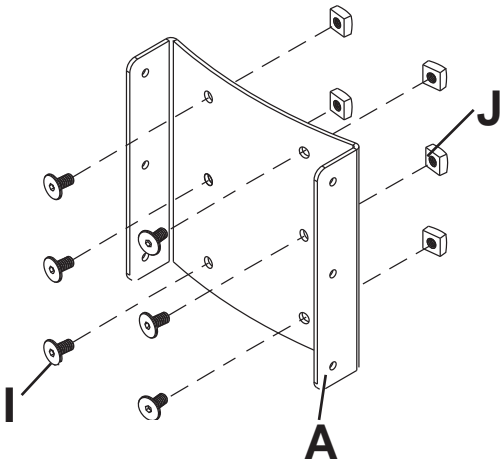
### **⚠ WARNING**

- This shelf is intended for use with equipment weighing NO more than 50 lbs. (22.7 kg) that fits evenly across the surface of shelf pan (P). Use with other equipment may result in instability and cause personal injury or property damage.





- 7 Loosely attach six 1/4-20 x 12 mm screws (I) and 1/4-20 nuts (J) to screen mount bracket (A).



- 8 Slide screen mount bracket (A) onto upright (G) so that 1/4-20 nuts (J) slide into slots of upright (G) as shown in figure 8.1 and detail 2. Slide screen mount bracket to desired position, level, then tighten 1/4-20 x 12 mm screws (I) using 4 mm allen wrench (N).

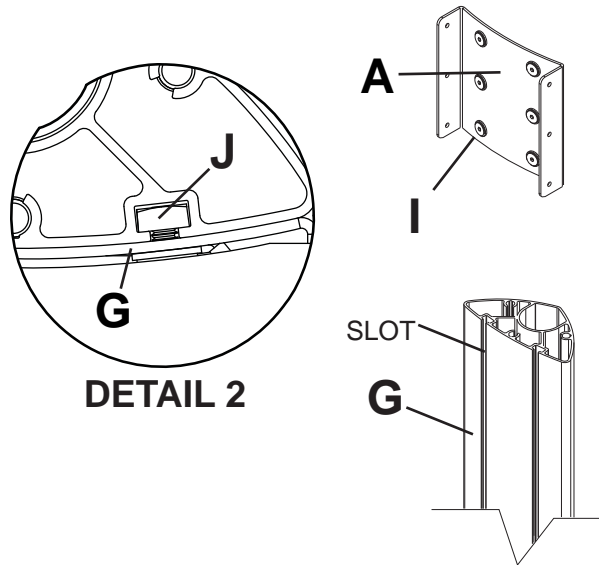
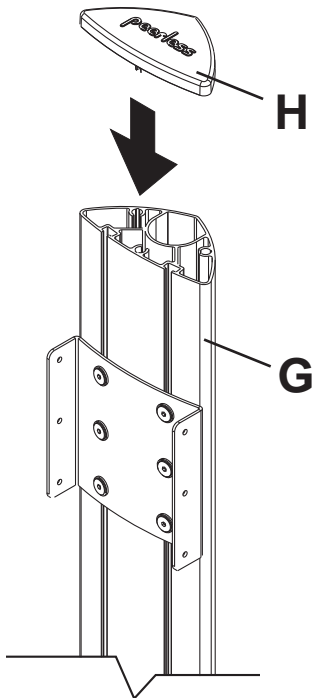


fig. 8.1

- 9 Snap top cover (H) onto upright (G).



- 10 Insert two 1/4-20 x 12 mm screws (I) into screen mount bracket (A), leaving 3/16" of exposed thread as shown in figure 10.1 and detail 3.

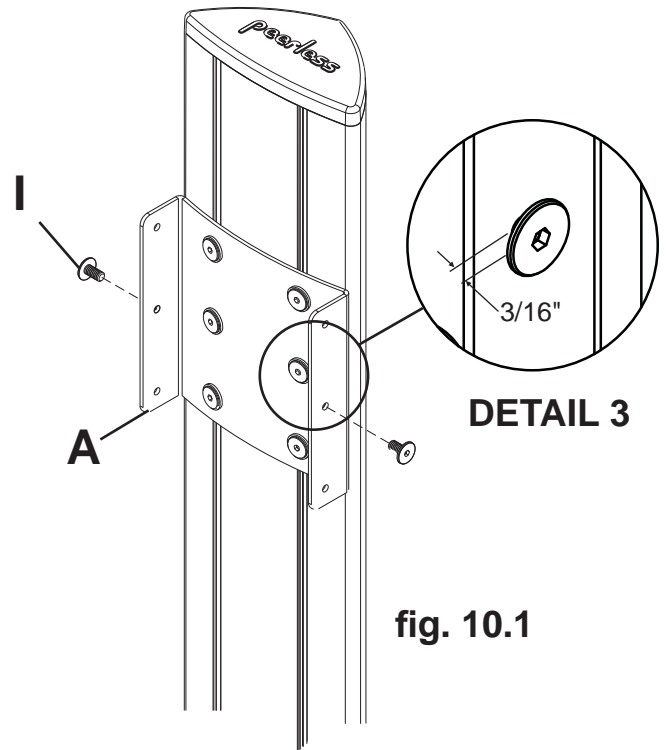
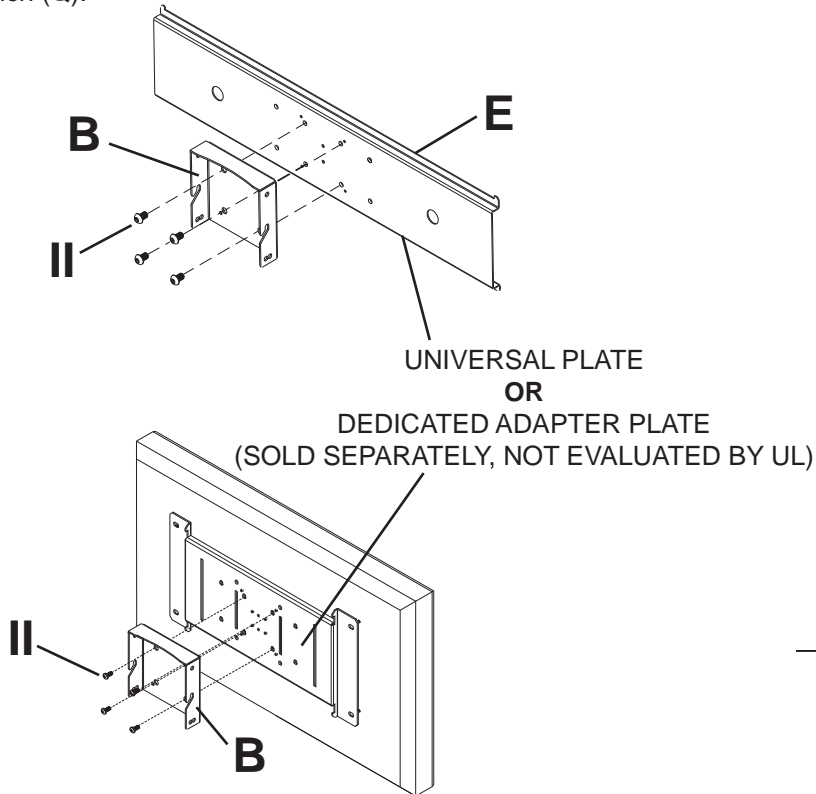


fig. 10.1

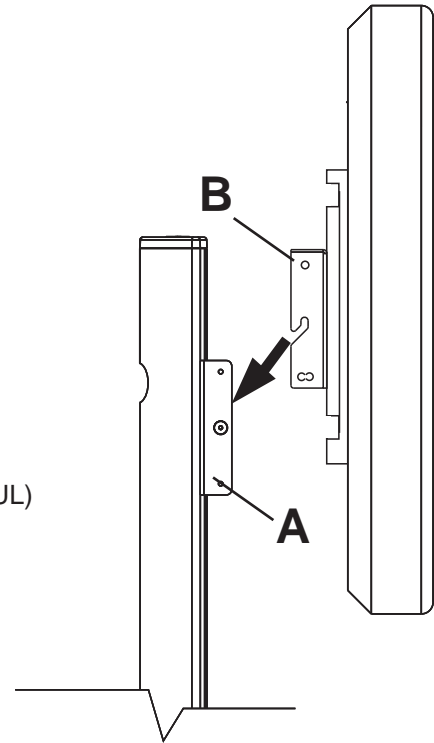
## Attaching Universal Adapter Plate or Dedicated Adapter Plate

**NOTE:** Refer to instructions included with Dedicated Adapter Plate for assembly to screen. Once attached, proceed to step 11.

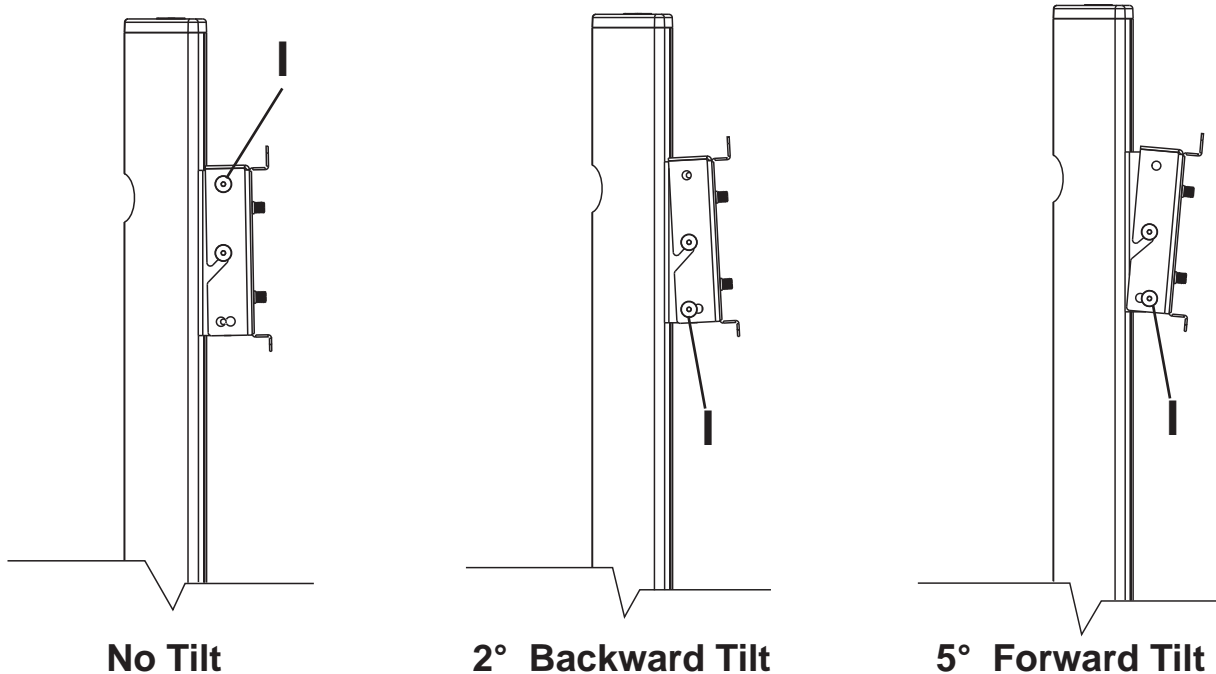
- 11** Attach Universal Plate (E) or Dedicated Adapter Plate to hook plate (B) using four M10 x 15 mm socket screws (II). Tighten screws using 6 mm allen wrench (Q).



- 12** Attach hook plate (B) to screen mount bracket (A).



- 13** Insert two 1/4-20 x 12 mm screws (I) into holes indicated below for desired screen orientation. Tighten all screws using 4 mm allen wrench (N).



**No Tilt**

**2° Backward Tilt**

**5° Forward Tilt**

## Installing Adapter Brackets to Universal Plate

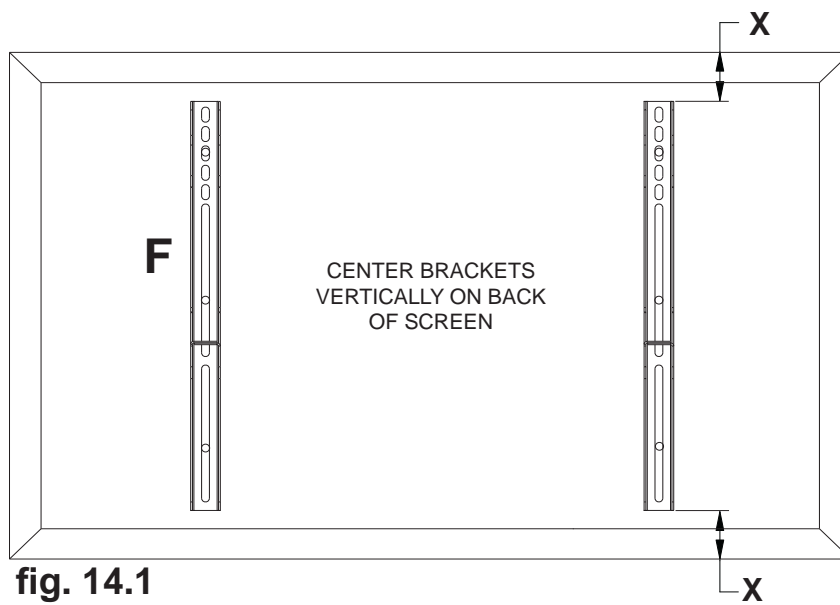
### ⚠ WARNING

- Tighten screws so adapter brackets are firmly attached. Do not tighten with excessive force. Overtightening can cause stress damage to screws, greatly reducing their holding power and possibly causing screw heads to become detached. Tighten to 40 in. • lb (4.5 N.M.) maximum torque.
- If screws don't get three complete turns in the screen inserts or if screws bottom out and bracket is still not tightly secured, damage may occur to screen or product may fail.

**NOTE:** For Dedicated Adapter Plate, see step 11.

- 14** To prevent scratching the screen, set a cloth on a flat, level surface that will support the weight of the screen. Place screen face side down. Refer to screen manufacturers instructions or customer service, for removing any knobs, base, cover, or screw(s) on the back of the screen to prepare mounting. These need to be removed to allow the adapter brackets to be attached. Select the small, medium, large or extra large screws from the baffled fastener pack then attach adapter brackets to screen following figure 14.3 or 14.4.

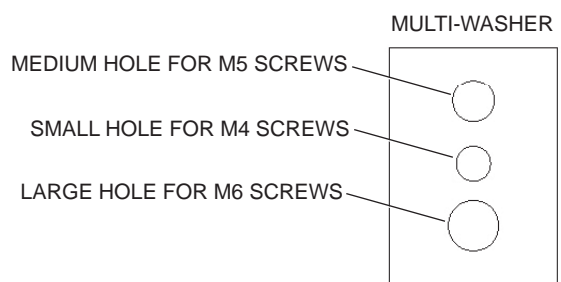
**NOTE:** Top and bottom mounting holes must be used for attaching brackets. Verify that all holes are properly aligned, and then tighten screws using a security allen wrench.



**NOTE:** "X" dimensions should be equal.

#### Notes:

- The number of fasteners used will vary, depending upon the type of screen.
- Multi-washers and spacers may not be used, depending upon the type of screen.
- Use the corresponding hole in the multi-washer that matches your screw size as shown.

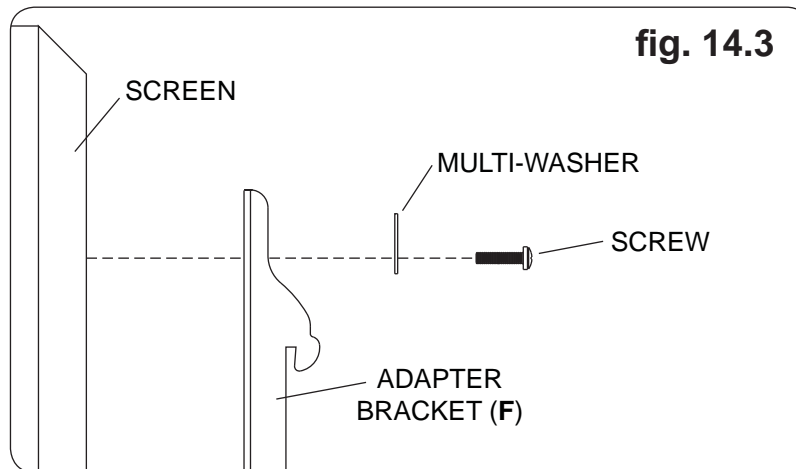


**NOTE:** For flat back screens proceed to step 14-3. For bump-out or recessed back screen skip to step 14-4

## For Flat Back Screen

**14-3** Begin with the shortest length screw, hand thread through multi-washer and adapter bracket into screen as shown below. Screw must make at least three full turns into the mounting hole and fit snug into place. Do not over tighten. If screw cannot make three full turns into the screen, select a longer length screw from the baffled fastener pack. Repeat for remaining mounting holes, level brackets and tighten screws.

**NOTE:** Spacers may not be used, depending upon the type of screen.

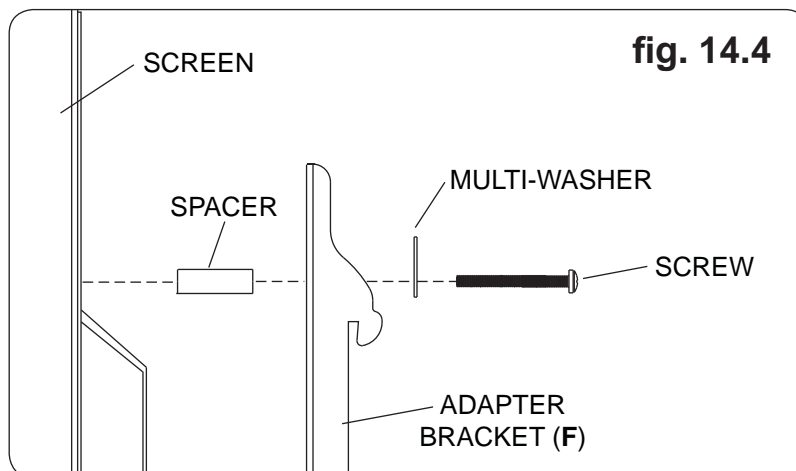


If you have any questions, please call Peerless customer care at **1-800-865-2112**.

---

## For Bump-out or Recessed Back Screen

**14-4** Begin with longer length screw, hand thread through multi-washer, adapter bracket and spacer in that order into screen as shown below. Screw must make at least three full turns into the mounting hole and fit snug into place. Do not over tighten. If screw cannot make three full turns into the screen, select a longer length screw from the baffled fastener pack. Repeat for remaining mounting holes, level brackets and tighten screws.



If you have any questions, please call Peerless customer care at **1-800-865-2112**.

## Mounting and Removing Flat Panel Screen

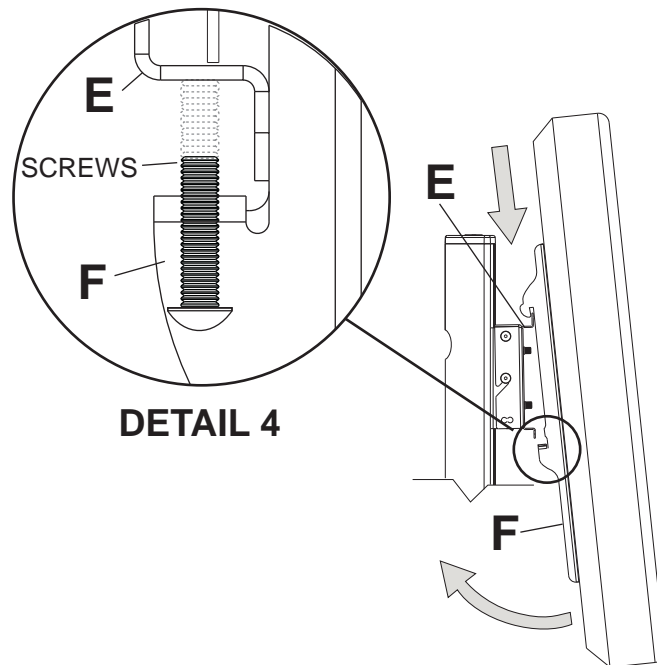
### ⚠ WARNING

- Always use an assistant or mechanical lifting equipment to safely lift and position the plasma television.

- 15** Hook adapter brackets (F) onto universal plate (E), then slowly swing screen in as shown. Turn screws of adapter plate (F) clockwise at least six times to prevent screen from being removed as shown in detail 4.  
**NOTE:** Tighten using 4 mm allen wrench (N).  
Screen can be adjusted horizontally if desired.

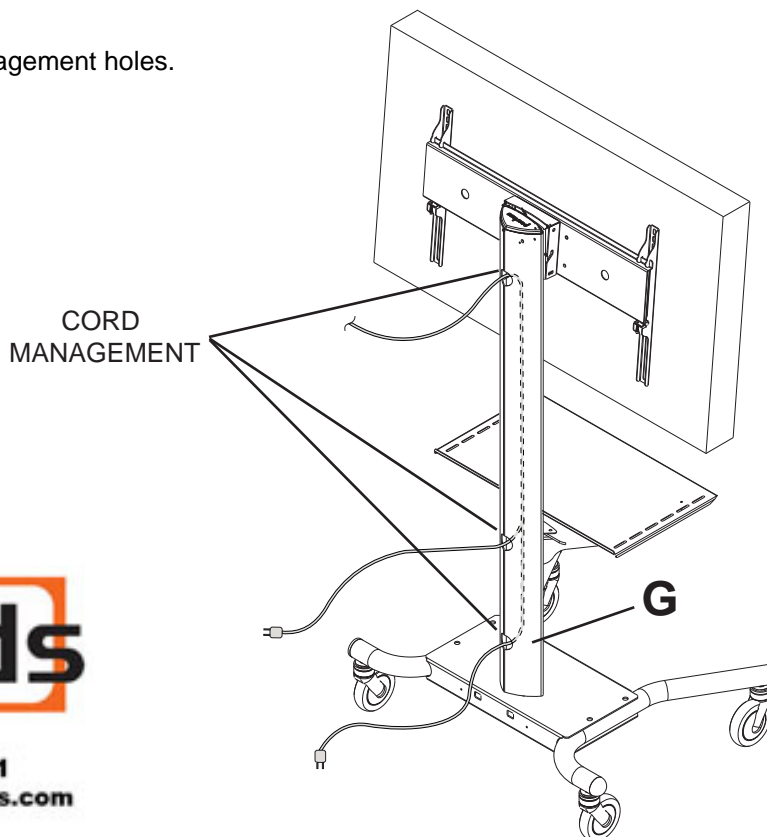
**NOTE: It is important to lock screen down!** To lock the screen down, fully tighten screws to adapter bracket as shown in detail 4.

To remove screen from mount, loosen screws, swing screen away from mount, and lift screen off of mount.



## Cord Management

- 16** Run cords through upright (G) using cord management holes.



# Touchboards

205 Westwood Ave, Long Branch, NJ 07740  
Phone: 866-94 BOARDS (26273) / (732)-222-1511  
Fax: (732)-222-7088 | E-mail: sales@touchboards.com