

SR584VL2
SR584VL3



SR584VL2:
90.2 – 154lb
(41 – 70kg)

SR584VL3:
145 – 209lb
(66 – 95kg)

SMARTMOUNT.

Collaboration Cart With Vertical Lift

FOR 90.2 – 154LB & 145 – 209LB INTERACTIVE DISPLAYS

The SmartMount® Collaboration Cart was designed to safely mount, move, and store an interactive display. Innovative lift technology allows you to raise or lower a display, up to 15.75" (400mm), with a lift of a finger. This allows the display height to be set to your preference instantly. For easy setup and storage, the lockable rear door provides a secure area for a PC and power strip, while cable management channels provide a neat appearance. The cart's large wall plate and locking casters provide a stable foundation for touch applications, and the integrated handles allow you to easily maneuver the cart from room to room. For added protection, the corner bumpers prevent damage to walls or doorways. The stainless steel accents and black powder coat finish provide a nice aesthetic to complement this highly functional solution that is ideal for any touchscreen application.

Additional Features

- ✓ Display height can be adjusted up to 15.75" (400mm) with the touch of a finger
- ✓ Integrated cable management protects, contains and conceals cables for a clean, professional installation
- ✓ Maneuvers easily on 4" (102mm) swivel casters, two locking
- ✓ Corner bumpers protect walls and doorways from damage
- ✓ Textured black powder coat finish helps to hide finger prints and dust, while stainless steel accents provide an attractive appearance
- ✓ Universal display adaptor fits mounting patterns from 200 x 200mm to 600 x 400mm
- ✓ Lockable rear enclosure to store PC, UPS or surge protector
- ✓ Maintenance-free solution
- ✓ SR584VL2 accommodates displays weighing from 90.2 – 154lb (41 – 70kg)
- ✓ SR584VL3 accommodates displays weighing from 145.2 – 209lb (60 – 95kg)
- ✓ Sliding lever can lock the display in the lowest position while moving the cart
- ✓ Top of cabinet provides an opening for installation of external wifi antennas

The Peerless-AV® Collaboration Cart is a mobile solution that provides seamless interaction between technology and the user.



Touchboards

205 Westwood Ave, Long Branch, NJ 07740
Phone: 866-94 BOARDS (26273) / (732)-222-1511
Fax: (732)-222-7088 | E-mail: sales@touchboards.com

Innovative lift technology allows you to safely raise or lower a display up to 15.75" with just a finger



Complies with the ADA Standards for Accessible Design, Section 308.

Model Numbers

WARRANTY: Limited 5-year

SR584VL2	SmartMount® Collaboration Cart With Vertical Lift for 90.2 – 154lb (41 – 70kg) Interactive Displays
SR584VL3	SmartMount® Collaboration Cart With Vertical Lift for 145 – 209lb (66 – 95kg) Interactive Displays

Product Specifications

	DIMENSIONS (W X H X D)	PRODUCT WEIGHT	LOAD CAPACITY	FINISH	AVAILABLE COLORS
SR584VL2	46.79" x 68.28" x 30.06" (1189 x 1734 x 763mm)	176.5lb (80.1kg)	90.2 – 154lb (41 – 70kg)	Textured	Black
SR584VL3			145 – 209lb (66 – 95kg)		

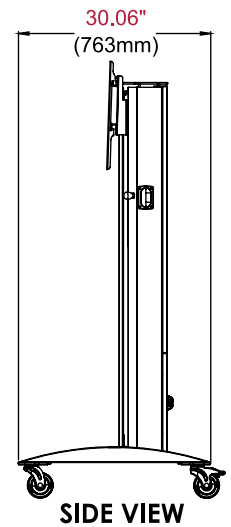
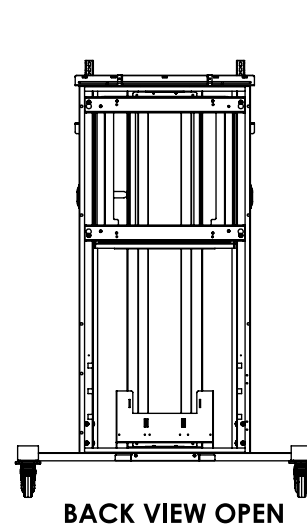
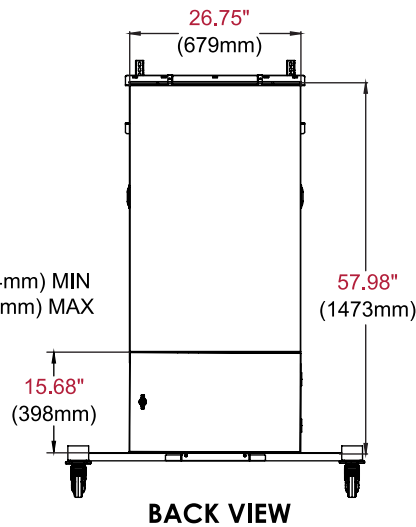
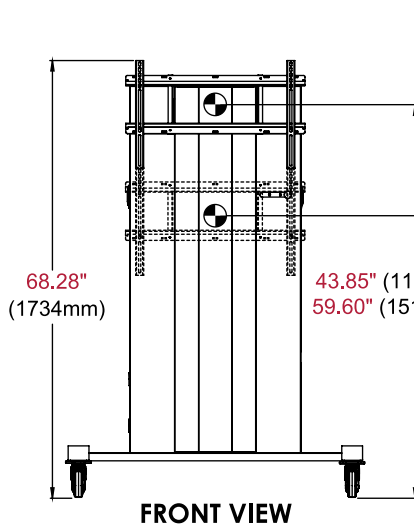
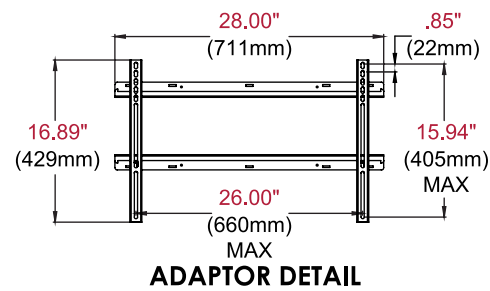
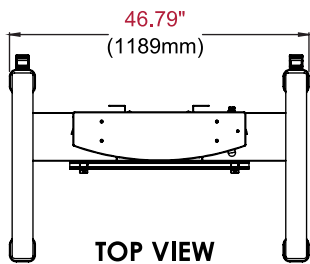
Package Specifications

	PACKAGE SIZE (W x H x D)	PACKAGE SHIP WEIGHT	PACKAGE UPC CODE	PACKAGE CONTENTS	UNITS IN PACKAGE
SR584VL2	48.00" x 18.00" x 60.00" (1219 x 457 x 1524mm)	228.5lb (103.6kg)	735029315155	Cart, Casters, Vertical Lift, Hardware	1
SR584VL3			735029315162		

Accessories

ACC310:	Feet Accessory	PVP1100-CPL6:	Six Outlet Surge Protector
ACC316:	Safety Belt		

All dimensions = inch (mm)



Architect Specifications

The SmartMount® Collaboration Cart With Vertical Lift shall be a Peerless-AV model SR584VL2 or SR584VL3 and shall be located where indicated on the plans. Assembly and installation shall be done according to instructions provided by the manufacturer.

Visit peerless-av.com to see the complete line of AV solutions from Peerless-AV, including outdoor displays, wireless, kiosks, digital audio, display mounts, projector mounts, carts/stands, and a full assortment of accessories.

Peerless-AV
2300 White Oak Circle
Aurora, IL 60502 USA
(800) 865-2112
(630) 375-5100
Fax: (800) 359-6500

Peerless-AV Europe
Unit 3 Watford Interchange
Colonial Way, Watford
Herts, WD24 4WP
United Kingdom
+44 (0) 1923 200100
Fax: +44 (0) 1923 200101

Peerless-AV de México
Ave de las Industrias 413
Parque Industrial Escobedo
Escobedo, N.L.,
Mexico 66050
+52 (81) 8384-8300
Fax: +52 (81) 8384-8360

peerless-AV®

LIT-1568 rev.1