



User Guide

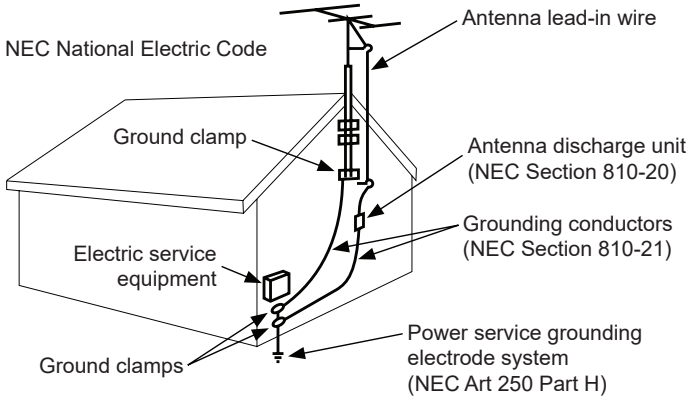
ULTRAVIEW™ UHD OUTDOOR TELEVISION



SYSTEM INSTALLATION AND ELECTRICAL REQUIREMENTS

Electrical Code

Note: To the display system installer: This reminder is provided to call attention to Article 820-44 of the National Electric Code that provides guidelines for proper grounding and, in particular, specifies that the cable ground shall be connected to the grounding system of the facility. Outlet shall be installed near the equipment and shall be easily accessible.



Note: Installation shall incorporate UL Listed external surge protection rated 2500 Vpk or less, for 150 to 300 Vac mains, installed in accordance with Article 285 of ANSI/NFPA 70 or applicable local codes.

Power Source

The display must be connected to a mains socket outlet with a protective grounding connection.

The mains plug is used as the disconnect device and shall remain readily accessible.

Electrical installation shall be in accordance with the applicable parts of Chapter 8 of ANSI/NFPA70.

An outdoor antenna should not be located near overhead electrical lines or any electrical circuits.

If an outside antenna is connected to the receiver, confirm that the antenna system is grounded to protect against voltage surges and built up static charges. Section 810 of the National Electric Code, ANSI/NFPA No 70-1984, provides information with respect to proper grounding for the mast and supporting structure, grounding of the lead-in wire to an antenna discharge unit, size of grounding connectors, location of antenna discharge unit, connection to grounding electrodes and requirements for the grounding electrode.

This display operates on 100-240 volts 50-60 Hz, AC current. Insert the power cord into a 120 volt 60 Hz outlet. Never connect the display to direct current or anything other than the specified voltage.

To prevent electric shock from the display, do not use with an extension cord, receptacle, or other outlet unless the blades and ground terminal can be fully inserted to prevent blade exposure.

All secondary lines must be routed through grounded conduit and kept separate from AC line.



FCC CAUTION

To assure continued compliance and possible undesirable interference, ferrite cores may be used when connecting this display to video equipment; maintain at least 400mm (15.75 inches) spacing to other peripheral devices.

FCC STATEMENT

This equipment has been tested and found to comply with the limits for a Class B digital device, pursuant to Part 15 of the FCC Rule. These limits are designed to provide reasonable protection against harmful interference in a residential installation. This equipment generates, uses and can radiate radio frequency energy and, if not installed and used in accordance with these instructions, may cause harmful interference to radio communications; however, there is no guarantee that interference will not occur in a particular installation. If this equipment does cause harmful interference to radio or television reception, which can be determined by turning the equipment off and on, the user is encouraged to try to correct the interference by one or more of the following measures:

1. Reorient or relocate the receiving antenna.
2. Increase the separation between the equipment and receiver.
3. Connect the equipment into an outlet on a circuit different from that to which the receiver is connected.
4. Consult the dealer or an experienced radio/display technician for help.

This device complies with Part 15 of the FCC Rules. Operation is subject to the following two conditions:

- This device may not cause harmful interference.
- This device must accept any interference received, including interference that may cause undesired operation.

Relevant Information

Record your display's model and serial number here for future reference. Keep this user manual in an accessible location in the event service is required.

Note: Your display's serial number can be found on the box and underneath the rear cover plate.

Model Number _____

Serial Number _____

GENERAL SAFETY PRECAUTIONS

Read before operating equipment

Thank you for purchasing our product. Before using it, please read this user guide carefully and follow the instructions for safe operation. Please keep this manual for future reference and always include it when transferring or transporting this product to a different location.

▲ WARNING

In case of emergency such as fire or electric shock caused by the product, immediately contact 911 or proper emergency police/fire service agencies in your country.

To reduce the risk of electric shock or fire, heed the following:

- In case of product malfunction or unusual events such as electrical burning smell, smoke, or loss of content signals due to internal overheating, immediately turn off, unplug the electrical cord and contact the manufacturer.
- Do NOT disassemble, modify or service product in any way other than that contained in this instruction. Any unauthorized modifications made to the product automatically void product warranty.
- Do NOT touch antenna lines or wires, electrical cables or plugs when lightning or thunder is present or with wet hands
- Do NOT submerge in water.
- Do NOT destroy, process, or place close to any heat source.
- Do NOT install near poisonous gas or chemically unstable atmosphere.
- Do NOT install near strong magnetic or electrical current field.
- Do NOT install the product in unstable locations or near moving objects, constantly vibrating equipment, or uneven surfaces.
- Do NOT leave any fire source, such as candles, close to or on the product.
- Do NOT operate the product if it has been dropped or struck. Severe physical impact to the product may cause components to fall out of place within and break.
- Do NOT bend or twist electrical cords, electrical plugs, cables, or wires with excessive force.
- Do NOT block ventilation slots or place any heavy object on the product.
- Use properly rated electrical voltage.
- Do NOT use any electrical sockets or power strips with many other devices jointly plugged in. Use a single, directly dedicated and rated GFCI electrical outlet for the product for safe operation.
- Do NOT move or transport with any cables (electrical, content connectivity) plugged in to the source devices.
- Always connect the electrical plug firmly and completely. When disconnecting any cables, always pull on the plug and not the cord.
- Always leave the power off when plugging or unplugging the electrical cords or connection cables.
- Do not defeat the safety purpose of the polarized or grounding type electrical plug. A polarized plug has two blades with one wider than the other. A grounding type plug has two blades and a third grounding prong. The wide blade or the third prong are provided for your safety. If the provided plug does not fit into your outlet, consult an electrician for replacement of the obsolete outlet.
- Protect the electrical cord from being walked on or pinched particularly at plugs, convenience receptacles, and the point where they exit from the apparatus.

▲ WARNING

- Never apply pressure to the exterior of the LCD screen.
- If monitor or glass is broken, do not come in contact with the liquid crystal and handle with care.
- Do NOT climb on the product.
- Do NOT install within five feet from a body of water.
- Do NOT use if ambient air temperature exceeds the operating limits.
- Do NOT install in enclosure or recessed cavity with less than 2 inches of airflow around the display. Air inside fully encased display must be ventilated.
- The product is to be secured to building before operation.
- Product must be carried and supported by at least two persons.
- Periodically clean dust off the electrical plug to keep it clean and dry, ensuring proper and safe operation.
- Only use attachments/accessories specified by the manufacturer.

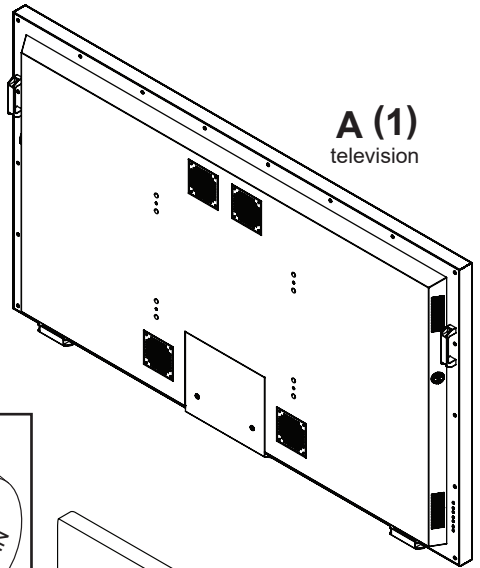
CONTENTS

System Installation And Electrical Requirements	2
Electrical Code	2
Power Source	2
FCC Caution.....	3
FCC Statement.....	3
Relevant Information	3
General Safety Precautions	4
Set Up Instructions	7
Parts List	7
Removing Cord Cover.....	8
Installing Power Cord	8
Connecting Cords	9
Installing IR Extender	9
Replacing Cord Cover.....	10
Connecting To The Power Source.....	11
Prepare The Display For Mounting	12
Remote Control Battery Installation And Replacement	14
Operating Instructions	15
Power On/Off the Display.....	15
Onboard Controls	15
Navigating The On-Screen Menu	16
Channel	16
Picture	16
Audio	16
Time	17
Setup	17
Lock	18
USB Functionality	19
(RS-232C) Serial Control Of The TV	21
Maintenance	22
Care Of Screen	22
Mobile Telephone Caution	22
End Of Life Directives	22
Clean Fan Filter	23
Warranty	24

SET UP INSTRUCTIONS

Parts List

Description	Qty
A television	1
B remote	1
C 3mm allen wrench	1
D IR extender	1
E regional power cord	1
F dust cover	1
G user guide (not shown)	1
H technical support insert (not shown)	1



B (1)
remote



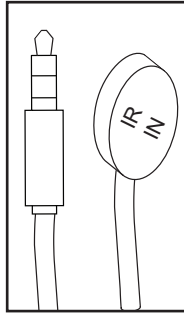
C (1)

3mm allen wrench

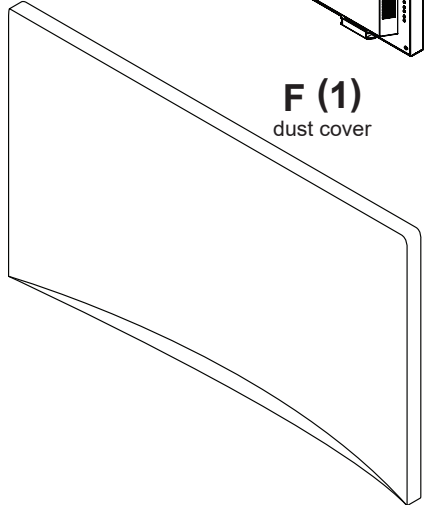


D (1)

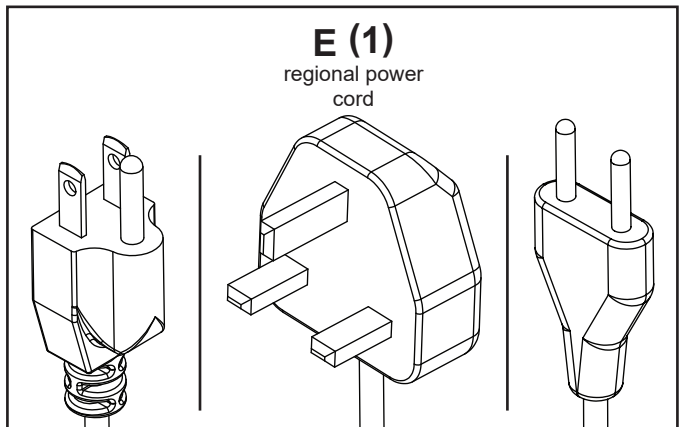
IR extender



F (1)
dust cover

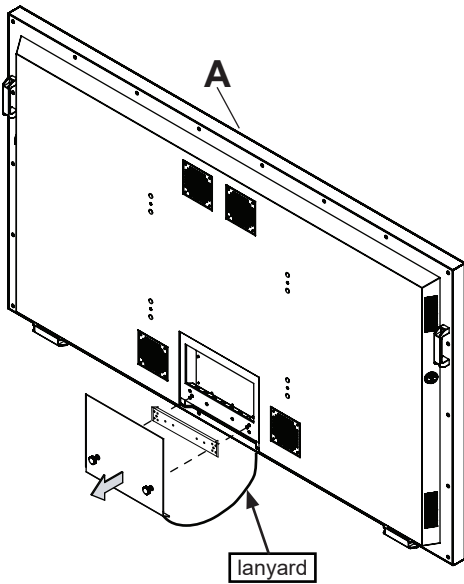


E (1)
regional power
cord



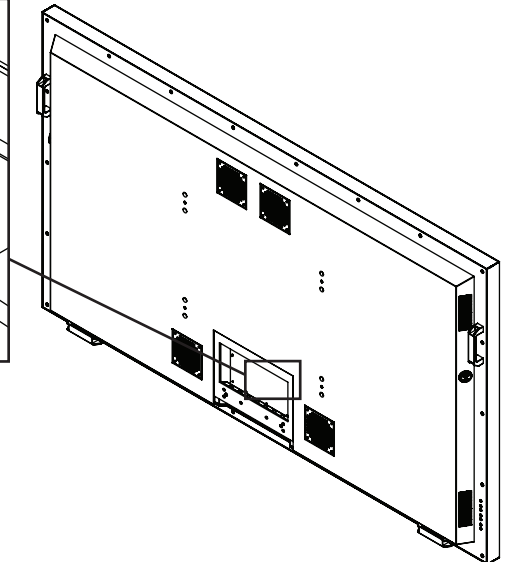
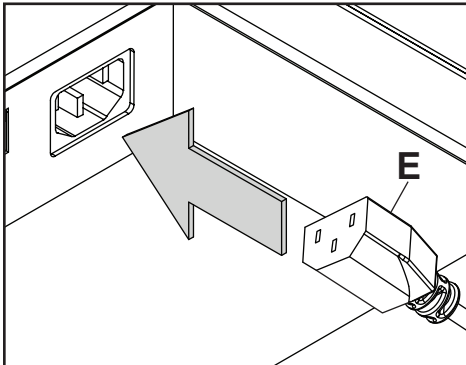
Removing Cord Cover

Unscrew (2) captivated thumbscrews and remove cord cover plate to access source connection panel. Do not disconnect lanyard.



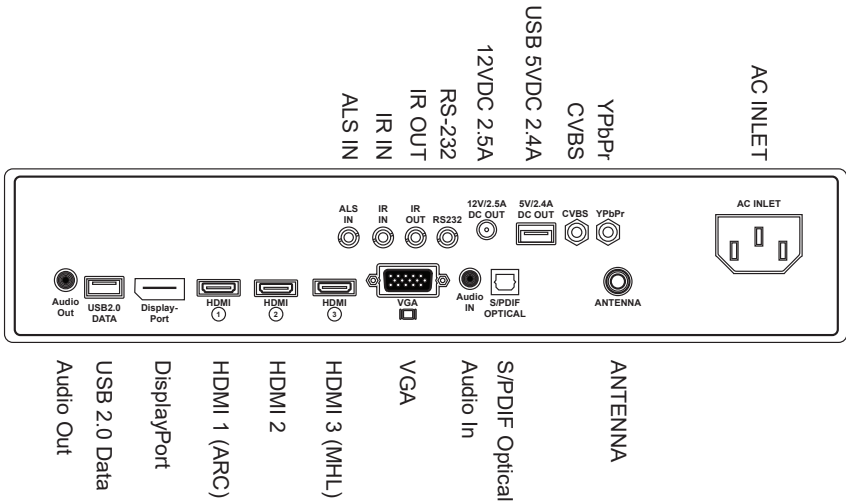
Installing Power Cord

Insert female end of power cord (E) into power port located inside the input compartment.



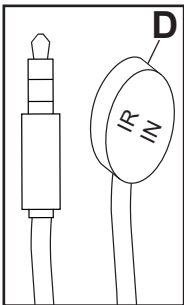
Connecting Cords

Connect source devices to appropriate display input. Make all connections prior to powering on the display. The USB 2.0 Data port is for service and media only. For 5VDC power, use the 5VDC power port.



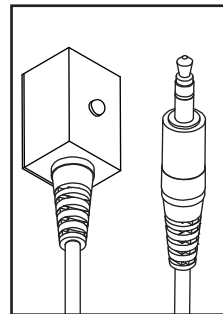
Installing IR Extender (Optional)

Insert the 3.5mm end of the included 5V IR extender into the IR Extender port on the input panel of the display. IR extender port may not be compatible with other 3rd party extenders.



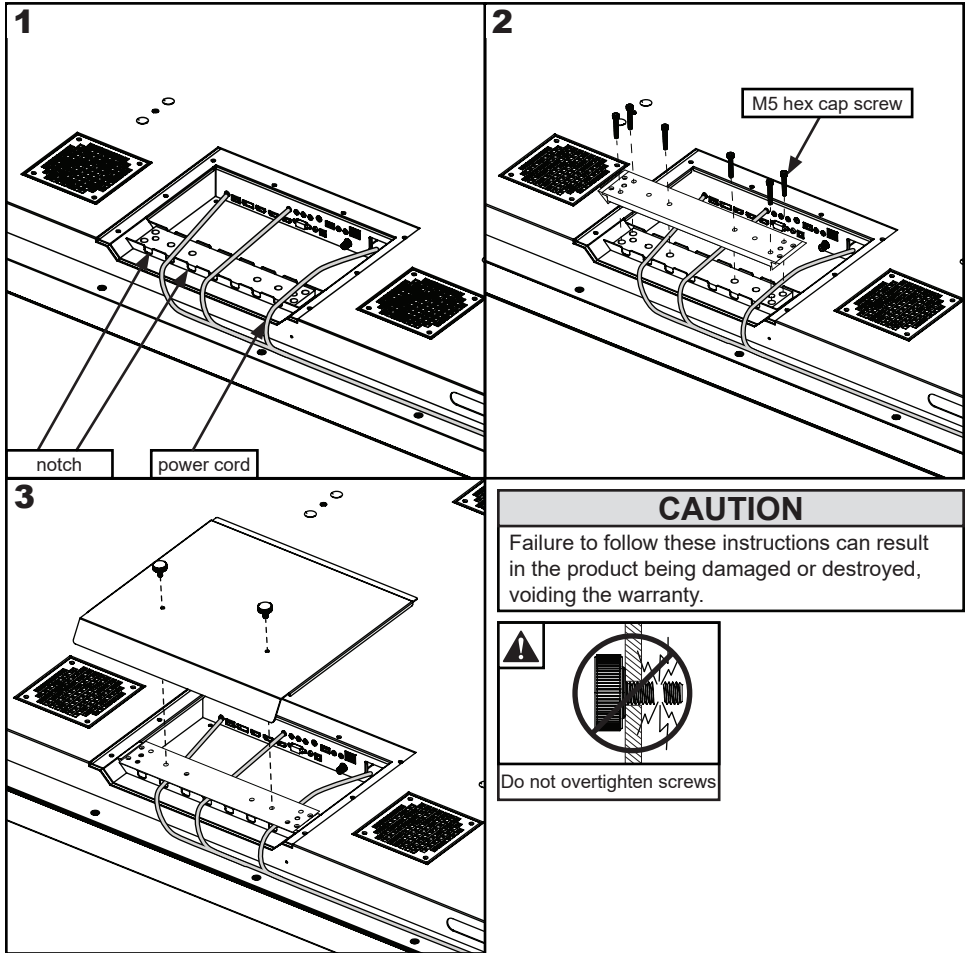
Installing Ambient Light Sensor (ALS) Extender (Optional)

Insert the 3.5mm end of the included ALS Extender (ACCD-ALS sold separately) into the ALS Extender port on the input panel of the display. Connecting the ALS Extender will disable the ALS that is built into the display.



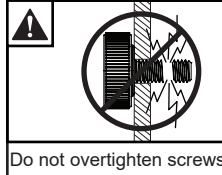
Replacing Cord Cover

1. Run power and signal cords through notches. To prevent unwanted interference, route the power cord through the right most notch (see image 1 below).
2. Place the cord cover over the cords being careful not to pinch any of the cords. Loosely install (6) M5 hex cap screws on the cord cover using 3mm allen wrench (C) until the gasket on the cover is fully compressed to the cord gasket .
3. Replace the rear cover plate ensuring that the cords are running through the notches on the display and not getting pinched. Fasten the (2) thumb screws on the rear cover plate to secure it in place using 3mm allen wrench (C). Ensure that rear cover plate is fully compressed to the back of the display.



CAUTION

Failure to follow these instructions can result in the product being damaged or destroyed, voiding the warranty.

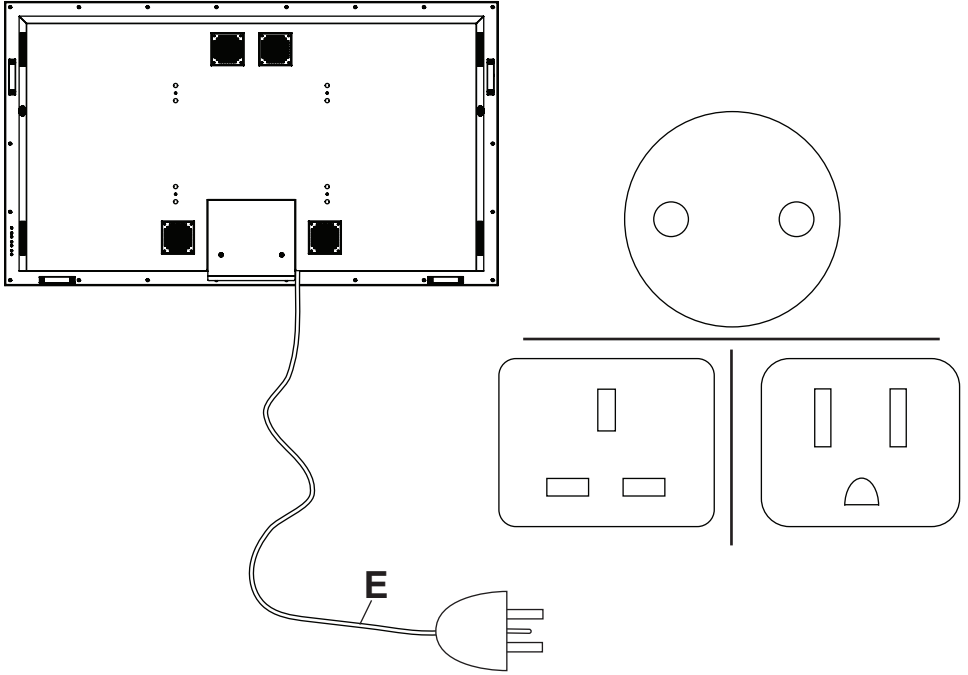


CAUTION

- Ensure cord bend radius does not exceed limits set by the manufacturer.
- Ensure cords are seated properly in the cable channels to avoid potential damage to cords when rear cover plate is installed.
- Do not remove lanyard that connects the rear cover plate to the display.
- If the installation requires the cabling to be routed upward, ensure that the cables are routed with a drip loop.

Connect To The Power Source

Connect power cord to GFCI outlet.



Prepare The Display For Mounting

Install cords prior to mounting your display. Input panel may be obstructed once the display is mounted.

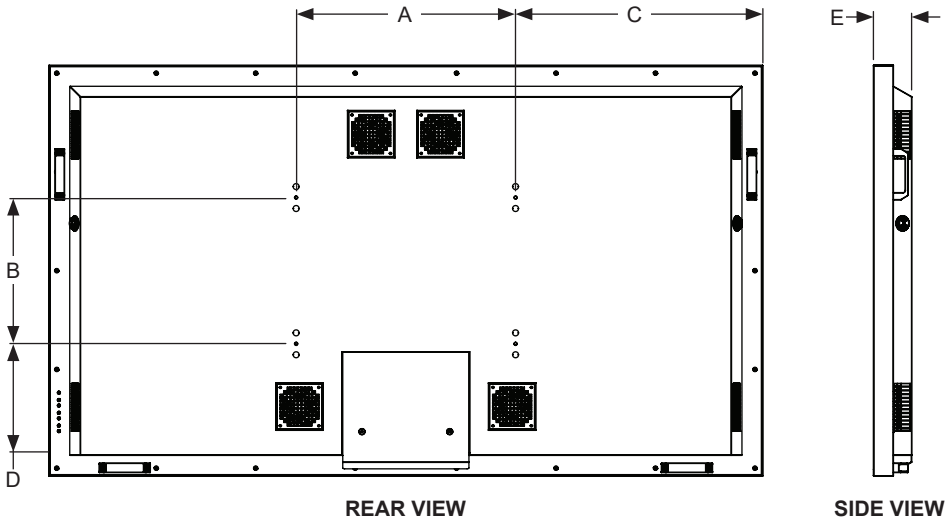
A mounting solution is sold separately. Contact your Peerless-AV representative for an outdoor rated mounting solution for your particular application.

For your safety, only install an outdoor-rated mount that is suitable for the application and supports the weight of the display. When mounting a display outdoors, use proper environmentally rated mounts to ensure longevity in harsh environments.

Examine the chart below to determine the mounting specifications for your display:

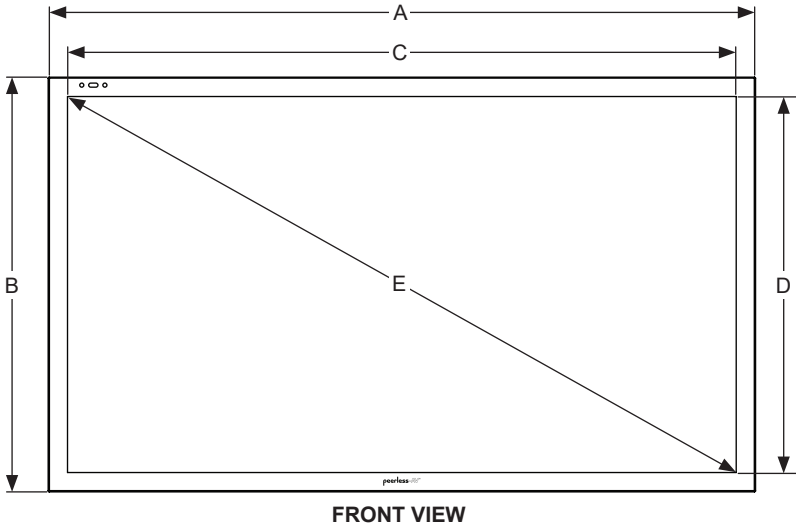
Model	Mounting Hole Pattern	Required Mounting Screws
UV862	600x400mm	(4) M8 screws (25mm long)

Model	A	B	C	D	E
UV862	23.62" (600mm)	15.75" (400mm)	26.62" (676mm)	11.96" (304mm)	4.13" (105mm)



Prepare The Display For Mounting

Model	A	B	C	D	E
UV862	76.87" (1953mm)	44.24" (1124mm)	74.47" (1891mm)	41.83" (1062mm)	85.40" (2169mm)



Remote Control Battery Installation And Replacement

The remote control is powered by two 1.5V AAA batteries installed at the factory.

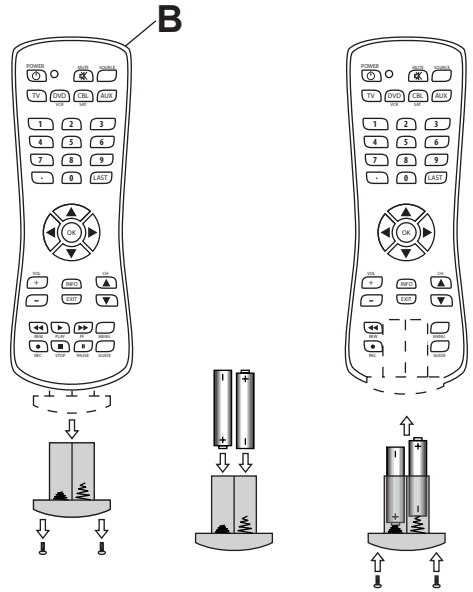
To install or replace batteries:

1. To remove the battery module of the remote control, remove the two screws on the end of the battery module. Slide the battery module out of the remote control.
2. Insert two new "AAA" size batteries into the battery module.
3. Slide the battery module back into the remote control and reinsert the two screws in the end of the battery module.

⚠ CAUTION

Incorrect usage of batteries can result in leaks or bursting. Peerless-AV recommends the following battery use:

- Do not mix battery brands.
- Do not combine new and old batteries. This can shorten the battery life or cause battery acid leaks.
- Remove dead batteries immediately to prevent battery acid from leaking into the battery compartment.
- Do not touch exposed battery acid as it may injure skin.
- Remove the batteries if you do not intend to use the remote control for a long period of time.
- Do not expose the batteries to excessive heat from sunlight, fire or other heat sources or batteries could explode.
- Fully tighten screws to maintain the ingress protection rating of the remote.

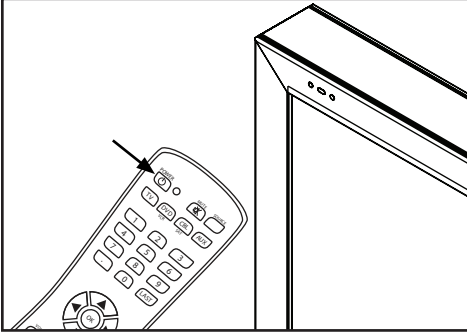


OPERATING INSTRUCTIONS

Power On/Off The Display

Power on your TV by using the remote control or the rear power button on the side of the TV. The TV will power on but image may not appear for several seconds as it completes its power up sequence.

Point the remote control at the IR sensor located at the top, left-hand corner of the TV and press the power button










Onboard Controls

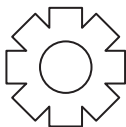
Direct Mode: Allows for quick access to source selection, volume settings and channel selection.

Menu Mode: Press the Menu button to access Menu Mode and activate the On Screen Display (OSD). For a description of OSD operation refer to the next section.

The keypad buttons are assigned as indicated in the table below.

Direct Mode	Menu Mode	
On/Off	On/Off	
Input Select	Input Select	
Menu	Return	
Channel Up	Up	
Channel Down	Down	
Volume Up	Right/OK	
Volume Down	Left/OK	

Navigating The On Screen Menu



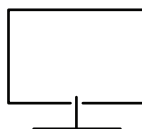
Channel

Air / Cable	Choose between antenna and cable
Auto Scan	Searches for available channels
Favorite	Shows favorite channels
Show/Hide	Show or hide channels
Channel No.	Displays list of channels
Channel Label	Change channel names
DTV Signal	Displays channel info and signal strength



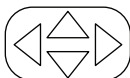
Audio

Equalizer	Standard Music Movie Sports Personal
Digital Output (Optical)	Off PCM Raw
Surround	On / Off
AVC	On / Off



Picture

Picture Mode	Standard Dynamic Theater Personal
Color Temp.	Cool Normal Warm Personal
HDMI Mode	Video Mode / PC Mode
Zoom Mode	4:3 16:9 Zoom Cinema
Backlight	0 - 100
DLC (Dynamic Backlight)	On / Off
Color Range	Auto 16 - 234 0 - 255
3DNR	On / Off
MEMC	Off Low Middle High
ECO	Internal ALS (Auto) External ALS (Auto using Extender) Low (Preset) Middle (Preset) High (Preset) Personal (0 -100 brightness)



Navigate

OK

Enter

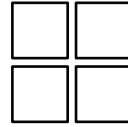
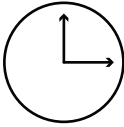
EXIT

Exit

MENU

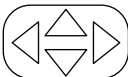
Return

Navigating The On Screen Menu

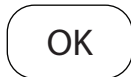


Time		
Sleep Timer	off	60 min
	5 min	90 min
	10 min	120 min
	15 min	180 min
	30 min	240 min
Time Zone	Atlantic	Pacific
	Eastern	Alaska
	Central	Hawaii
	Mountain	Korean
Time Format	12-hour / 24-hour	
Auto Sync	On / Off	
Clock	Year (User Define)	
	Month: 1 - 12	
	Day: 1 - 31	
	Hour: 12am - 11pm	
	Minute: 0 - 60	
Wake Up	Year (User Define)	
	Month (User Define)	
	Day (User Define)	
	Hour (User Define)	
	Minute (User Define)	
	Wake Up (Off, Once, Everyday)	

Setup		
Menu Languages	English	
	Spanish	
	French	
	German	
	Italian	
	Russian	
Transparent (Menu Transparency)	0%	75%
	25%	100%
	50%	
Closed Caption	CC On	
	CC On Mute	
	CC Off	
Restore Defaults	Yes / No	
Setup Wizard	enabled with antenna connected	
Software Update	Yes / No	
CEC		
CEC Control	On / Off	
Device Auto Power Off	On / Off	
TV Auto Power On	On / Off	
Audio Receiver	On / Off	
EDID Switch	1.4 / 2.0	
No Signal Auto Power Off	On / Off	
Media Player	Off	
	Movie	
	Photo	



Navigate



Enter



Exit

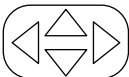


Return

Navigating The On Screen Menu



Lock	
System Lock	
Enter Password to enter System Lock settings Default Password: 0000	
Change password	Allows the password to be changed
System Lock	On / Off
Input Block	TV, AV, Component, DP, HDMI 1, HDMI 2, HDMI 3, PC, USB
Unrated	On /Off
Hotel Mode	
Enter password to enter hotel mode settings Default Password: 0000	
Hotel Mode	On / Off
Change Password	Allows the password to be changed
Picture Mode	Standard, Dynamic, Theater, Personal
Sound Mode	Standard, Music, Movie, Sports, Personal
Key Lock	On / Off
Power On Source	TV, AV, Component, DP, HDMI 1, HDMI 2, HDMI 3, PC, USB
Air / Cable	Air, Cable
Power On Channel	Set channel that display will tune to when powered on
Power On Volume	0 - 100
Max Volume	0 - 100
Clear All	Yes / No



Navigate



Enter



Exit

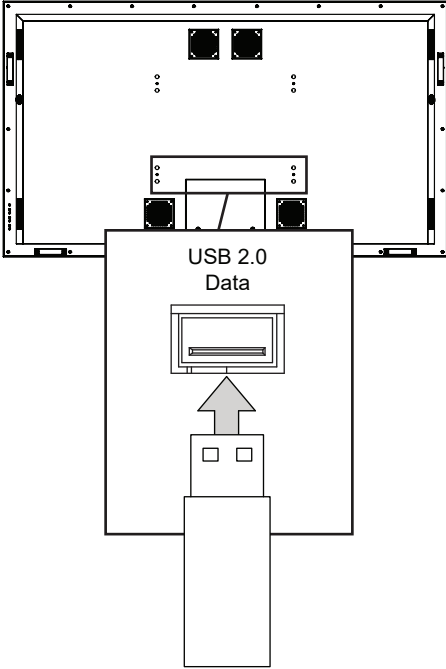


Return

USB Functionality

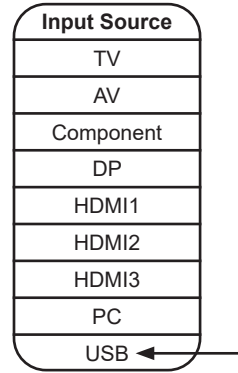
1

[ENG] Insert USB flash drive into USB 2.0 Data port on the input panel of the display.



2

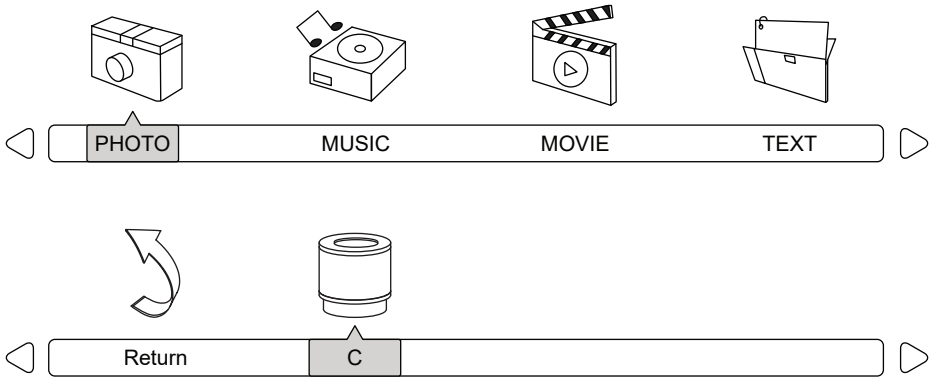
[ENG] Select USB source to access content.



USB Functionality

3

ENG Select media type and folder where content is stored.



4



Photos – To view a single photo, select photo and press play. To view a slide show, select multiple photos and press play. Use on screen menu to control slide show.



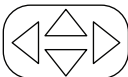
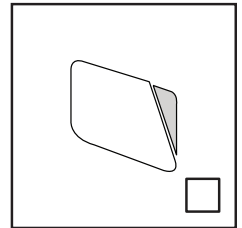
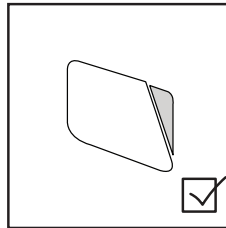
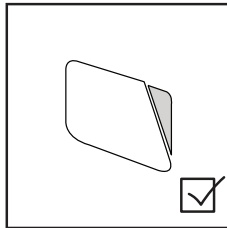
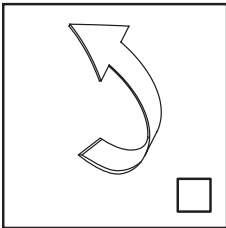
Movies – To view a single video, select video and press play. To view a playlist, select multiple videos and press play. Use on screen menu to control playlist.



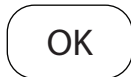
Music – To listen to a single song, select song and press play. To listen to a playlist, select multiple songs and press play. Use on screen menu to control playlist.



Text – To view to a single text file, select file and press play. To view a playlist, select multiple files and press play. Use on screen menu to control playlist.



Navigate



Enter



Exit



Hide Menu

(RS-232C) Serial Control Of The Display

Attach an RS-232C cable (straight through type) to the supplied D-Sub RS-232C to utilize serial control function. Control via RS232 should only be utilized by experts familiar with RS232 programing.

Menu:	A0, F0, 55, FF, 4E, B1	Mute:	A0, F0, 55, FF, 14, EB
Right:	A0, F0, 55, FF, 05, FA	Sleep:	A0, F0, 55, FF, 53, AC
OK:	A0, F0, 55, FF, 02, FD	AV:	A0, F0, 55, FF, ED, 12
Down:	A0, F0, 55, FF, 0D, F2	VGA:	A0, F0, 55, FF, EA, 15
Up:	A0, F0, 55, FF, 17, E8	HDMI Toggle:	A0, F0, 55, FF, EC, 13
Left:	A0, F0, 55, FF, 0C, F3	HDMI1:	A0, F0, 55, FF, DE, 21
Source:	A0, F0, 55, FF, 01, FE	HDMI2:	A0, F0, 55, FF, DF, 20
(1):	A0, F0, 55, FF, 42, BD	HDMI3:	A0, F0, 55, FF, E0, 1F
(2):	A0, F0, 55, FF, 43, BC	DisplayPort:	A0, F0, 55, FF, E4, 1B
(3):	A0, F0, 55, FF, 0F, F0	TV:	A0, F0, 55, FF, E8, 17
(4):	A0, F0, 55, FF, 1E, E1	Component:	A0, F0, 55, FF, E7, 18
(5):	A0, F0, 55, FF, 1D, E2	USB:	A0, F0, 55, FF, 57, A8
(6):	A0, F0, 55, FF, 1C, E3	PMODE:	A0, F0, 55, FF, 4B, B4
(7):	A0, F0, 55, FF, 18, E7	Zoom:	A0, F0, 55, FF, 51, AE
(8):	A0, F0, 55, FF, 45, BA	SMODE:	A0, F0, 55, FF, 5B, A4
(9):	A0, F0, 55, FF, 4C, B3	VOL 25%:	A0, F0, 55, FF, 21, DE
(0):	A0, F0, 55, FF, 56, A9	VOL 50%:	A0, F0, 55, FF, 22, DD
Exit:	A0, F0, 55, FF, 1B, E4	VOL 75%:	A0, F0, 55, FF, 23, DC
Power On:	A0, F0, 55, FF, AE, 51	VOL 100%:	A0, F0, 55, FF, 24, DB
Power Off:	A0, F0, 55, FF, AD, 52	Brightness 25%:	A0, F0, 55, FF, 26, D9
Power On/Off:	A0, F0, 55, FF, 0B, F4	Brightness 50%:	A0, F0, 55, FF, 27, D8
Volume +:	A0, F0, 55, FF, 0A, F5	Brightness 75%:	A0, F0, 55, FF, 28, D7
Volume -:	A0, F0, 55, FF, 40, BF	Brightness 100%:	A0, F0, 55, FF, 29, D6
Channel +:	A0, F0, 55, FF, 55, AA	Dash:	A0,F0, 55, FF, 2E, D1
Channel -:	A0, F0, 55, FF, 5A, A5	Channel List:	A0, F0, 55, FF, 59, A6
Surround:	A0, F0, 55, FF, C7, 38	Channel Return:	A0, F0, 55, FF, 15, EA
CC:	A0, F0, 55, FF, 44, BB	Key Lock On:	A0, F0, 55, FF, 61, 9E
EPG:	A0, F0, 55, FF, 49, B6	Key Lock Off:	A0, F0, 55, FF, 60, 9F
Info:	A0, F0, 55, FF, 50, AF	MTS:	A0, F0, 55, FF, 11, EE

COM Settings	
Baud Rate	38400
Data Bits	8
Parity	None
Stop Bits	1

MAINTENANCE

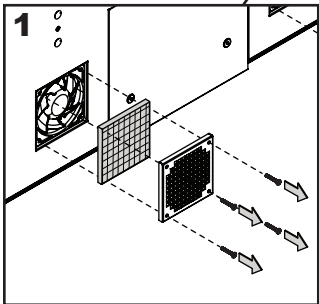
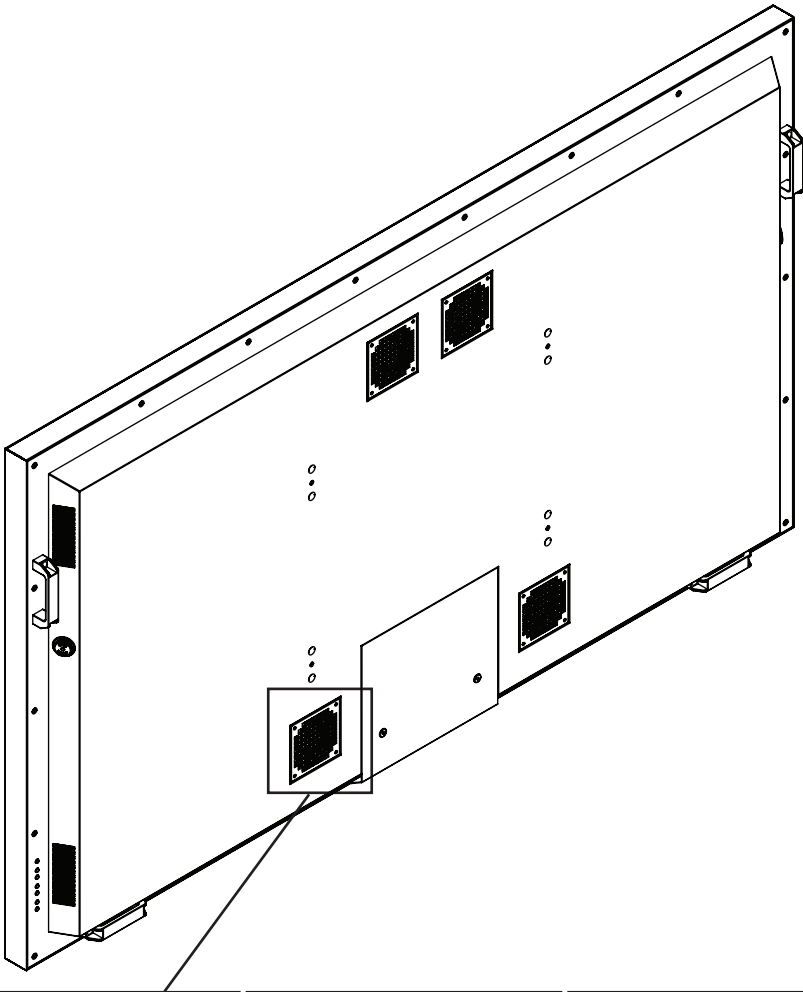
Care Of The Screen

Do not rub or strike the screen with anything hard as this may scratch, mark, or even damage the screen permanently. Ensure that the TV is installed in a location where it will be safe from abrasives and flying debris, which could damage the LCD panel. Never use ammonia or any product containing ammonia, as it will damage the anti-glare coating on the face of the display. Only use an approved screen cleaner to clean the display face. Dust the display by wiping the screen and the cabinet with a soft, clean cloth. If the screen requires additional cleaning, use a clean, damp cloth. Do not use aerosol cleaners or solvents of any kind. Do not use any chemical such as paint thinner or benzene to clean the product's exterior. It may cause scratches on the surface, erasing proper indications, identification labels, or instructions on the exterior, which may cause misuse and improper operation of the product. To prolong the life of the TV, install the dust cover when the TV is not in use.

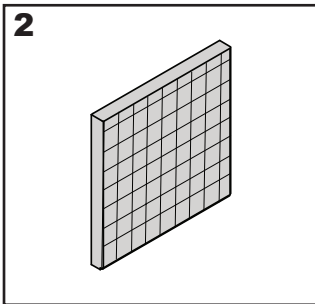
End Of Life Directives

In an effort to produce environmentally friendly products, your new display contains materials that can be recycled and reused. At the end of your display's life, specialized companies can minimize display waste by separating reusable materials from non-reusable materials. Please ensure you dispose of your display according to local regulations.

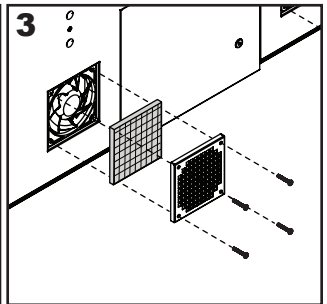
Clean Fan Filter



1 Remove cover.



2 Clean fan filter by running under water until clean.



3 Replace filter and cover.

ENG Warranty
ITL Garanzia

ESP Garantía
ČES Záruka

FRN Garantie
SLK Záruka

DEU Garantie
POR Garantia

NEL Garantie
TÜR Garanti

www.peerless-av.com/warranty

peerless-AV[®]

Peerless-AV

2300 White Oak Circle
Aurora, IL 60502
Email: tech@peerlessmounts.com
Ph: (800) 865-2112
Fax: (800) 359-6500
www.peerless-av.com

Peerless-AV Europe

Unit 3 Watford Interchange,
Colonial Way, Watford, Herts,
WD24 4WP, United Kingdom
Customer Care
44 (0) 1923 200 100
www.peerless-av.com

Peerless-AV América Latina

Av. de las Industrias 413
Parque Industrial Escobedo
General Escobedo N.L., México 66062
Servicio al Cliente
01-800-849-65-77
www.peerless-av.com