

DS-VWT955-2X2



Display size
40"-55"



Max load
400lb (182kg)

SMARTMOUNT.

Video Wall Ceiling Mount for 2x2 Configurations

FOR 40" TO 55" DISPLAYS

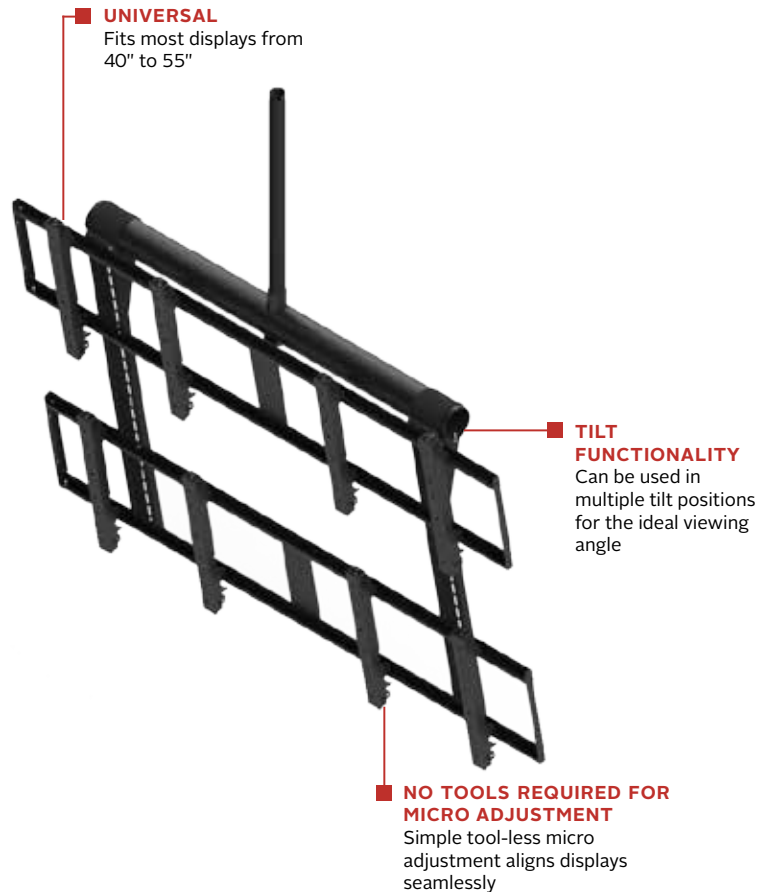
Video wall displays no longer need to be limited to just walls and carts. With the Peerless-AV® DS-VWT955-2X2, a video wall display can now be mounted to a ceiling. The tool-less micro adjustable design provides placement of four displays in a 2 x 2 configuration, neatly aligned on the same plane. With four tilt adjustment options you can be assured of the perfect viewing angle for your application. Ideal for department stores, entertainment venues or other large public areas. Compatible with Peerless-AV fixed length and adjustable length columns.

Expanding video wall placement options to the ceiling, the DS-VWT955-2X2 is ideal for large public areas.



Additional Features

- ✓ Ceiling mounted 2 x 2 video wall solution
- ✓ Supports mounting hole patterns of VESA® 200 x 200 up to 600 x 400mm.
- ✓ Additional patterns supported with adaptor plates
- ✓ Tilts options of 5°, 10°, 15° and 20°
- ✓ Eight points of tool-less micro adjustment provide precise alignment
- ✓ Compatible with Peerless-AV standard columns
- ✓ Included security hardware deters tampering and loss



DS-VWT955-2X2

SmartMount® Video Wall Ceiling Mount for 2 x 2 Configurations for 40" to 55" Displays

Product Specifications

	DIMENSIONS (W X H X D)	PRODUCT WEIGHT	LOAD CAPACITY	FINISH	AVAILABLE COLORS
DS-VWT955-2X2	71.54" x 49.0" x 10.5" (1817 x 1244 x 267mm)	85lb (39kg)	400lb (182kg)	Powder Coat	Black

Package Specifications

	PACKAGE SIZE (W x H x D)	PACKAGE SHIP WEIGHT	PACKAGE UPC CODE	PACKAGE CONTENTS	UNITS IN PACKAGE
DS-VWT955-2X2	Box 1: 67.4" x 17.1" x 4.7" (1712 x 435 x 119mm) Box 2: 73.5" x 17.1" x 4.7" (1867 x 435 x 119mm)	95lb (43kg)	735029283485	Left, right and center bracket, mounting frame, adaptor brackets and mounting hardware. Column and ceiling attachment sold separately	1

Accessories

ACC557, ACC600, DCT300, DCS400, DCT500, DCT600, DCT700, DCT800, DCT900:
ADD:

Peerless-AV Standard Ceiling Plates
Peerless-AV Standard Columns

Please select the column associated with the appropriate ceiling plate above

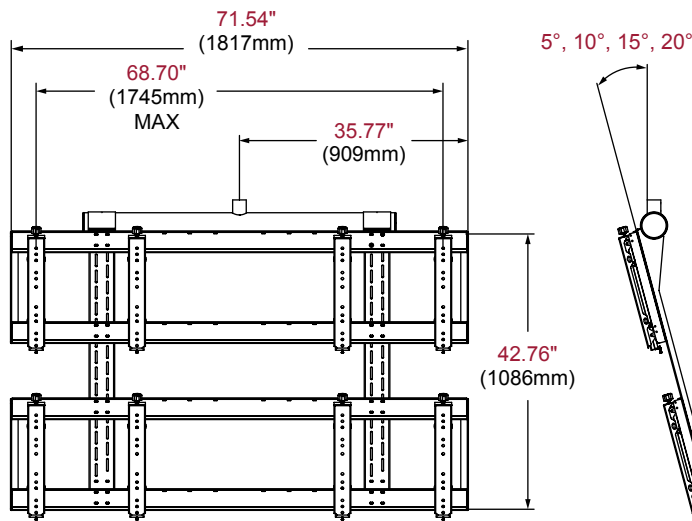
All dimensions = inch (mm)

COMPATIBILITY

Display width must be a minimum of 36"

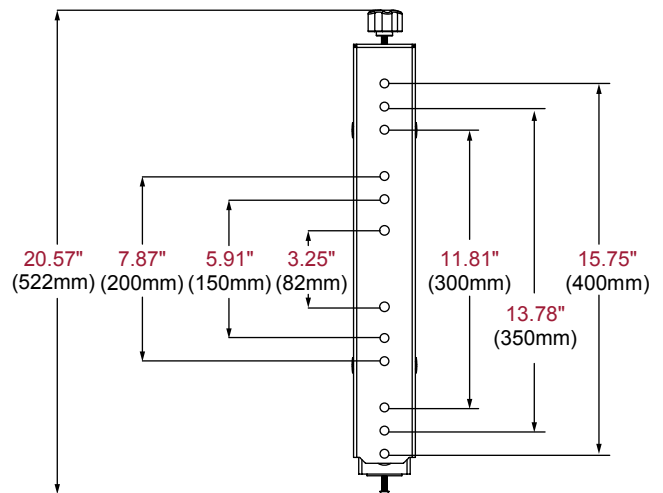
Display height must be >20.875" <27.16"

Screen width + horizontal mounting hole pattern must be less than 1745 mm



FRONT VIEW

SIDE VIEW



ADAPTER BRACKET

Architect Specifications

The SmartMount® Video Wall Ceiling Mount for 2 x 2 Configurations shall be Peerless-AV model DS-VWT955-2X2 and shall be located where indicated on the plans. It shall be constructed of heavy gauge steel. The finish shall be scratch resistant black fused epoxy. Assembly and installation shall be done according to instructions provided by the manufacturer.

Visit peerless-av.com to see the complete line of AV solutions from Peerless-AV, including outdoor displays, wireless, kiosks, digital audio, display mounts, projector mounts, carts/stands, and a full assortment of accessories.

Peerless-AV
2300 White Oak Circle
Aurora, IL 60502 USA

(800) 865-2112
(630) 375-5100
Fax: (800) 359-6500

Peerless-AV Europe
Unit 3 Watford Interchange
Colonial Way, Watford
Herts, WD24 4WP
United Kingdom
+44 (0) 1923 200100
Fax: +44 (0) 1923 200101

Peerless-AV de México
Ave de las Industrias 413
Parque Industrial Escobedo
Escobedo, N.L.,
Mexico 66050
+52 (81) 8384-8300
Fax: +52 (81) 8384-8360

