

## DS508



# Flat/Tilt Wall Mount with Media Device Storage For 27" to 60" Flat Panel Screens

The DS508 flat/tilt wall mount is an excellent dual-purpose solution for digital signage commercial applications, providing media controller housing and access as well as security features to protect your investment. The mount offers varying degrees of tilt for optimum viewing angles to provides the perfect viewing position. The open wall plate design gives plenty of wall access for installation of electrical outlets and running of input cables. Its box style design finishes off the look by hiding cables and external components from view for a truly clean, clutter-free installation. The bottom disengaging design allows the display to have a negative tilt enabling quick and easy access to the control equipment without having to remove the display. It comes standard with VESA® 100/200mm compliant mounting hole patterns and is compatible with Peerless' PLP adapter technology to accommodate a variety of flat panel displays. Functionality, a special housing area and security combined with serviceability make the DS508 the ideal solution for a variety of digital display applications.



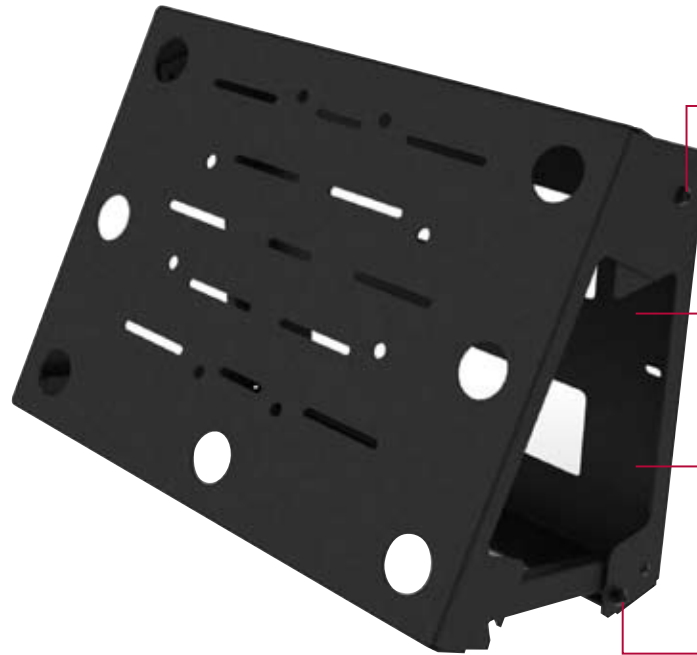
Screen size: 27"-60"



Max load: 200lb (91kg)

### FEATURES

- Rated to 200lb (91kg) for dual studs, 60lb (27kg) for single metal stud
- PLP compatible
- VESA® 100 x 100, 200 x 200, 200 x 100 and 200 x 200mm compliant
- Tilts at 0, 5, & 10 degrees
- Accommodates media device up to 3.95" x 14.9" x 13.3" (100 x 378 x 337mm)
- The media device can be removed from the bottom if replacement, repair, or maintenance is necessary without having to remove the TV
- Screens can be mounted in both landscape and portrait



**ADJUSTABLE VIEWING ANGLE**  
 0, 5, and 10 degree forward tilt options

**COMPONENT STORAGE**  
 Houses and stores computers, media controllers, and graphics drivers

**SIDE ACCESS**  
 Allows for quick content changes, fast installation, removal, replacement of media device connections and wiring

**PROP BARS**  
 Prop bars lower to brace the screen up and out media device replacement, maintenance, or repair



Full Tilt



Media Device Access



**DS508:** Flat/Tilt Wall mount with Media Device Storage for 27" to 60" Flat Panel Screens

**Product Specifications**

	DIMENSIONS (W x H x D)	PRODUCT WEIGHT	LOAD CAPACITY	FINISH	AVAILABLE COLORS
<b>DS508</b>	18.27" x 13.77" x 4.75" (464 x 350 x 121mm)	19 lb (8.6kg)	200 lb (91kg)	Scratch resistant fused epoxy	Black

**Package Specifications**

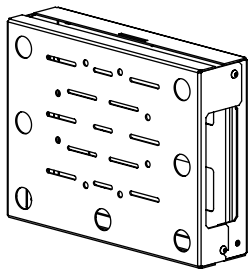
	PACKAGE SIZE (W x H x D)	PACKAGE SHIP WEIGHT	PACKAGE UPC CODE	PACKAGE CONTENTS	UNITS IN PACKAGE
<b>DS508</b>	23.88" x 22.38" x 5.13" (607 x 568 x 131mm)	24.3 lb (11.1 kg)	735029258186	Wall mount and fasteners	1

**Accessories**

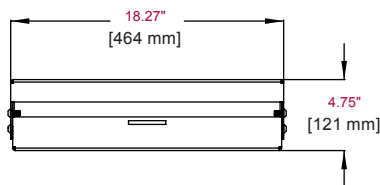
**PLP unit:** As required by screen selection

All dimensions = inch (mm)

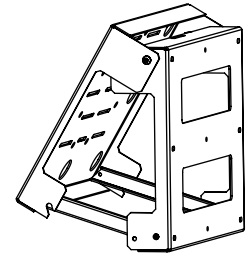
\* Wall interference could prohibit quick computer access for screens over 40"



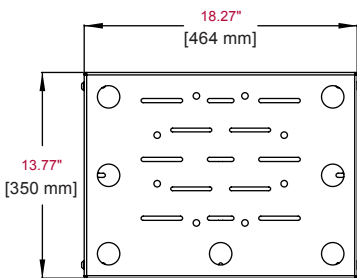
FRONT ISO VIEW



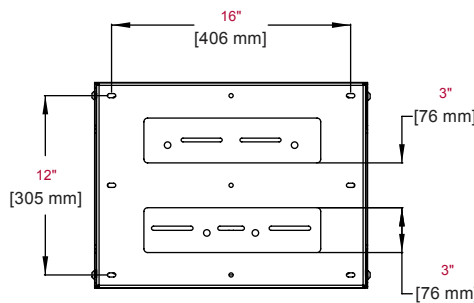
TOP VIEW



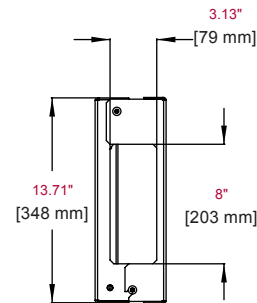
ACCESS VIEW



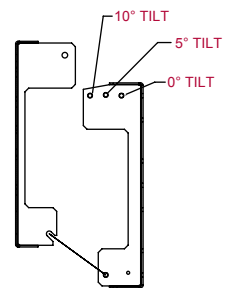
FRONT VIEW



BACK VIEW



SIDE VIEW



SIDE VIEW TILT

**ARCHITECTS SPECIFICATIONS**

The Custom Wall Mount shall be a Peerless model DS508 and shall be attached where indicated on the plans. Assembly and installation shall be done according to the instructions provided by the manufacturer.