

DST980-3



Multi-Display Ceiling Mount with Three Telescoping Arms

FOR 37" TO 80" DISPLAYS

The DST980-3 Multi-Display Ceiling Mount includes telescoping arms that holds three displays evenly spaced in a triangular configuration, helping you create the ideal multi-display ceiling mounted solution. Each arm's adjustable depth allows the installer to set the spacing between each display to meet your application's needs. With 360° of swivel, and 0° to 20° of tilt, this mount creates the perfect viewing angle for any application. The mount has been designed with superior aesthetics in mind and provides a bottom cover, resulting in sleek and clutter-free cable management throughout the entire solution.



Display size
37"-80"



Max load
495lb (225kg)
 165lb (75kg per display)

DST980-3's telescoping arms offer spacing flexibility, so you can find the perfect placement for your display.



Additional Features

- ✓ Universal mount fits displays with mounting patterns up to 730 x 405mm (28.75"W x 15.95"H)
- ✓ 0° to 20° of tilt and 360° of swivel at time of installation
- ✓ Arms telescope to allow for the desired display spacing
- ✓ Bottom cover provides aesthetically pleasing cable management
- ✓ Quad and Hex options also available

ADJUSTABLE VIEWING ANGLE
 0° to 20° of tilt and 360° of swivel provide the perfect viewing angle



ADJUSTABLE DISPLAY SPACING
 Telescoping arms adjust with the display width

SUPERIOR AESTHETICS
 Bottom cover hides cable from view

DST980-3 Multi-Display Ceiling Mount with Three Telescoping Arms for 37"-80" Displays

Product Specifications

	DIMENSIONS (W x H x D)	PRODUCT WEIGHT	LOAD CAPACITY	FINISH	AVAILABLE COLORS
DST980-3	59.00" x 21.80" x 59.00" (1499 x 554 x 1499mm)	119lb (54kg)	495lb (225kg) 165lb (75kg) per display	Matte/Flat	Black

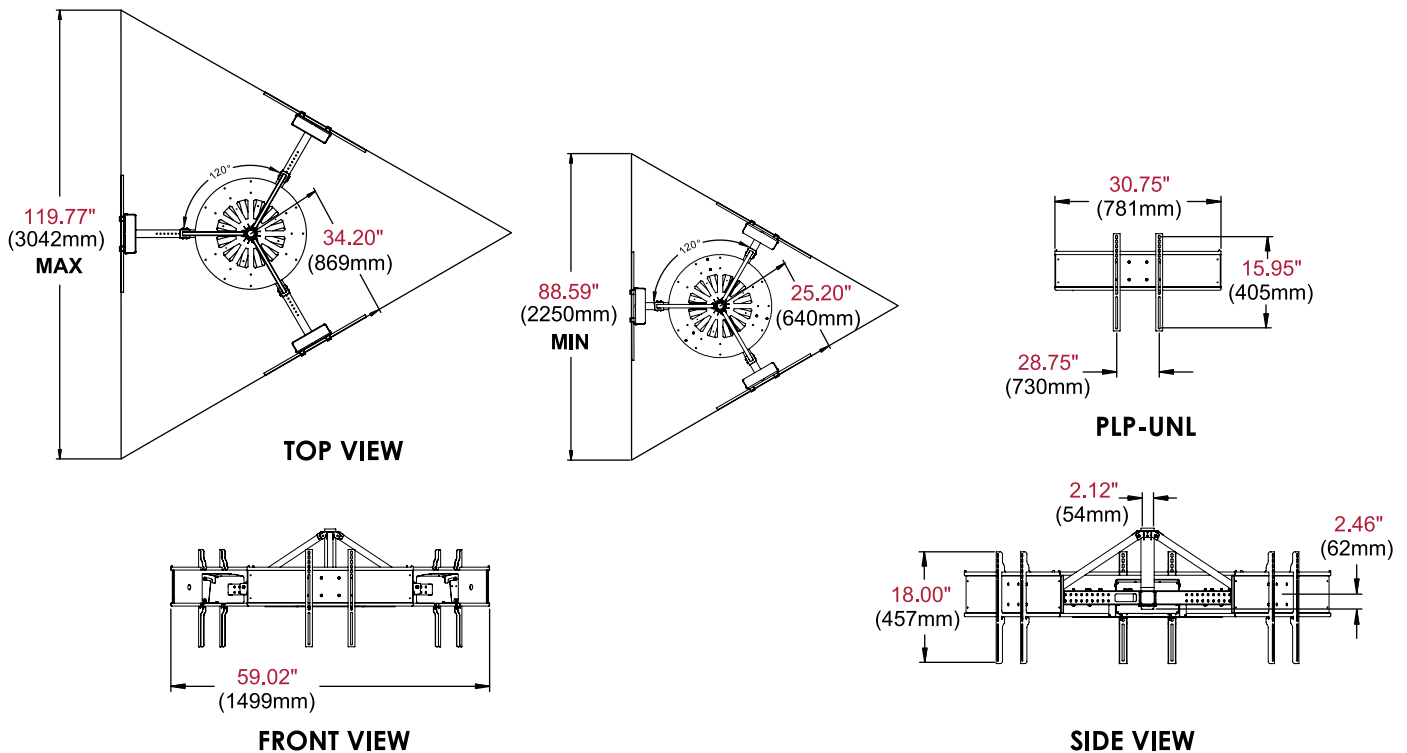
Package Specifications

	PACKAGE SIZE (W x H x D)	PACKAGE SHIP WEIGHT	PACKAGE UPC CODE	PACKAGE CONTENTS	UNITS IN PACKAGE
DST980-3	33.10" x 31.90" x 10.75" (841 x 810 x 273mm)	140lb (63.6kg)	735029302452	Mounting hub, telescoping arms, universal adaptor plate and mounting hardware	1

Accessories

ADD Models: Ceiling Extensions
DCS, DCT Models: Ceiling Plates

All dimensions = inch (mm)



Architect Specifications

The Multi-Display Ceiling Mount with Three Telescoping Arms shall be a Peerless-AV model DST980-3 and shall be located where indicated on the plans. Assembly and installation shall be done according to instructions provided by the manufacturer.

Visit peerless-av.com to see the complete line of AV solutions from Peerless-AV, including outdoor displays, wireless, kiosks, digital audio, display mounts, projector mounts, carts/stands, and a full assortment of accessories.

Peerless-AV
2300 White Oak Circle
Aurora, IL 60502 USA
(800) 865-2112
(630) 375-5100
Fax: (800) 359-6500

Peerless-AV Europe
Unit 3 Watford Interchange
Colonial Way, Watford
Herts, WD24 4WP
United Kingdom
+44 (0) 1923 200100
Fax: +44 (0) 1923 200101

Peerless-AV de México
Ave de las Industrias 413
Parque Industrial Escobedo
Escobedo, N.L.,
Mexico 66050
+52 (81) 8384-8300
Fax: +52 (81) 8384-8360

