

SR598-HUB2



Mounting Pattern
600 x 600mm



Max Load
300lb (136.1kg)

SMARTMOUNT. Flat Panel Cart

FOR THE 85" MICROSOFT® SURFACE™ HUB 2S

Peerless-AV's SmartMount® Flat Panel Cart is designed specifically for the 85" Microsoft® Surface™ Hub 2S. Mobility, appealing design, display height adjustment and a pre-assembled base ensure quick assembly, while providing a rigid, but attractive structure that fits into any décor. The 4" casters make it easy to move from room to room safely. The included spacers and custom length bolts provide proper clearance around the 85" Surface Hub 2S compute module.

- Specifically designed for the 85" Microsoft® Surface™ Hub 2S
- Product complies with the Microsoft® Site Readiness Guide and is certified through Microsoft®
- Integrated cable management protects, contains and conceals cables for a clean, professional installation
- Pre-assembled base provides rigidity, stability and quick assembly
- Textured black powder coat finish helps hide finger prints and dust
- Optional ACC-MS component shelf can be positioned anywhere along either column by simply lifting and repositioning
- Accommodates the 600 x 600mm VESA® mounting pattern of the 85" Microsoft® Surface™ Hub 2S
- Cart includes (4) plastic base pads for instances when casters are not needed



Includes spacer and hardware for 85" Microsoft® Surface™ Hub 2S

Designed for



RoHS

Please visit peerless-av.com/en-us/patents for patent information.

✉ info@peerless-av.com

🌐 peerless-av.com

peerless-AV®
Driving Technology Through Innovation

SR598-HUB2 SmartMount® Flat Panel Cart for the 85" Microsoft® Surface™ Hub 2S

Product Specifications

	DIMENSIONS (W X H X D)	PRODUCT WEIGHT	LOAD CAPACITY	FINISH	AVAILABLE COLORS
SR598-HUB2	46.01" x 68.38" x 29.00" (1169 x 1736 x 737mm)	89lb (40.5kg)	300lb (136.1kg) Display	Textured Powder Coat	Black

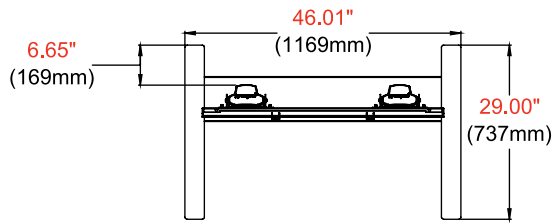
Package Specifications

	PACKAGE SIZE (W x H x D)	PACKAGE SHIP WEIGHT	PACKAGE UPC CODE	PACKAGE CONTENTS	UNITS IN PACKAGE
SR598-HUB2	47.50" x 12.50" x 38.50" (1207 x 318 x 978mm)	109lb (49.5kg)	735029343141	Assembled Base, (2) Aluminum Columns, Universal Display Adaptor, (2) Swivel Casters, (2) Locking Swivel Casters, (4) Plastic Base Pads, Spacers, Screws and Lock Washers for the 85" Microsoft® Surface™ Hub 2S, Installation Instructions	1

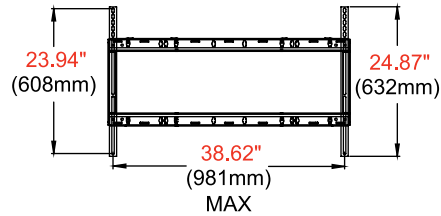
Accessories

- ACC310:** Leveling Feet Accessory
- ACC316:** Safety Belt
- ACC320:** Electrical Outlet Strip with Cord Wrap
- ACC-BPR:** Bumper Accessory for Legs
- ACC-LA:** Laptop Arm
- ACC-UCM:** Universal AV Component Mount
- ACC-MS:** Metal Shelf
- ACC-VCS:** Video Conferencing Camera Shelf

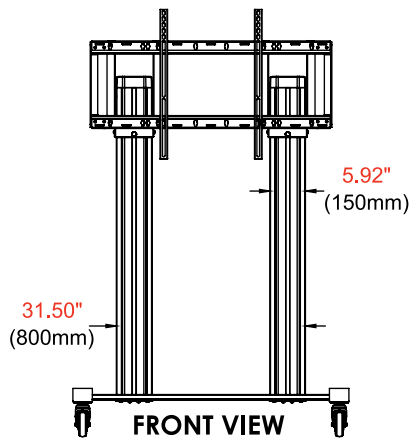
All dimensions = inch (mm)



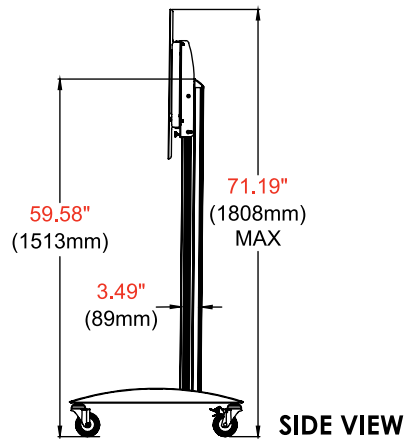
TOP VIEW



ADAPTOR BRACKET



FRONT VIEW



SIDE VIEW

Architect Specifications

The SmartMount® Flat Panel Cart for the 85" Microsoft® Surface™ Hub 2S shall be a Peerless-AV model SR598-HUB2 and shall be located where indicated on the plans. Assembly and installation shall be done according to instructions provided by the manufacturer.

Visit peerless-av.com to see the complete line of AV solutions from Peerless-AV, including outdoor displays, kiosks, display mounts, projector mounts, carts/stands, and a full assortment of accessories.

Peerless-AV
2300 White Oak Circle
Aurora, IL 60502 USA
(800) 865-2112
(630) 375-5100
Fax: (800) 359-6500

Peerless-AV EMEA
Unit 3 Watford Interchange
Colonial Way, Watford
Herts, WD24 4WP
United Kingdom
+44 (0) 1923 200100
Fax: +44 (0) 1923 200101

Peerless-AV Latin America
Av. de las Industrias 413
Parque Industrial Escobedo
General Escobedo, N.L.,
México, 66062
+52 (81) 8384-8300
Fax: +52 (81) 8384-8360

