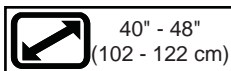
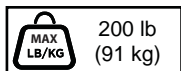
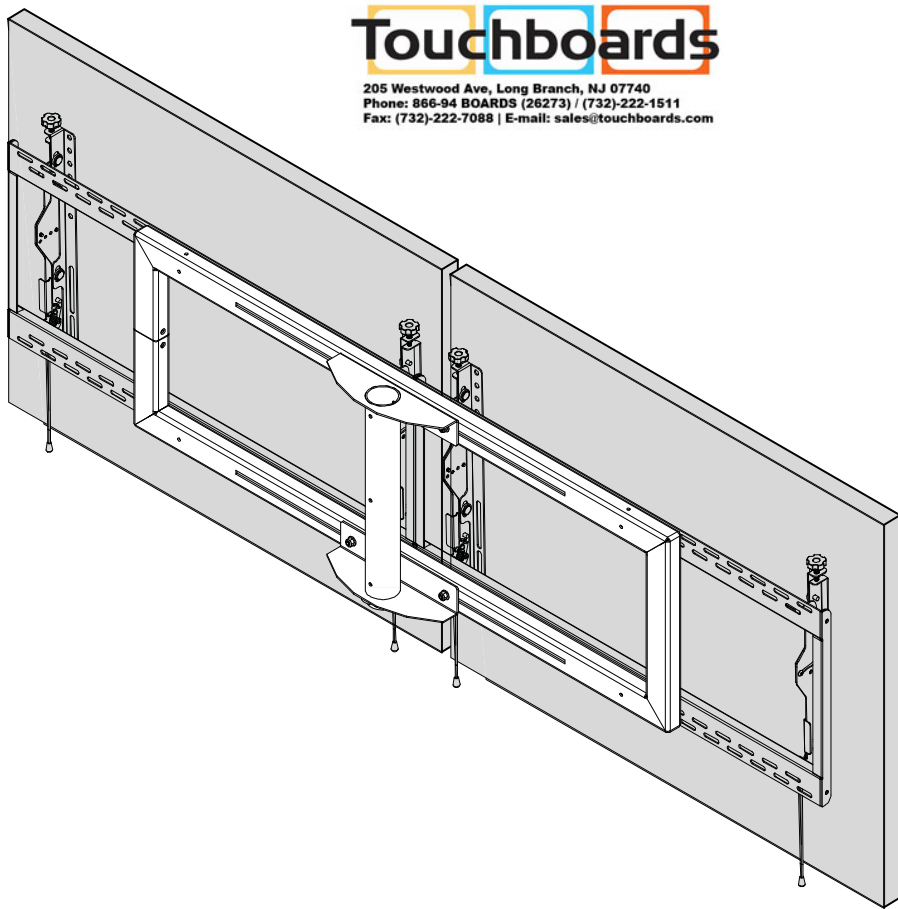


ACC-MBF



Touchboards

205 Westwood Ave, Long Branch, NJ 07740
Phone: 866-94 BOARDS (26273) / (732)-222-1511
Fax: (732)-222-7088 | E-mail: sales@touchboards.com



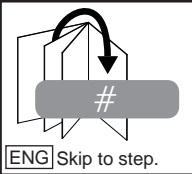
⚠ WARNING

ENG - This product is designed to be installed on wood joist/beam or solid concrete ceilings. Hardware is included for wood joist/beam and solid concrete installation. Before installing make sure the supporting surface will support the combined load of the equipment and hardware. Screws must be tightly secured. Do not overtighten screws or damage can occur and product may fail. Never exceed the Maximum Load Capacity. Always use an assistant or mechanical lifting equipment to safely lift and position equipment. This product is intended for indoor use only. Use of this product outdoors could lead to product failure or personal injury. Be careful not to pinch fingers when operating the mount. For support please call customer care at 1-800-865-2112.

ENG Symbols



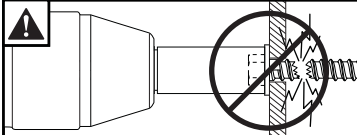
ENG WARNING



ENG Skip to step.



ENG Screws must get at least three full turns and fit snug.

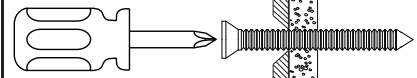


ENG Do not overtighten screws.

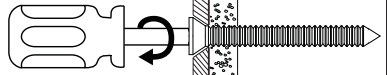


ENG To properly tighten screws: Tighten until screw head makes contact, then tighten another 1/2 turn. Do not overtighten screws.

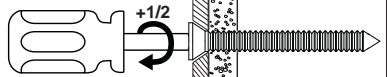
1



2



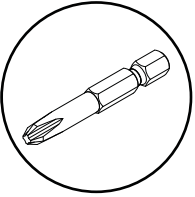
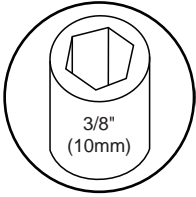
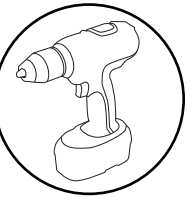
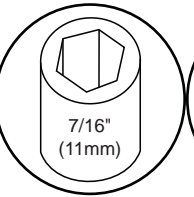
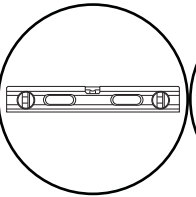
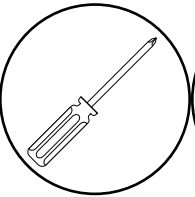
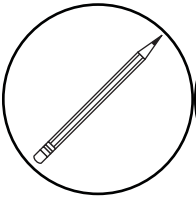
3



4



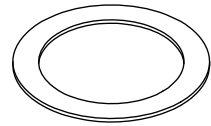
ENG Tools Needed for Assembly.



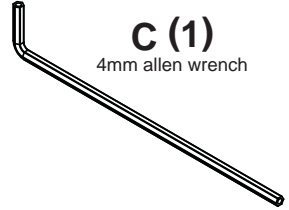
ENG Parts (Before beginning, make sure you have all parts shown below).

Parts List		
Description	Qty	Part#
A retaining collar	1	1800-375
B large washer	1	540-9432
C 4mm allen wrench	1	560-9646
D main frame	1	146-1048
E main post	1	146-1052
F carriage bolt	4	520-1175
G small washer	4	540-9440
H nylock nut	4	530-9413
I hex head screw	20	520-1321
J #10 x 1/2" phillips screw	2	520-1320
K M5 x 10mm socket pin screw	1	520-1164
L support bracket	2	146-1053
M 1/4-20 x 1/2" phillips screw	2	510-9108

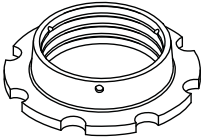
B (1)
large washer



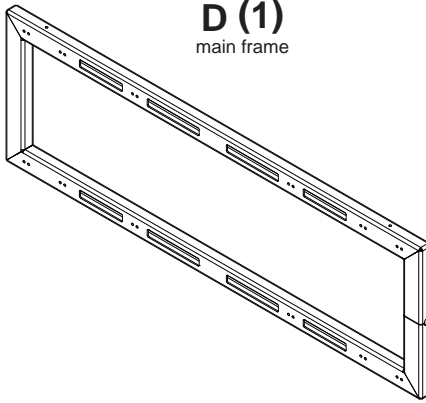
C (1)
4mm allen wrench



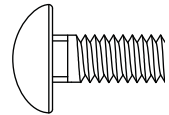
A (1)
retaining collar



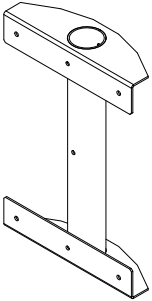
D (1)
main frame



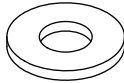
F (4)
carriage bolt



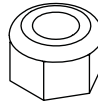
E (1)
main post



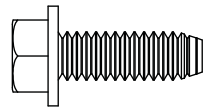
G (4)
small washer



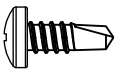
H (4)
nylock nut



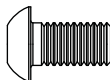
I (20)
hex head screw



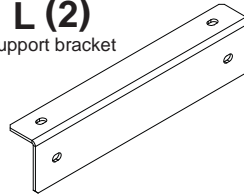
J (2)
#10 x 1/2" phillips screw



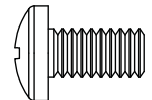
K (1)
M5 x 10mm socket pin screw



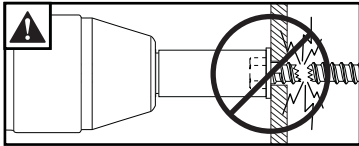
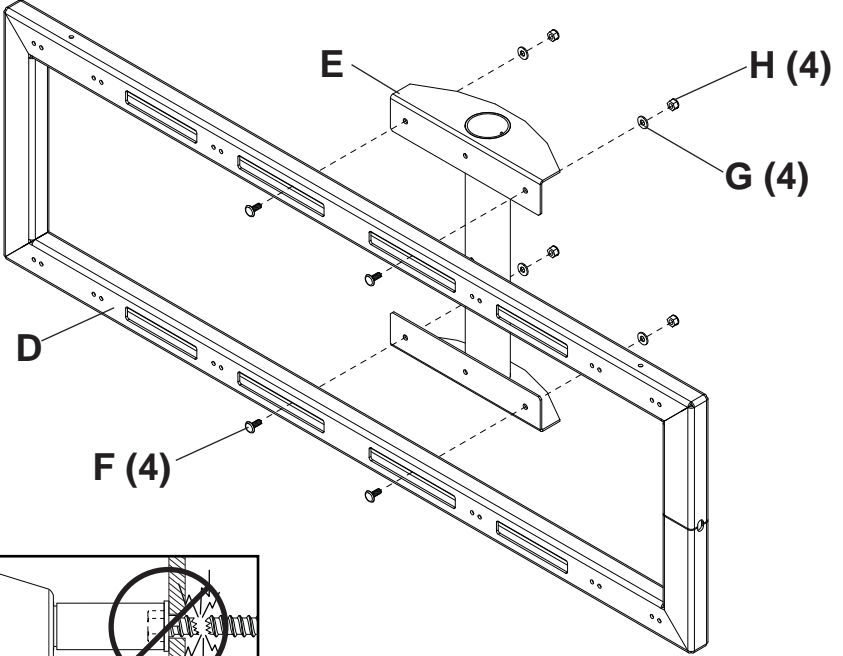
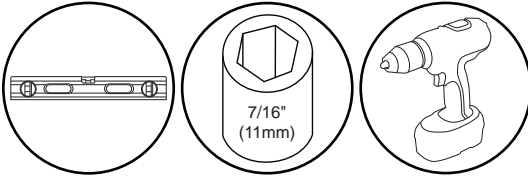
L (2)
support bracket



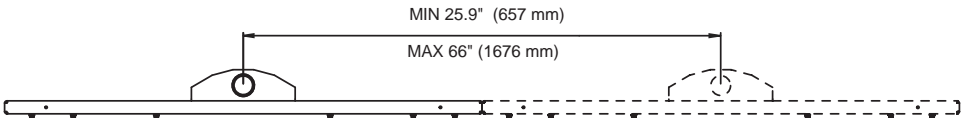
M (2)
1/4-20 x 1/2"



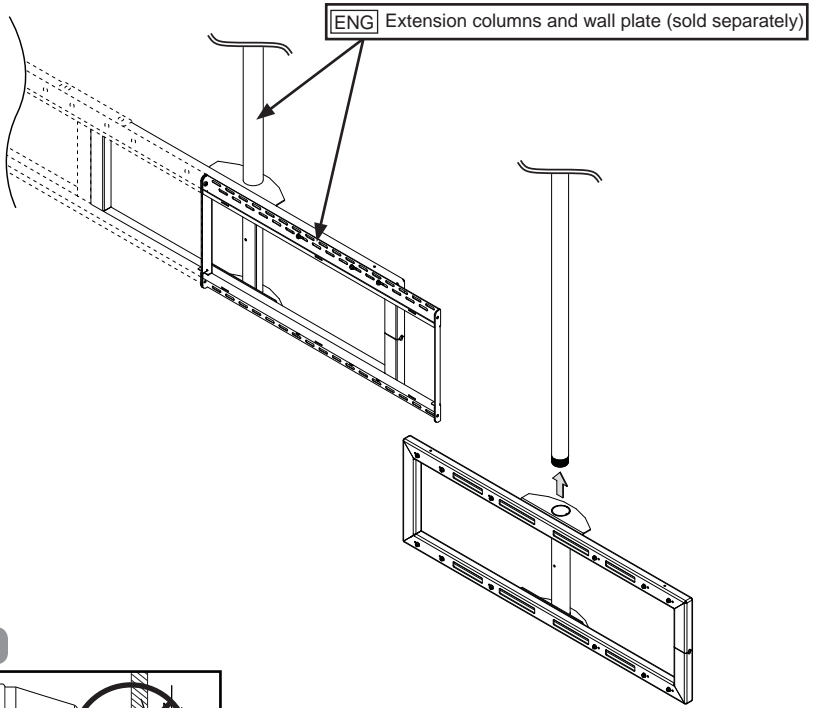
1



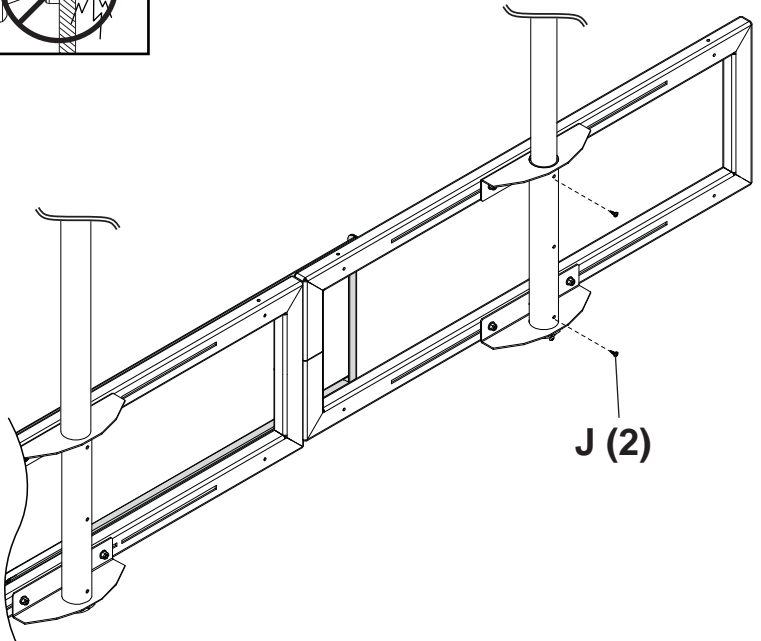
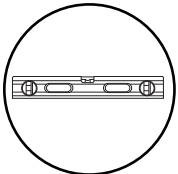
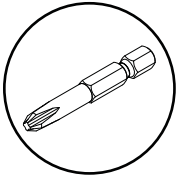
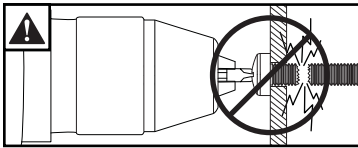
2



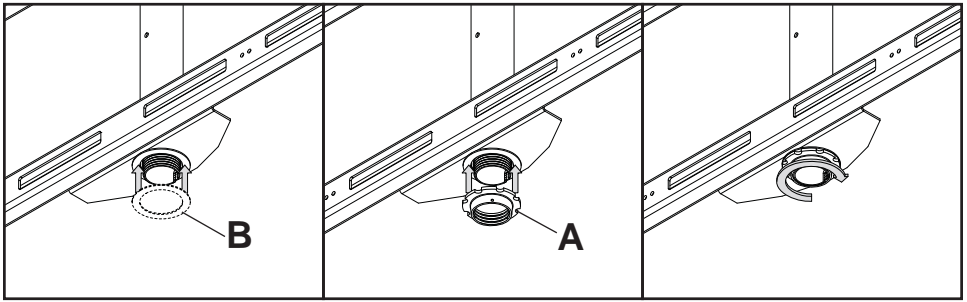
3-1



3-2

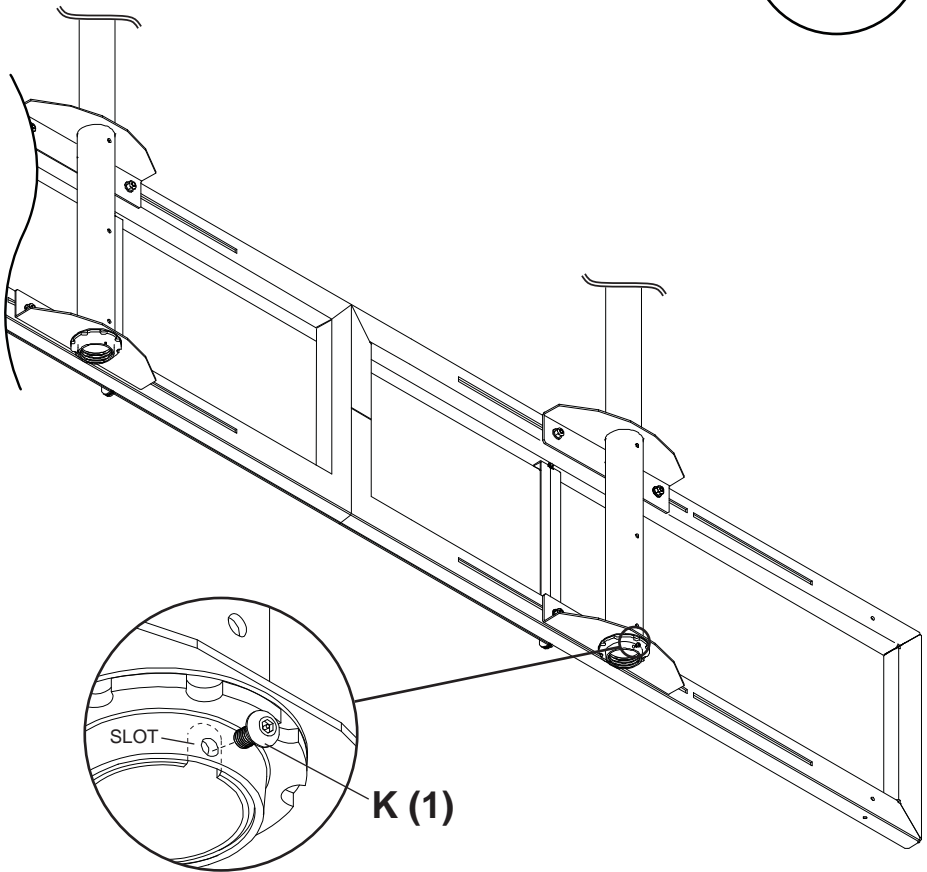
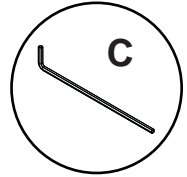


3-3

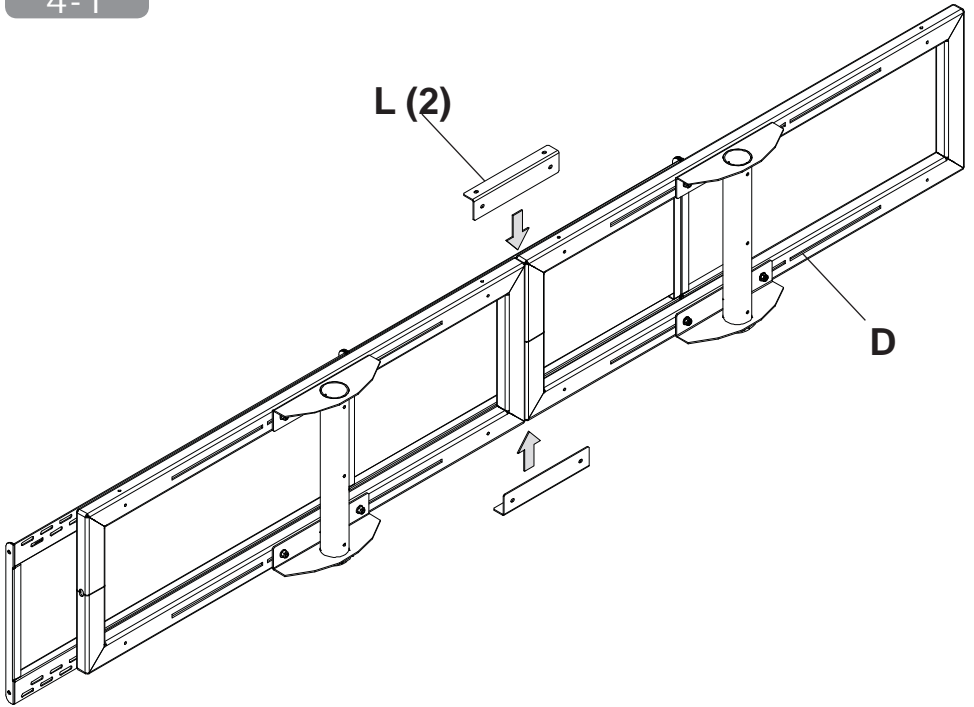


3-4

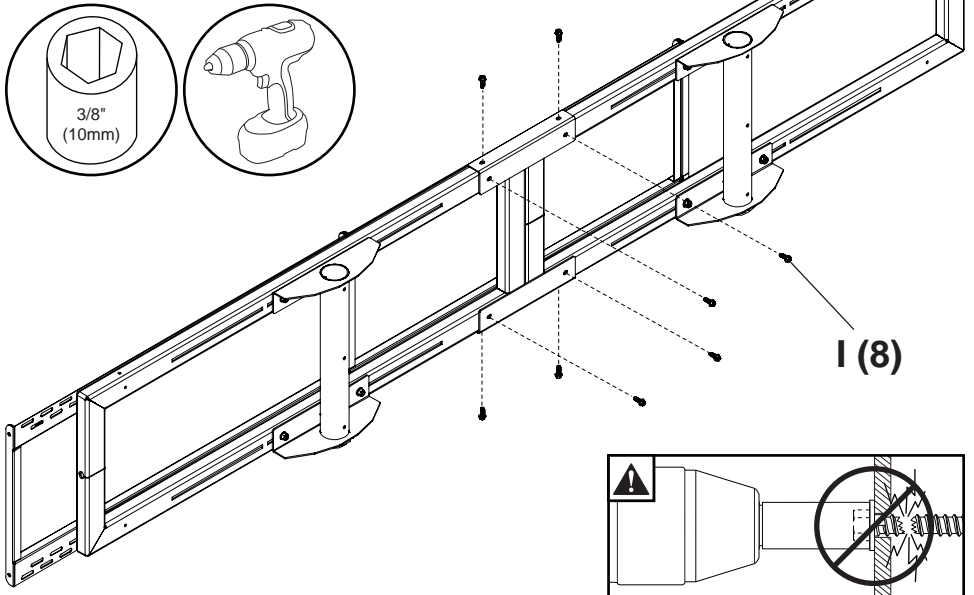
ENG Align slot of extension column



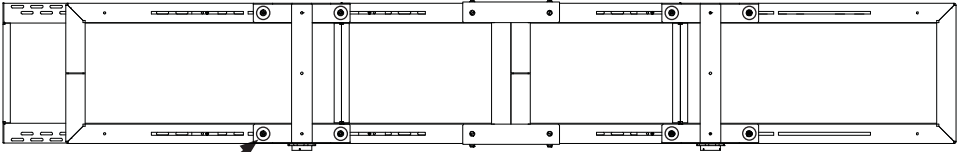
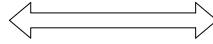
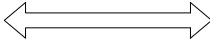
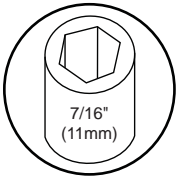
4-1



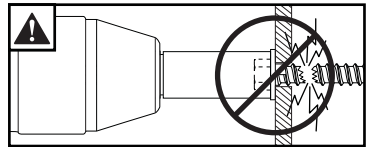
4-2



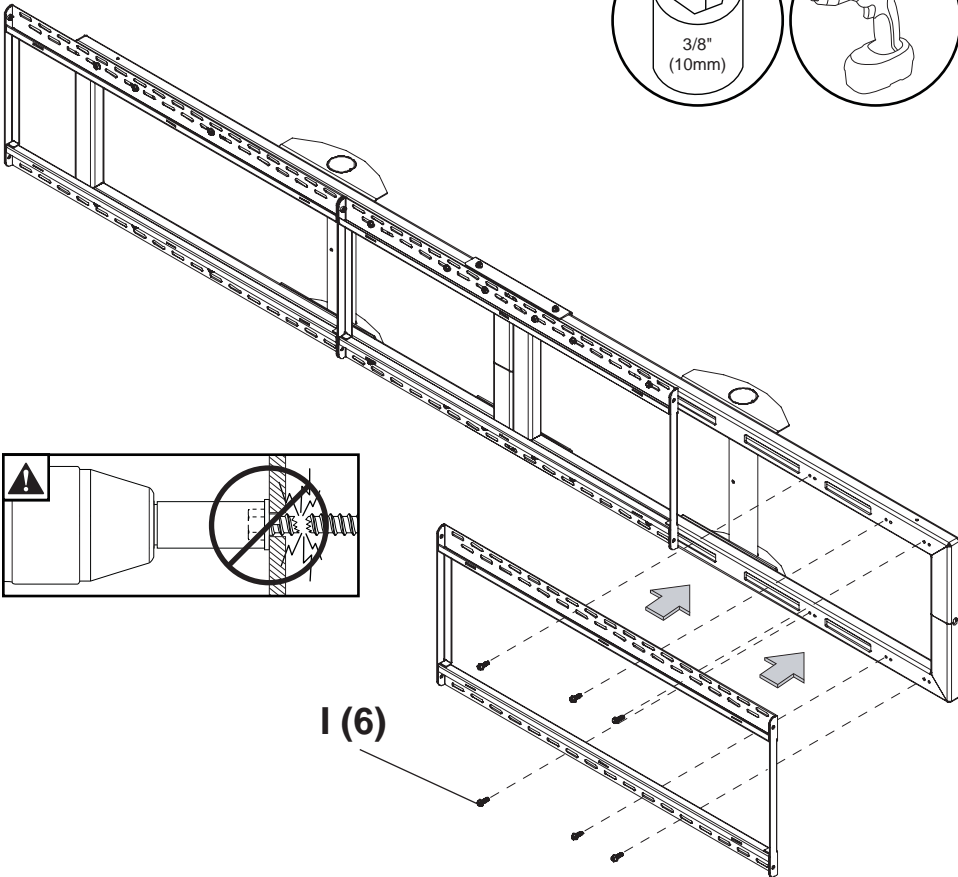
5

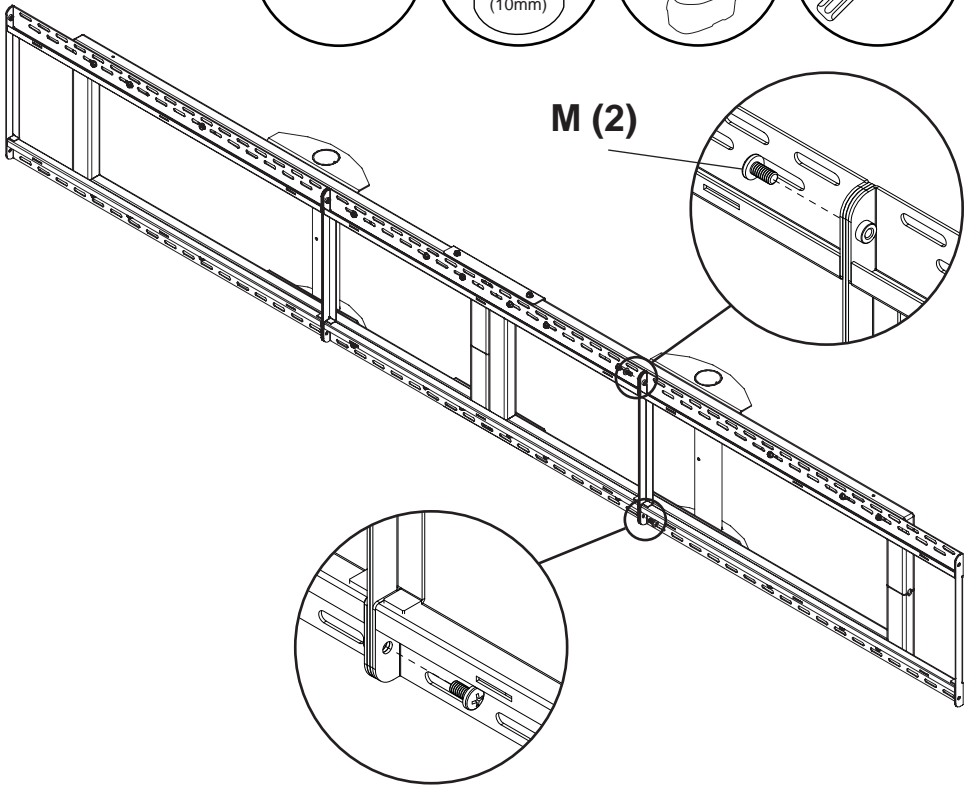
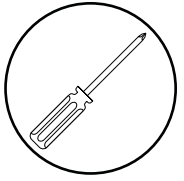
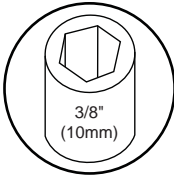
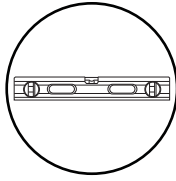


ENG Loosen, adjust, tighten.



6





LIMITED FIVE-YEAR WARRANTY

Peerless Industries, Inc. ("Peerless") warrants to original end-users of Peerless® products will be free from defects in material and workmanship, under normal use, for a period of five years from the date of purchase by the original end-user (but in no case longer than six years after the date of the product's manufacture). At its option, Peerless will repair or replace, or refund the purchase price of, any product which fails to conform with this warranty.

In no event shall the duration of any implied warranty of merchantability or fitness for a particular purpose be longer than the period of the applicable express warranty set forth above. Some states do not allow limitations on how long a implied warranty lasts, so the above limitation may not apply to you.

This warranty does not cover damage caused by (a) service or repairs by the customer or a person who is not authorized for such service or repairs by Peerless, (b) the failure to utilize proper packing when returning the product, (c) incorrect installation or the failure to follow Peerless' instructions or warnings when installing, using or storing the product, or (d) misuse or accident, in transit or otherwise, including in cases of third party actions and force majeure.

In no event shall Peerless be liable for incidental or consequential damages or damages arising from the theft of any product, whether or not secured by a security device which may be included with the Peerless® product. Some states do not allow the exclusion or limitation of incidental or consequential damages, so the above limitation or exclusion may not apply to you.

This warranty is in lieu of all other warranties, expressed or implied, and is the sole remedy with respect to product defects. No dealer, distributor, installer or other person is authorized to modify or extend this Limited Warranty or impose any obligation on Peerless in connection with the sale of any Peerless® product.

This warranty gives specific legal rights, and you may also have other rights which vary from state to state.

Touchboards

205 Westwood Ave, Long Branch, NJ 07740
Phone: 866-94 BOARDS (26273) / (732)-222-1511
Fax: (732)-222-7088 | E-mail: sales@touchboards.com

peerless-AV[®]

Peerless-AV
2300 White Oak Circle
Aurora, IL 60502
Email: tech@peerlessmounts.com
Ph: (800) 865-2112
Fax: (800) 359-6500
www.peerless-av.com

Peerless-AV Europe
Unit 3 Watford Interchange,
Colonial Way, Watford, Herts,
WD24 4WP, United Kingdom
Customer Care
44 (0) 1923 200 100
www.peerless-av.com

Peerless-AV de Mexico
Ave de las Industrias 413
Parque Industrial Escobedo
Escobedo N.L. Mexico 66050
Servicio al Cliente
01-800-849-65-77
www.peerless-av.com