

AEC MODELS



Max load
500lb (227kg)

Touchboards

205 Westwood Ave, Long Branch, NJ 07740
Phone: 866-94 BOARDS (26273) / (732)-222-1511
Fax: (732)-222-7088 | E-mail: sales@touchboards.com

Adjustable Extension Column

FOR USE WITH PEERLESS-AV® DISPLAY MOUNTS,
PROJECTOR MOUNTS AND CEILING PLATE ACCESSORIES

Designed to blend in and work in almost any environment, our line of AEC adjustable columns range in lengths from 6-9" up to 10-12'. Whether it's for an office or mounted from a tall cathedral ceiling, the adjustable column supports up to 500lb, making it ideal for exhibit, retail or digital signage applications. The adjustment slot design makes for easy incremental height adjustments to find the perfect position and then securely locking it into place. The AEC column's cylinder shape conveniently offers ample internal space for cable management of multiple cords, ultimately giving a clean look to any installation.

The AEC's adjustment slot design makes for easy incremental height adjustments to perfectly place your display, and lock it into place.



Additional Features

- ✓ 1-1/2"-11.5 NPT (38mm) aluminum column threaded on both ends
- ✓ Height adjustment at 1" (25mm) increments
- ✓ Lightweight aluminum construction for ease of installation and lower freight cost
- ✓ Offers unobtrusive cable management
- ✓ Notched adjustment design enables easy height adjustment and position locking
- ✓ Agion® antimicrobial* finish assists in controlling the spread of infections with -AB/-AW models

*Antimicrobial protection is limited to the treated article and does not protect a user against disease causing bacteria. Always clean products thoroughly after each use. Visit agion-tech.com for more details.



EASE OF ADJUSTABILITY
Simplest slot design allows for easy glide adjustment

CABLE MANAGEMENT
Allows added capability for routing cables



Cable management



Available in black, silver or white to match displays, projectors and ceiling mount surfaces



RoHS



Nature's antimicrobial

Model Numbers

WARRANTY: Limited 5-year

AEC Models: Adjustable Extension Column for use with Peerless-AV® Display Mounts, Projector Mounts and Ceiling Plate Accessories

Product Specifications

	DIMENSIONS (COLUMN LENGTH)	PRODUCT WEIGHT	LOAD CAPACITY	FINISH	AVAILABLE COLORS
AEC006009(-S)(-W)(-AB)(-AW)	6"-9" (0.15-0.23m)	1.0lb (0.45kg)	500lb (227kg)	Powder Coat or Antimicrobial* Powder Coat	AEC006009 - AEC1012: Black
AEC009012(-S)(-W)(-AB)(-AW)	9"-12" (0.23-0.30m)	1.2lb (0.55kg)			AEC006009-S - AEC1012-S: Silver
AEC012018(-S)(-W)(-AB)(-AW)	12"-18" (0.30-0.46m)	1.8lb (0.82kg)			AEC006009-W - AEC1012-W: White
AEC018024(-S)(-W)(-AB)(-AW)	18"-24" (0.46-0.61m)	2.3lb (1.05kg)			AEC006009-AB - AEC1012-AB: Antimicrobial* Black
AEC0203(-S)(-W)(-AB)(-AW)	2'-3" (0.61-0.91m)	3.2lb (1.45kg)			AEC006009-AW - AEC1012-AW: Antimicrobial* White
AEC0305(-S)(-W)(-AB)(-AW)	3'-5" (0.91-1.52m)	5.5lb (2.50kg)			
AEC0406(-S)(-W)(-AB)(-AW)	4'-6" (1.22-1.83m)	7.6lb (3.45kg)			
AEC0507(-S)(-W)(-AB)(-AW)	5'-7" (1.52-2.13m)	8.4lb (3.82kg)			
AEC0608(-S)(-W)(-AB)(-AW)	6'-8" (1.83-2.44m)	9.2lb (4.12kg)			
AEC0810(-S)(-W)(-AB)(-AW)	8'-10" (2.44-3.05m)	11.0lb (5.00kg)			
AEC1012(-S)(-W)(-AB)(-AW)	10'-12" (3.05-3.66m)	12.8lb (5.82kg)			

*Antimicrobial protection is limited to the treated article and does not protect a user against disease causing bacteria. Always clean products thoroughly after each use. Visit agion-tech.com for more details.

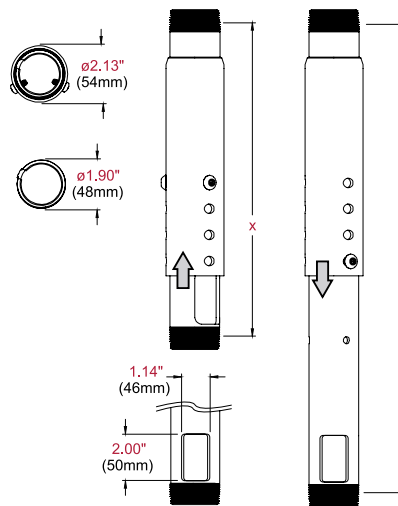
Package Specifications

	PACKAGE SIZE (D x L)	PACKAGE SHIP WEIGHT	PACKAGE UPC CODE		PACKAGE CONTENTS	UNITS IN PACKAGE
AEC006009(-S)(-W)(-AB)(-AW)	3" x 9" (76 x 228mm)	1.3lb (0.59kg)	AEC006009: 735029275121	AEC0305-AB: 735029303657	Extension column, adjuster column and M8 x 10 mm screw	1
AEC009012(-S)(-W)(-AB)(-AW)	3" x 12" (76 x 304mm)	1.6lb (0.73kg)	AEC006009-S: 735029275138	AEC0305-AW: 735029303664		
AEC012018(-S)(-W)(-AB)(-AW)	3" x 14" (76 x 355mm)	2.2lb (1.00kg)	AEC006009-W: 735029275145	AEC0406: 735029267041		
AEC018024(-S)(-W)(-AB)(-AW)	3" x 21" (76 x 533mm)	2.9lb (1.32kg)	AEC009012-AB: 735029303558	AEC0406-S: 735029267232		
AEC0203(-S)(-W)(-AB)(-AW)	3" x 27" (76 x 685mm)	4.1lb (1.86kg)	AEC009012-AW: 735029303572	AEC0406-W: 735029267140		
AEC0305(-S)(-W)(-AB)(-AW)	3" x 41" (76 x 1041mm)	6.7lb (3.05kg)	AEC009012-S: 735029302476	AEC0406-AB: 735029303671		
AEC0406(-S)(-W)(-AB)(-AW)	3" x 48" (76 x 1219mm)	9.1lb (4.14kg)	AEC009012-W: 735029302483	AEC0406-AW: 735029303688		
AEC0507(-S)(-W)(-AB)(-AW)	3" x 61" (76 x 1549mm)	10.4lb (4.73kg)	AEC009012-AB: 735029302490	AEC0507: 735029302506		
AEC0608(-S)(-W)(-AB)(-AW)	3" x 73" (76 x 1854mm)	11.4lb (5.18kg)	AEC009012-AW: 735029303589	AEC0507-S: 735029302513		
AEC0810(-S)(-W)(-AB)(-AW)	3" x 97" (76 x 2464mm)	13.9lb (6.32kg)	AEC012018: 735029275152	AEC0507-W: 735029302520		
AEC1012(-S)(-W)(-AB)(-AW)	3" x 120" (76 x 3048mm)	16.0lb (7.27kg)	AEC012018-S: 735029275169	AEC0507-AB: 735029303695		
			AEC012018-W: 735029275176	AEC0507-AW: 735029303701		
			AEC012018-AB: 735029303602	AEC0608: 735029267058		
			AEC012018-AW: 735029303655	AEC0608-S: 735029267249		
			AEC018024: 735029275183	AEC0608-W: 735029267157		
			AEC018024-S: 735029275190	AEC0608-AB: 735029303718		
			AEC018024-W: 735029275206	AEC0608-AW: 735029303725		
			AEC018024-AB: 735029303619	AEC0810: 735029267065		
			AEC018024-AW: 735029303626	AEC0810-S: 735029267256		
			AEC0203: 735029267027	AEC0810-W: 735029267164		
			AEC0203-S: 735029267218	AEC0810-AB: 735029303732		
			AEC0203-W: 735029267126	AEC0810-AW: 735029303749		
			AEC0203-AB: 735029303633	AEC1012: 735029267072		
			AEC0203-AW: 735029303640	AEC1012-S: 735029267263		
			AEC0305: 735029267034	AEC1012-W: 735029267171		
			AEC0305-S: 735029267225	AEC1012-AB: 735029303756		
			AEC0305-W: 735029267133	AEC1012-AW: 735029303763		

All dimensions = inch (mm)

MODEL	Drop Length (x)
AEC006009	6.00" - 9.00" (152 - 228mm)
AEC009012	9.00" - 12.00" (228 - 304mm)
AEC012018	12.00" - 18.00" (304 - 457mm)
AEC18024	18.00" - 24.00" (457 - 609mm)
AEC0203	24.00" - 36.00" (609 - 914mm)
AEC0305	36.00" - 60.00" (914 - 1524mm)
AEC0406	48.00" - 72.00" (1219 - 1828mm)
AEC0507	60.00" - 84.00" (1524 - 2133mm)
AEC0608	72.00" - 96.00" (1828 - 2438mm)
AEC0810	96.00" - 120.00" (2438 - 3048mm)
AEC1012	120.00" - 144.00" (3048 - 3657mm)

*overall length is 1.0" (25.4mm) longer than drop length



Architect Specifications

The Adjustable Extension Column shall be a Peerless-AV model AEC% and shall be located where indicated on the plans. Assembly and installation shall be done according to instructions provided by the manufacturer.

Visit peerless-av.com to see the complete line of AV solutions from Peerless-AV, including outdoor displays, wireless, kiosks, digital audio, display mounts, projector mounts, carts/stands, and a full assortment of accessories.

Peerless-AV
2300 White Oak Circle
Aurora, IL 60502 USA

(800) 865-2112
(630) 375-5100
Fax: (800) 359-6500

Peerless-AV Europe
Unit 3 Watford Interchange
Colonial Way, Watford
Herts, WD24 4WP
United Kingdom
+44 (0) 1923 200100
Fax: +44 (0) 1923 200101

Peerless-AV de México
Ave de las Industrias 413
Parque Industrial Escobedo
Escobedo, N.L.,
Mexico 66050
+52 (81) 8384-8300
Fax: +52 (81) 8384-8360

