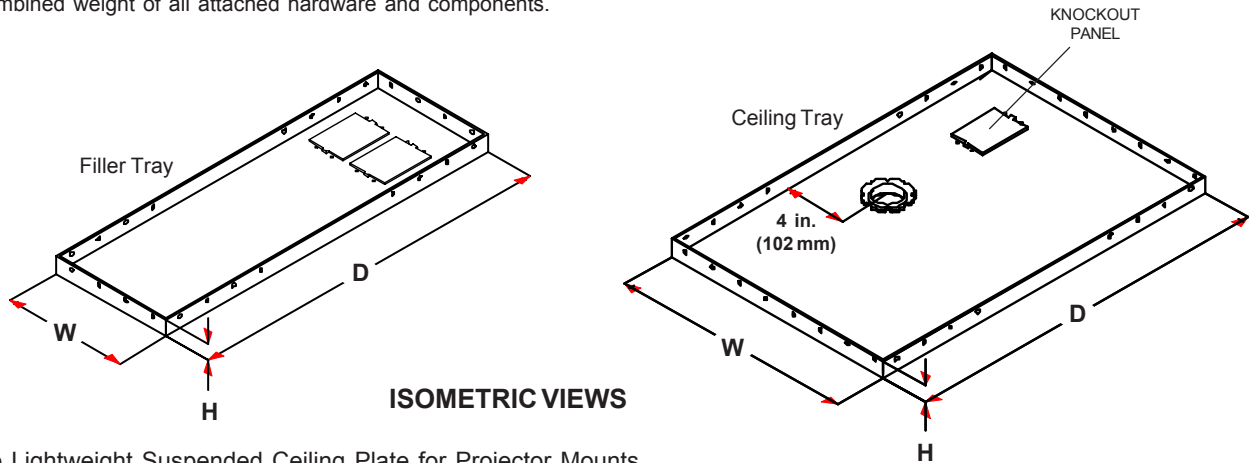


Lightweight Suspended Ceiling Tray for Projector Mounts			Dimensions	Width	Depth	Height
<b>Weight</b>	<b>Shipping Weight</b>	<b>*Maximum Load</b>	Ceiling Tray	15.75" (400 mm)	24" (610 mm)	1" (25 mm)
13.6 lb (6.2 kg)	14.6 lb (6.6 kg)	50 lb (23 kg)	Filler Tray	8" (203 mm)	24" (610 mm)	1" (25 mm)

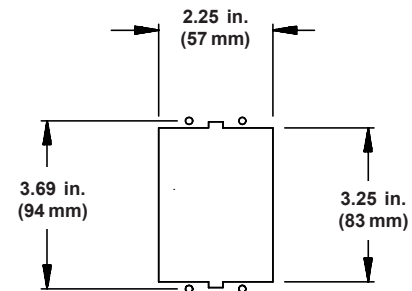
\*Combined weight of all attached hardware and components.



The Lightweight Suspended Ceiling Plate for Projector Mounts consists of an 8"(203mm) x 24"(610mm) filler tray and a 15.75"(400mm) x 24"(610mm) ceiling tray suspended by four tie wires from the true ceiling above. Turnbuckles allow the installation to be "fine tuned". The NPS threaded fitting in the ceiling tray serves as the point of attachment for a Peerless Projector Mount or other Peerless product specified as compatible with the Lightweight Suspended Ceiling Kit. Product may be attached directly or lowered with the addition of a Peerless NPS Extension Column available in several lengths. 20' (6.1m) of tie wire is provided (18 gauge annealed steel, soft, black) - enough for a 3' drop suspended ceiling. If the suspended ceiling is more than 3 feet from the true ceiling, the installer will need to obtain additional 12 gauge wire prior to installation.

**Features:**

- Five different projector mount attachment points
- Knockout panel for electrical outlet box (Raco 445 or Appleton 383 recommended) and antenna leads
- Scratch-resistant white fused epoxy finish



**Electrical Knockout**



205 Westwood Ave, Long Branch, NJ 07740  
 Phone: 866-94 BOARDS (26273) / (732)-222-1511  
 Fax: (732)-222-7088 | E-mail: sales@touchboards.com



This product is intended for use with UL Listed products and must be installed by a qualified professional installer.

**WARNING:** Weight of product not to exceed maximum load capacity of 50 lbs. (23 kg)!

**ARCHITECTS SPECIFICATIONS**

The Lightweight Suspended Ceiling Plate shall be a Peerless model CMJ455 and shall be mounted where indicated on the plans. It shall contain a ceiling tray with a NPS center threaded fitting and a knockout panel for outlet boxes (Raco 445 or Appleton 383 recommended) and antenna leads. It shall also contain a filler tray. It shall feature a tie wire support system to transfer the load to four attachment points (in the true ceiling above) with turnbuckles to fine tune the level of the ceiling tray. It shall be U.L. Listed. The finish shall be White Fused Epoxy. Assembly and installation shall be done according to instructions provided by the manufacturer.



Peerless Industries, Inc. 3215 W. North Ave. Melrose Park, IL 60160  
 708-865-8870 800-865-2112 Fax 708-865-2941 www.peerlessmounts.com

**TECHNICAL DATA SHEET**

**Lightweight Suspended Ceiling Plate for Projector Mounts**

Issued: 05-27-99 Sheet #128-9521-6 09-03-09 page 1 of 1