

DS496

Media Player Mounting Accessory

For Apple Mac Mini 2010 models and later



The Peerless-AV DS496 mounting accessory houses the Mac Mini computer and offers a clean solution for a miniaturized video processor. Popular in digital signage applications, the DS496 combined Mac Mini provides discrete power in close proximity - attaching in a variety of locations. By design the DS496 can be attached above or below the display, flush to the wall, or to the back of a ceiling mount, as well as to a desktop surface, providing versatility in a variety of installation applications.



Max load: 10lb (4.55kg)

FEATURES

- Attachment brackets allow for efficient and discrete placement
- Complete enclosure provides safety and security
- Slide cover on the back of unit allows for quick access
- Option for attaching the unit to the back of Peerless PLCM-2 ceiling mount unit
- Ventilation slots allow for airflow to prevent overheating
- Supports computer up to 10lb (4.55kg)



■ **MULTIPLE MOUNTING OPTIONS**
Allows for attachment to undersurfaces, walls, mounts and locations where fasteners are used

■ **CONVENIENT ACCESS**
Cover plate is easily removed for quick service access

■ **CABLE MANAGEMENT**
Mac Mini cable connection access window provided

DS496: Media Player Mounting Accessory for Apple Mac Mini 2010 models and later

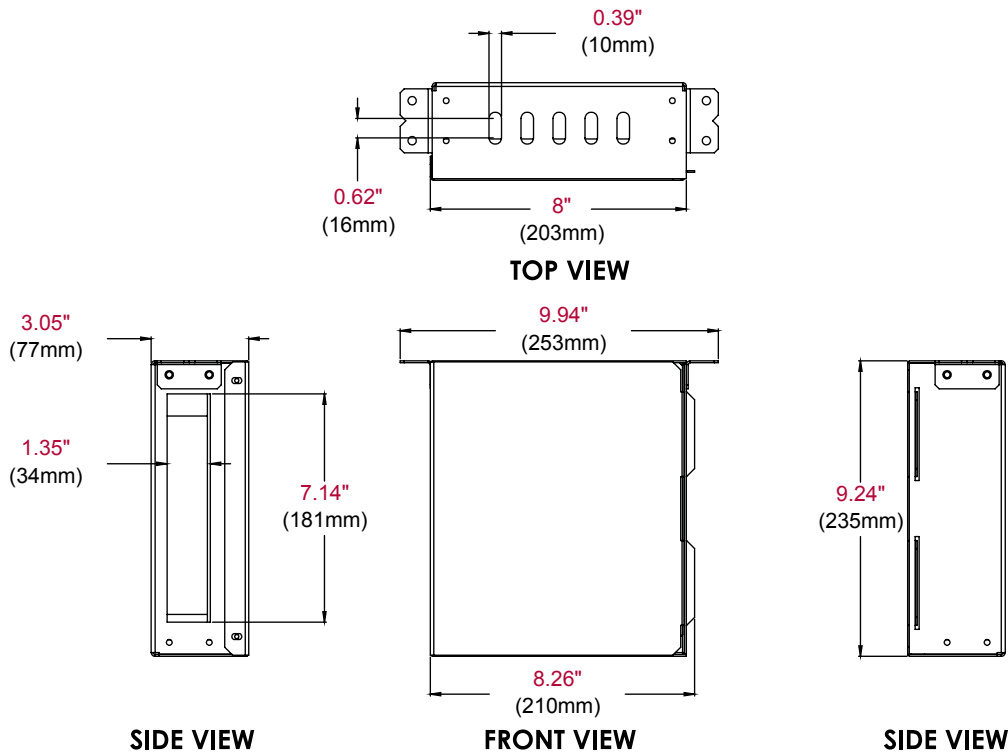
Product Specifications

	DIMENSIONS (W x H x D)	PRODUCT WEIGHT	LOAD CAPACITY	FINISH	AVAILABLE COLORS
DS496	8.26" x 9.24" x 3.05" (210 x 235 x 77mm)	7.5lb (3.4kg)	10lb (4.55kg)	Powder Coat	Black

Package Specifications

	PACKAGE SIZE (W x H x D)	PACKAGE SHIP WEIGHT	PACKAGE UPC CODE	PACKAGE CONTENTS	UNITS IN PACKAGE
DS496	12.5" x 10" x 4.25" (317 x 254 x 108mm)	8.8lb (4kg)	735029297291	Computer holder, support bracket, back cover, fastener packet	1

All dimensions = inch (mm)



ARCHITECTS SPECIFICATIONS

The Media Player Mounting Accessory shall be a Peerless-AV model DS496 and shall be attached where indicated on the plans. Assembly and installation shall be done according to the instructions provided by the manufacturer.