

EPT630



Outdoor Tilting Wall Mount

FOR 22" TO 40" DISPLAYS

Peerless-AV's Outdoor Tilting Wall Mount provides a reliable way to mount flat panel displays outdoors with its corrosion resistant E-Coat finish and stainless steel hardware. In addition to simple installation, with a Hook-and-Hang™ design, this mount offers tilt functionality while keeping the display a mere 2.06" from the wall. Tamper-resistant hardware deters theft, offering peace-of-mind with every installation.



Display size
22"-40"



Max load
80lb (36.3kg)

The EPT630's corrosion resistant coating allows this product to be used outdoors, protecting it from all of the elements.

Additional Features

- ✓ Made of corrosion-resistant materials for weather resistance
- ✓ Adjustable 15° forward tilt and 5° backward tilt for finding the optimal viewing angle
- ✓ Display is positioned only 2.06" (52mm) from wall for a low-profile application
- ✓ Includes all necessary wall and display attachment hardware
- ✓ VESA® 100mm display mounting hole patterns



■ **INCRELOK™ TILT**
Lock the display tilt angle at -5, 0, 5, 10 or 15°

■ **FLEXIBLE MOUNTING LOCATIONS**
Mounts to wood stud, concrete, cinder or breeze block

■ **VESA® COMPATIBLE**
Accommodates 100mm mounting patterns

Touchboards

205 Westwood Ave, Long Branch, NJ 07740
Phone: 866-94 BOARDS (26273) / (732)-222-1511
Fax: (732)-222-7088 | E-mail: sales@touchboards.com



RoHS



15°/-5° of tilt for versatile viewing angles

EPT630	Outdoor Tilting Wall Mount for 22" to 40" Displays
---------------	--

Product Specifications

	DIMENSIONS (W x H x D)	PRODUCT WEIGHT	LOAD CAPACITY	FINISH	AVAILABLE COLORS
EPT630	5.04" x 5.13" x 2.06"-3.03" (128 x 130 x 52-77mm)	1.7lb (0.8kg)	80lb (36.3kg)	E-Coat Covered with Outdoor Powder Paint	Black

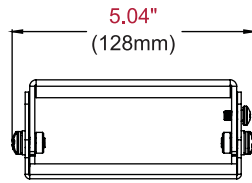
Package Specifications

	PACKAGE SIZE (W x H x D)	PACKAGE SHIP WEIGHT	PACKAGE UPC CODE	PACKAGE CONTENTS	UNITS IN PACKAGE
EPT630	5.50" x 5.50" x 5.50" (140 x 140 x 140mm)	2.0 lb (0.9kg)	735029314073	Mount and Mounting Hardware	1

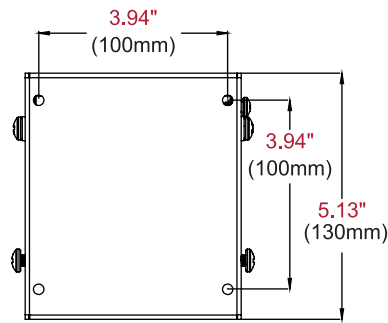
Accessories

- HDS-OWK-200:** Wireless Outdoor Kit
- HDS-OWRE-200:** Wireless Outdoor Module

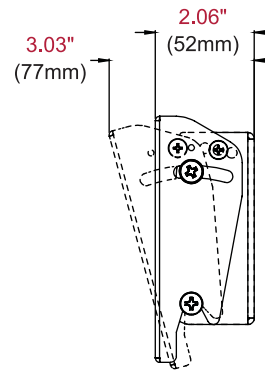
All dimensions = inch (mm)



TOP VIEW



FRONT VIEW



**SIDE VIEW
+15°/-5° TILT**

Architect Specifications

The Outdoor Tilt Wall Mount shall be a Peerless-AV model EPT630 and shall be located where indicated on the plans. Assembly and installation shall be done according to instructions provided by the manufacturer.

Visit peerless-av.com to see the complete line of AV solutions from Peerless-AV, including outdoor displays, wireless, kiosks, digital audio, display mounts, projector mounts, carts/stands, and a full assortment of accessories.

Peerless-AV
2300 White Oak Circle
Aurora, IL 60502 USA
(800) 865-2112
(630) 375-5100
Fax: (800) 359-6500

Peerless-AV Europe
Unit 3 Watford Interchange
Colonial Way, Watford
Herts, WD24 4WP
United Kingdom
+44 (0) 1923 200100
Fax: +44 (0) 1923 200101

Peerless-AV de México
Ave de las Industrias 413
Parque Industrial Escobedo
Escobedo, N.L.,
Mexico 66050
+52 (81) 8384-8300
Fax: +52 (81) 8384-8360

