

LCT650SD



**Mounting Pattern**  
75 x 75mm &  
100 x 100mm



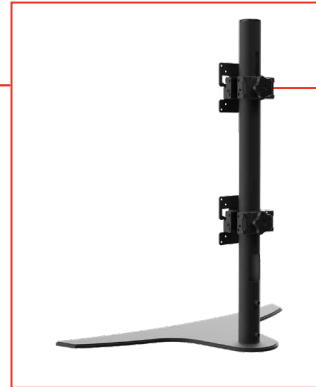
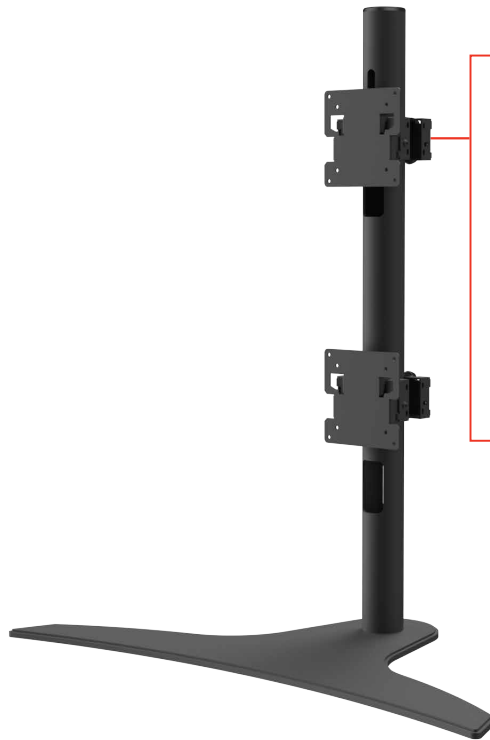
**Max Load**  
60lb  
(27.2kg)

# 1x2 Freestanding Desktop Stand

FOR 24" TO 49" ULTRA-WIDE CURVED MONITORS

Peerless-AV's 1x2 Freestanding Desktop Stand offers a secure, functional and convenient mounting solution for 24" to 49" ultra-wide curved monitors, ideal for gaming and streaming, security, control rooms, and trade market applications. The unique design allows (2) monitors to be stacked in a 1x2 layout to maximize the ability to simultaneously view multiple sources. A built-in adjustment knob allows the user to precisely position the monitors to eliminate any gap between the bezels. The two bolt Hook-and-Hang™ design allows monitors to be quickly installed or removed when maintenance is required. The slim base provides a sturdy support for the mounted monitors and a clean look ideal for any work space.

- Universal design works with 24" to 49" ultra-wide curved or flat monitors with 75 x 75 or 100 x 100mm VESA® patterns
- Internal cable management conceals all cabling for a clean and clutter free installation
- Low profile base is freestanding for convenient set up
- Hook-and-Hang™ adaptors help reduce installation and maintenance time, and allow monitors to be swapped out quickly



## HEIGHT ADJUSTABLE DESIGN

The top monitor can be adjusted vertically along the column to provide the proper spacing for stacking two monitors



1x2 Freestanding Desktop Stand  
for 24" to 49" Ultra-Wide Curved Monitors



Please visit [peerless-av.com/en-us/patents](http://peerless-av.com/en-us/patents) for patent information.

**LCT650SD** 1x2 Freestanding Desktop Stand for 24" to 49" Ultra-Wide Curved Monitors

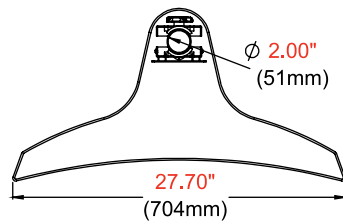
**Product Specifications**

	DIMENSIONS (W x H x D)	PRODUCT WEIGHT	LOAD CAPACITY	FINISH	AVAILABLE COLORS
<b>LCT650SD</b>	27.70" x 29.80" x 14.38" (704 x 757 x 365mm)	23.1lb (10.5kg)	60lb (27.2kg)	Scratch Resistant Fused Epoxy	Matte Black

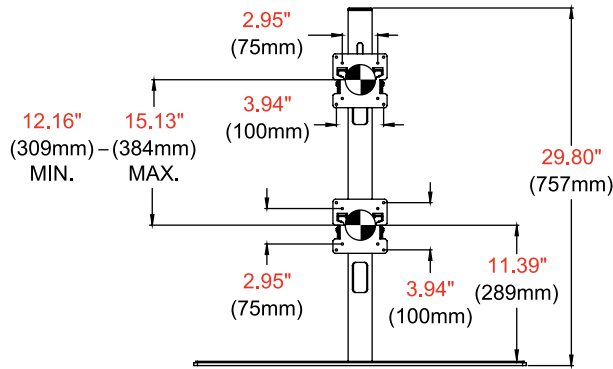
**Package Specifications**

	PACKAGE SIZE (W x H x D)	PACKAGE SHIP WEIGHT	PACKAGE UPC CODE	PACKAGE CONTENTS	UNITS IN PACKAGE
<b>LCT650SD</b>	16.38" x 5.50" x 28.38" (416 x 140 x 721mm)	25.2lb (11.4 kg)	735029342557	Base, Pole, (2) Adaptor Brackets and Mounting Hardware	1

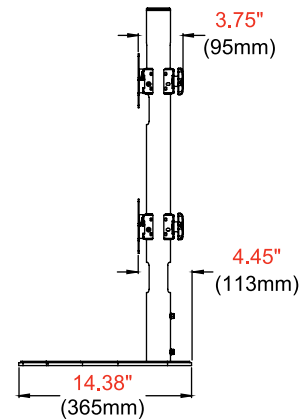
All dimensions = inch (mm)



**TOP VIEW**



**FRONT VIEW**



**SIDE VIEW**

**Architect Specifications**

The 1x2 Freestanding Desktop Stand shall be a Peerless-AV model LCT650SD and shall be located where indicated on the plans. Assembly and installation shall be done according to instructions provided by the manufacturer.

Visit [peerless-av.com](http://peerless-av.com) to see the complete line of AV solutions from Peerless-AV, including outdoor displays, kiosks, display mounts, projector mounts, carts/stands, and a full assortment of accessories.

**Peerless-AV**  
2300 White Oak Circle  
Aurora, IL 60502 USA  
**(800) 865-2112**  
**(630) 375-5100**  
**Fax: (800) 359-6500**

**Peerless-AV EMEA**  
Unit 3 Watford Interchange  
Colonial Way, Watford  
Herts, WD24 4WP  
United Kingdom  
**+44 (0) 1923 200100**  
**Fax: +44 (0) 1923 200101**

**Peerless-AV Latin America**  
Av. de las Industrias 413  
Parque Industrial Escobedo  
General Escobedo, N.L.,  
México, 66062  
**+52 (81) 8384-8300**  
**Fax: +52 (81) 8384-8360**

