

PA746



Display size
32"-50"



Max load
80lb (36kg)

Touchboards

205 Westwood Ave, Long Branch, NJ 07740
Phone: 866-94 BOARDS (26273) / (732)-222-1511
Fax: (732)-222-7088 | E-mail: sales@touchboards.com

Additional Features

- ✓ Extends 15.08" (383mm) from the wall
- ✓ Retracts to 2.81" (71mm) to save space
- ✓ +15/-5° of tilt for optimal viewing angles
- ✓ ±5° of roll for post installation display leveling
- ✓ Up to ±90° of pivot
- ✓ VESA® 100, 200 x 100, 200 x 200, 300 x 200, 300 x 300, 400 x 300 and 400 x 400mm compliant
- ✓ Design is UL listed and tested to four times stated load capacity

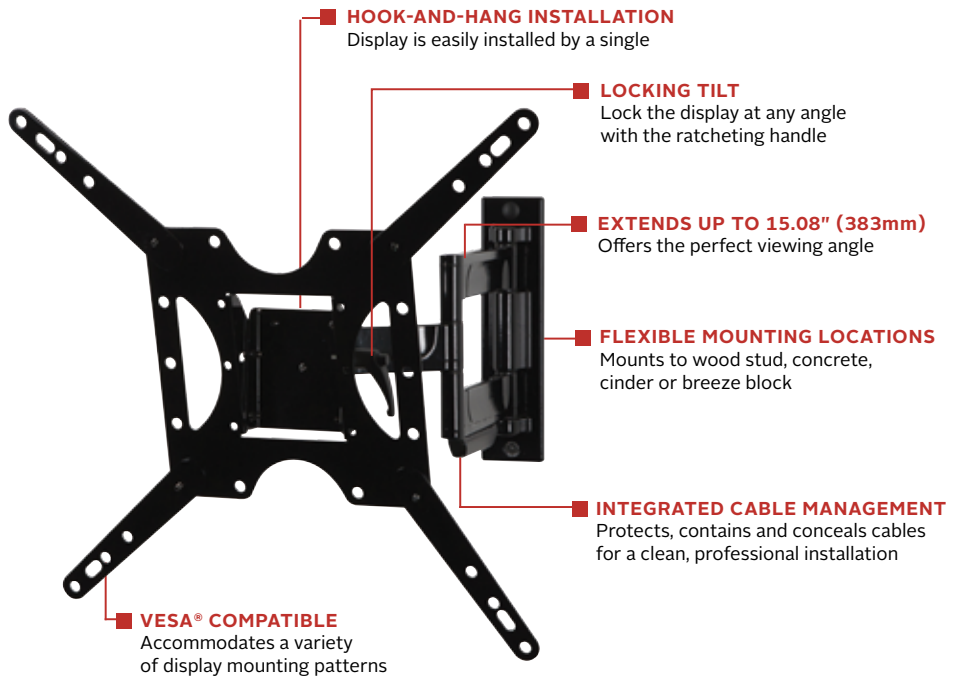
PARAMOUNT™

Articulating Wall Mount

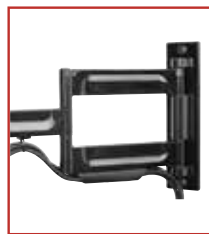
FOR 32" TO 50" DISPLAYS

The Paramount™ series wall mounts provide versatile and multi-functional features. With PA746, extend the display up to 15.08" (383mm) or fully-retract it to just 2.81" (71mm) from the wall for the perfect viewing angle. The Hook-and-Hang™ system offers easy, one-person installation of the display. A ratcheting handle provides locking tilt capability for quick adjustments to the amount of tilt, reducing glare and optimizing the viewing angle. Integrated cable management protects, contains and conceals cables for a clean installation.

Full-motion capabilities allow you to swivel, tilt, extend or retract your display for the perfect viewing angle.



Swivel, tilt, extend or retract the display for the perfect viewing angle



Integrated cable management keeps cords and cables out of the way



Please visit peerless-av.com/en-us/patents for patent information.

info@peerless-av.com
peerless-av.com

peerless-AV®

PA746	Paramount™ Articulating Wall Mount for 32" to 50" Displays
--------------	--

Product Specifications

	DIMENSIONS (W x H x D)	PRODUCT WEIGHT	LOAD CAPACITY	FINISH	AVAILABLE COLORS
PA746	16.65" x 16.65" x 2.81"-15.08" (423 x 432 x 71-383mm)	5.40lb (2.45kg)	80lb (36kg)	Scratch resistant fused epoxy	Gloss black

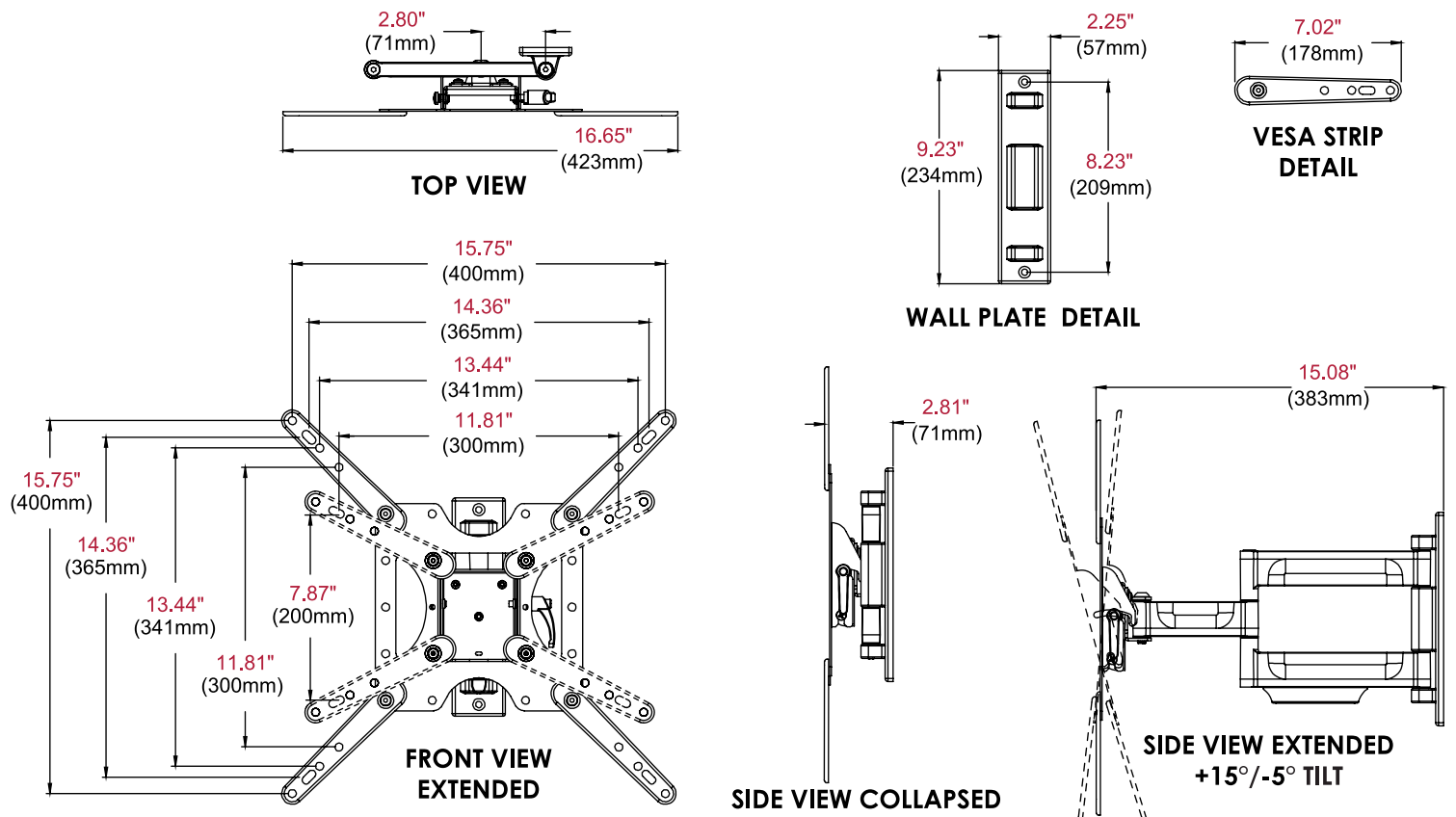
Package Specifications

	PACKAGE SIZE (W x H x D)	PACKAGE SHIP WEIGHT	PACKAGE UPC CODE	PACKAGE CONTENTS	UNITS IN PACKAGE
PA746	10.63" x 3.23" x 11.77" (270 x 82 x 299mm)	6.85lb (3.11kg)	735029304258	Wall mount, wall and display installation hardware, installation instructions	1

Accessories

WSP700/701: Metal Stud Wall Plates for 16"/24" Center Metal Studs

All dimensions = inch (mm)



Architect Specifications

The Paramount™ Articulating Wall Mount shall be a Peerless-AV model PA746 and shall be located where indicated on the plans. Assembly and installation shall be done according to instructions provided by the manufacturer.

Visit peerless-av.com to see the complete line of AV solutions from Peerless-AV, including outdoor displays, wireless, kiosks, digital audio, display mounts, projector mounts, carts/stands, and a full assortment of accessories.

Peerless-AV
 2300 White Oak Circle
 Aurora, IL 60502 USA
(800) 865-2112
(630) 375-5100
Fax: (800) 359-6500

Peerless-AV Europe
 Unit 3 Watford Interchange
 Colonial Way, Watford
 Herts, WD24 4WP
 United Kingdom
+44 (0) 1923 200100
Fax: +44 (0) 1923 200101

Peerless-AV de México
 Ave de las Industrias 413
 Parque Industrial Escobedo
 Escobedo, N.L.,
 Mexico 66050
+52 (81) 8384-8300
Fax: +52 (81) 8384-8360

