

SPK26



Max load  
**26lb (12kg)**

# Bookshelf Speaker Mount

FOR SPEAKERS UP TO 26LB (12KG)

The Peerless-AV® Bookshelf Speaker Mount is the perfect speaker mounting solution for any application. With an expandable base and heavy duty build, the SPK26 was designed to accommodate any book shelf speaker up to 26lb. The adjustable tilt feature allows you to easily raise or lower the speaker to find the ideal height.

*The bookshelf speaker mount provides a flexible mounting solution with multiple adjustments for perfect speaker placement.*

## Additional Features

- ✓ Single Wood Stud / Concrete / Cinder Block Installation
- ✓ Designed for any bookshelf speaker including speakers without threaded inserts or keyhole slots
- ✓ Each mount supports up to 26lb (12kg)
- ✓ Adjust the tilt of your speaker up to +12°/-20°, or swivel the speaker left or right up to ±35°
- ✓ Aesthetic wall plate cover hides the mounting hardware
- ✓ Double sided adhesive foam pads reduce vibration and prevent shifting of the speaker
- ✓ Sturdy mount design is made from steel with scratch resistant powder coat paint

### ■ AESTHETIC WALL PLATE COVER

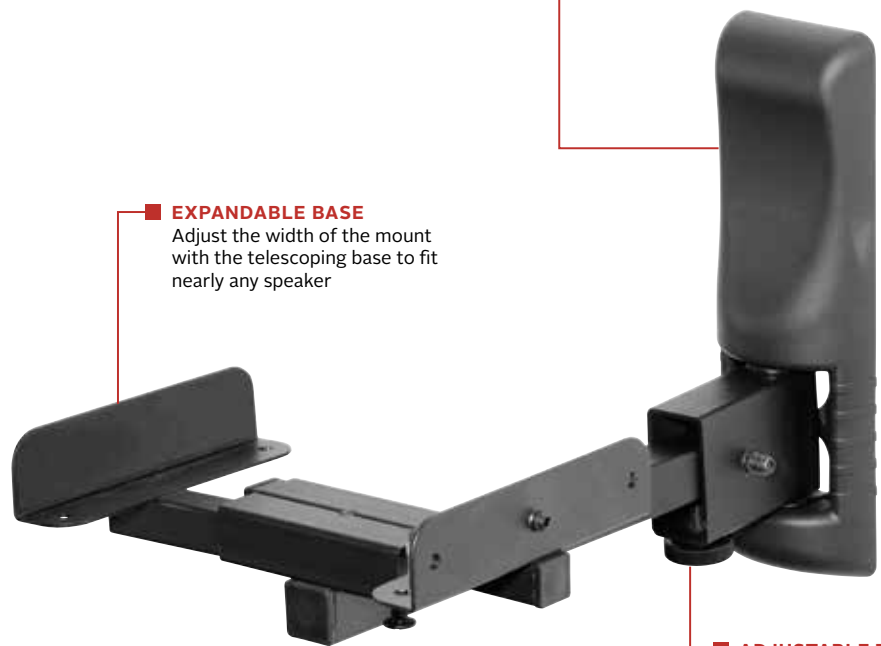
Hide all wall mounting hardware with the snap-on wall plate cover

### ■ EXPANDABLE BASE

Adjust the width of the mount with the telescoping base to fit nearly any speaker

### ■ ADJUSTABLE TILT

Easily raise or lower the angle of the speaker by adjusting the thumb screw



Speaker mount shown with 5" x 7" (127 X 178mm) bookshelf speaker

# Touchboards

205 Westwood Ave, Long Branch, NJ 07740  
Phone: 866-94 BOARDS (26273) / (732)-222-1511  
Fax: (732)-222-7088 | E-mail: sales@touchboards.com

RoHS

**SPK26** Bookshelf Speaker Mount for speakers up to 26lb (12kg)

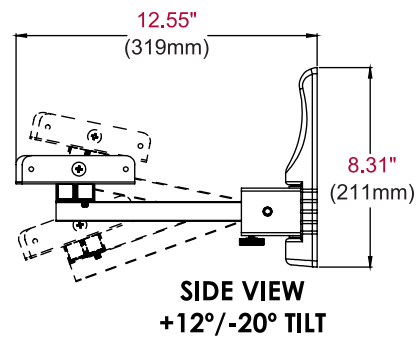
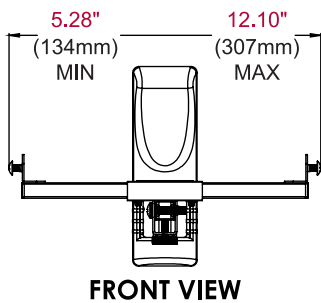
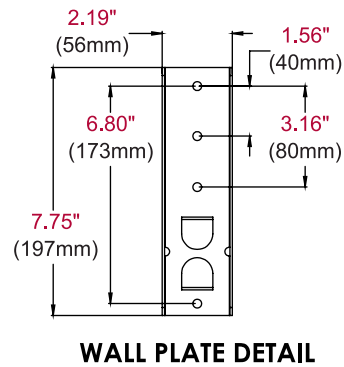
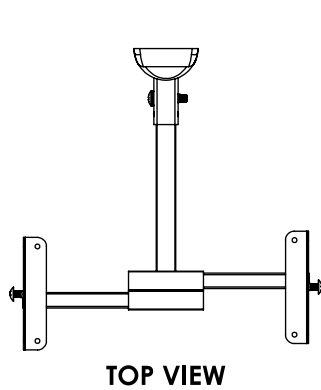
**Product Specifications**

	DIMENSIONS (W x H x D)	PRODUCT WEIGHT	LOAD CAPACITY	FINISH	AVAILABLE COLORS
<b>SPK26</b>	5.91"-11.02" x 8.27" x 12.28" (150-280 x 210 x 312mm)	4.30lb (1.95kg)	26lb (12kg)	Textured	Black

**Package Specifications**

	PACKAGE SIZE (W x H x D)	PACKAGE SHIP WEIGHT	PACKAGE UPC CODE	PACKAGE CONTENTS	UNITS IN PACKAGE
<b>SPK26</b>	11.50" x 8.75" x 3.125" (292 x 222 x 79mm)	5.05lb (2.29kg)	735029313250	(2) Speaker Mounts and Wall Mounting Hardware	2

All dimensions = inch (mm)



**Architect Specifications**

The Bookshelf Speaker Mount shall be a Peerless-AV® model SPK26 and shall be located where indicated on the plans. Assembly and installation shall be done according to instructions provided by the manufacturer.

Visit [peerless-av.com](http://peerless-av.com) to see the complete line of AV solutions from Peerless-AV, including outdoor displays, wireless, kiosks, digital audio, display mounts, projector mounts, carts/stands, and a full assortment of accessories.

**Peerless-AV**  
2300 White Oak Circle  
Aurora, IL 60502 USA  
**(800) 865-2112**  
**(630) 375-5100**  
**Fax: (800) 359-6500**

**Peerless-AV Europe**  
Unit 3 Watford Interchange  
Colonial Way, Watford  
Herts, WD24 4WP  
United Kingdom  
**+44 (0) 1923 200100**  
**Fax: +44 (0) 1923 200101**

**Peerless-AV de México**  
Ave de las Industrias 413  
Parque Industrial Escobedo  
Escobedo, N.L.,  
Mexico 66050  
**+52 (81) 8384-8300**  
**Fax: +52 (81) 8384-8360**

