

SR598-HUB



Display size
55" to 98"



Max load
300lb (136.1kg)
display

SMARTMOUNT.

Cart for use with the Microsoft® Surface™ Hub

COMPATIBLE WITH BOTH 55" AND 84" MODELS

The SmartMount® Flat Panel Cart was designed to safely mount, move, and store the 55" and 84" versions of the Microsoft® Surface™ Hub. The cart is UL® rated up to 300 lb., sits at Microsoft's recommended viewing height, and offers vertical adjustment so the display can be positioned at any height up to 60" from the floor, if needed. Large wall plate and locking casters provide a stable foundation for touch applications, while cable management channels provide a neat appearance, and quick and simple setup. Ideal for education, corporate, or hospitality applications, the SR598-HUB is the perfect mobile solution for any collaborative setting. .

Safely and easily maneuver your Microsoft® Surface™ Hub from room to room with the SR598-HUB.

Additional Features

- ✓ Display can be located anywhere along the column for perfect viewing height (up to 60" at center)
- ✓ Integrated cable management protects, contains and conceals cables for a clean, professional installation
- ✓ Maneuvers easily on 4" (102mm) swivel casters, two locking
- ✓ Textured black powder coat finish helps hide finger prints and dust
- ✓ Open frame display adaptor helps prevent display input interference
- ✓ Universal mount fits displays with mounting patterns from 200 x 200mm up to 1200 x 600mm
- ✓ Corner bumpers prevent damage to doors and walls while moving or storing cart
- ✓ Includes extension cord manager on the base of the cart
- ✓ UL listed load rating of 300lb (136.1kg)



Touchboards

205 Westwood Ave, Long Branch, NJ 07740
Phone: 866-94 BOARDS (26273) / (732)-222-1511
Fax: (732)-222-7088 | E-mail: sales@touchboards.com



Cable Management



4" (102mm) Heavy-Duty
Locking Casters



Corner Bumpers

SR598-HUB SmartMount® Cart for use with the Microsoft® Surface™ Hub (Compatible with both 55" and 84" Models)

Product Specifications

	DIMENSIONS (W X H X D)	PRODUCT WEIGHT	LOAD CAPACITY	FINISH	AVAILABLE COLORS
SR598-HUB	51.15" x 72.44" x 29.97" (1299 x 1840 x 761mm)	95lb (43.1kg)	300lb (136.1kg)	Textured Powder Coat	Black

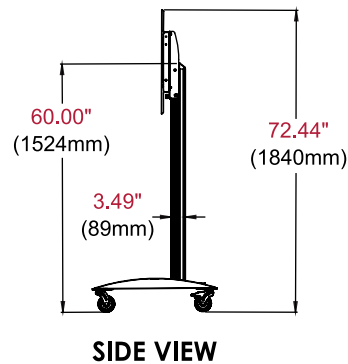
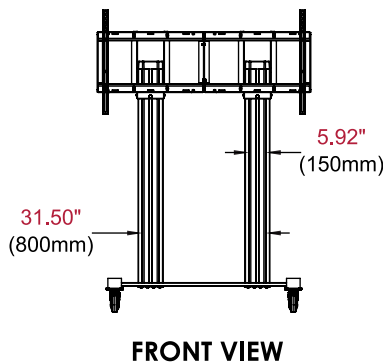
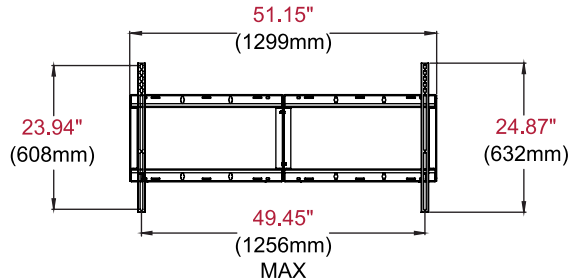
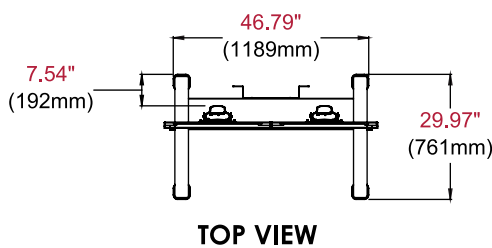
Package Specifications

	PACKAGE SIZE (W x H x D)	PACKAGE SHIP WEIGHT	PACKAGE UPC CODE	PACKAGE CONTENTS	UNITS IN PACKAGE
SR598-HUB	47.50" x 12.50" x 38.50" (1207 x 318 x 978mm)	115lb (52.2kg)	735029311928	Assembled base, (2) Aluminum columns, Universal display adaptor, (2) swivel casters, (2) locking swivel casters, hardware & instructions	1

Accessories

- ACC320:** Electrical Outlet Strip with Cord Wrap
- ACC-GS1:** SmartMount® Tempered Glass Shelf
- ACC-MS:** SmartMount® Metal Shelf
- ACC-VCS:** SmartMount® Video Conferencing Camera Shelf

All dimensions = inch (mm)



Architect Specifications

The SmartMount® Cart for use with the Microsoft® Surface™ Hub shall be a Peerless-AV model SR598-HUB and shall be located where indicated on the plans. Assembly and installation shall be done according to instructions provided by the manufacturer.

Visit peerless-av.com to see the complete line of AV solutions from Peerless-AV, including outdoor displays, wireless, kiosks, digital audio, display mounts, projector mounts, carts/stands, and a full assortment of accessories.

Peerless-AV
2300 White Oak Circle
Aurora, IL 60502 USA
(800) 865-2112
(630) 375-5100
Fax: (800) 359-6500

Peerless-AV Europe
Unit 3 Watford Interchange
Colonial Way, Watford
Herts, WD24 4WP
United Kingdom
+44 (0) 1923 200100
Fax: +44 (0) 1923 200101

Peerless-AV de México
Ave de las Industrias 413
Parque Industrial Escobedo
Escobedo, N.L.,
Mexico 66050
+52 (81) 8384-8300
Fax: +52 (81) 8384-8360

