

WL-SR560M-300



Display size
32"-75"



Max load
150lb (68.2kg)
display
10lb (4.55kg)
shelf

Wireless Flat Panel Cart

FOR 32" TO 75" DISPLAYS

Peerless-AV's Wireless Flat Panel Cart delivers mobility, convenience and safety. It is capable of streaming Full HD 1080p and passive 3D wireless content streaming to any space without the need to have long signal cables being dragged through doorways, corridors or conference rooms. The Wireless Cart comes with everything needed to stream Full HD 1080p and passive 3D signal at distances up to 210ft (64m) even through floors, walls and ceilings, and offers the ability to stream from one source up to six displays*. Source device control is simplified with a built in IR repeater system. No matter where the components are stored they can be controlled from the display location. The Wireless Flat Panel Cart is the ultimate solution for flat panel display mobility, cable free content delivery and display placement convenience.

*Additional receiver units (HDS300-R) required. Up to six receivers can be used with one transmitter unit. The WL-SR560M-300 comes with the PeerAir™ Pro Wireless AV Multi-Display System (HDS300)

WL-SR560M-300 comes with every component needed to stream wireless Full HD 1080p and passive 3D content through walls, floors or ceilings.

Additional Features

- ✓ Includes everything needed to stream wireless Full HD 1080p and passive 3D content to the mounted display through walls, floors or ceilings
- ✓ Provides wireless component and cable storage for a clean look
- ✓ Built-in 3-tap grounded outlet for wireless components and display power allowing for only one power cable to be routed to the power outlet
- ✓ Vertical adjustment feature to achieve the ideal viewing height
- ✓ Internal cable management neatly hides all cords and cables for a clean, clutter-free look
- ✓ Metal shelf can be located anywhere along the column assembly
- ✓ 4" swivel casters with two locking casters ensure stability, safety and easy maneuverability
- ✓ Quick and easy installation and plug-and-play wireless set up



Includes everything needed to quickly and easily stream wireless content to the display without the need to run signal cables



Model Numbers

**WARRANTY: 5 years on the cart
1 year on the wireless components**

WL-SR560M-300 Wireless Flat Panel Display Cart for 32" to 75" Displays

Product Specifications

PART NUMBER	WL-SR560M-300
DISPLAY SIZE	32" to 75"
MAX LOAD	150lb (68kg) display 10lb (4.55kg) shelf
UNIVERSAL DISPLAY ADAPTOR	200 x 200 up to 600 X 400mm
TILT	-5°, 0°
PRODUCT WEIGHT	76.8lb (34.9kg)
FINISH	Textured Powder Coat (Cart), High Gloss Polycarbonate (Wireless Integration Modules)
COLOR	Black cart with metal shelf

WIRELESS RANGE	210ft (64m)
VIDEO INPUT (TRANSMITTER)	3 x HDMI up to 1080p (60Hz) 1 x VGA: High Density 15-Pin D-Sub (RGB) 1 x Composite (via included dongle) 1 x YPbPr Component (via included dongle)
VIDEO OUTPUT (RECEIVER)	1 x HDMI up to 1080p (60Hz) 1 x Composite 1 x YPbPr Component
VIDEO OUTPUT (TRANSMITTER)	1 x HDMI up to 1080p (60Hz)** (Via Pass-thru Port)
AUDIO	2 Ch. Linear PCM, Analog, 48kHz 16-bit ADC
AUDIO INPUT	1 x 3.5mm Audio Jack (Transmitter)
AUDIO OUTPUT	1 x 3.5mm Audio Jack 1 x Stereo RCA Audio Jack (Receiver)
WIFI FREQUENCY	5.18 - 5.25GHz & 5.75 - 5.81GHz
LATENCY	40ms
POWER	Voltage: 120V AC, 60Hz Consumption: 12V DC, 2A

** From HDMI 1 input only

Package Specifications

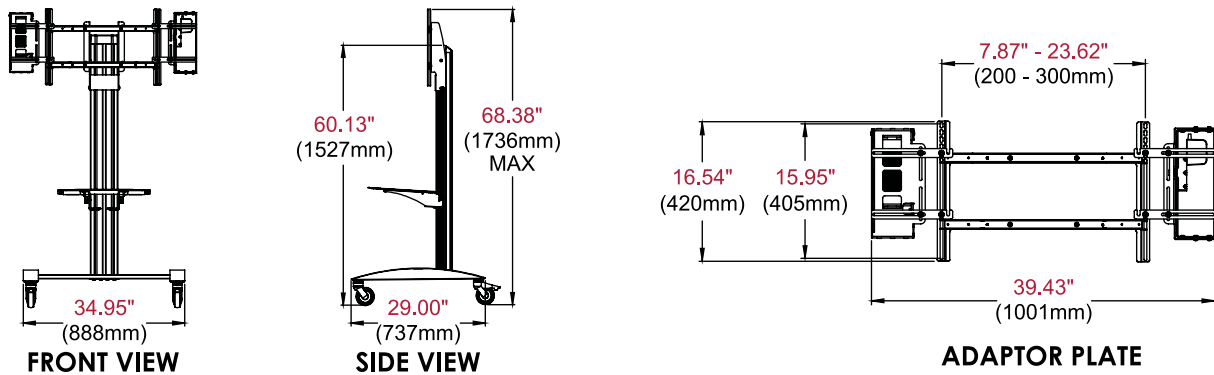
	PACKAGE SIZE (W x H x D)	PACKAGE SHIP WEIGHT	PACKAGE UPC CODE	PACKAGE CONTENTS	UNITS IN PACKAGE
WL-SR560M-300	47.50" x 7.25" x 38.50" (1207 x 184 x 978mm)	91.45lb (41.48kg)	735029311423	Assembled Base, Aluminum Column, Universal Display Adaptor, Metal Component Shelf, (2) Swivel Casters, (2) Locking Swivel Casters, Hardware & Instructions	1

Accessories

ACC310: Feet Accessory
ACC-MS: Metal Shelf
ACC-VCS: Video Conferencing Camera Shelf

ACC320: Electrical Outlet Strip with Cord Wrap
HDS-300R: PeerAir™ Pro Wireless AV Multi-Display Receiver
HDS-ASE: Wireless TX/RX Security Enclosure for use with PeerAir™ Pro Models

All dimensions = inch (mm)



Architect Specifications

The Wireless Flat Panel Cart shall be a Peerless-AV model WL-SR560M-300 and shall be located where indicated on the plans. Assembly and installation shall be done according to instructions provided by the manufacturer.

Visit peerless-av.com to see the complete line of AV solutions from Peerless-AV, including outdoor displays, wireless, kiosks, digital audio, display mounts, projector mounts, carts/stands, and a full assortment of accessories.

Peerless-AV
2300 White Oak Circle
Aurora, IL 60502 USA
(800) 865-2112
(630) 375-5100
Fax: (800) 359-6500

Peerless-AV Europe
Unit 3 Watford Interchange
Colonial Way, Watford
Herts, WD24 4WP
United Kingdom
+44 (0) 1923 200100
Fax: +44 (0) 1923 200101

Peerless-AV de México
Ave de las Industrias 413
Parque Industrial Escobedo
Escobedo, N.L.,
Mexico 66050
+52 (81) 8384-8300
Fax: +52 (81) 8384-8360

peerless-AV®

LIT-0782 Rev.4