

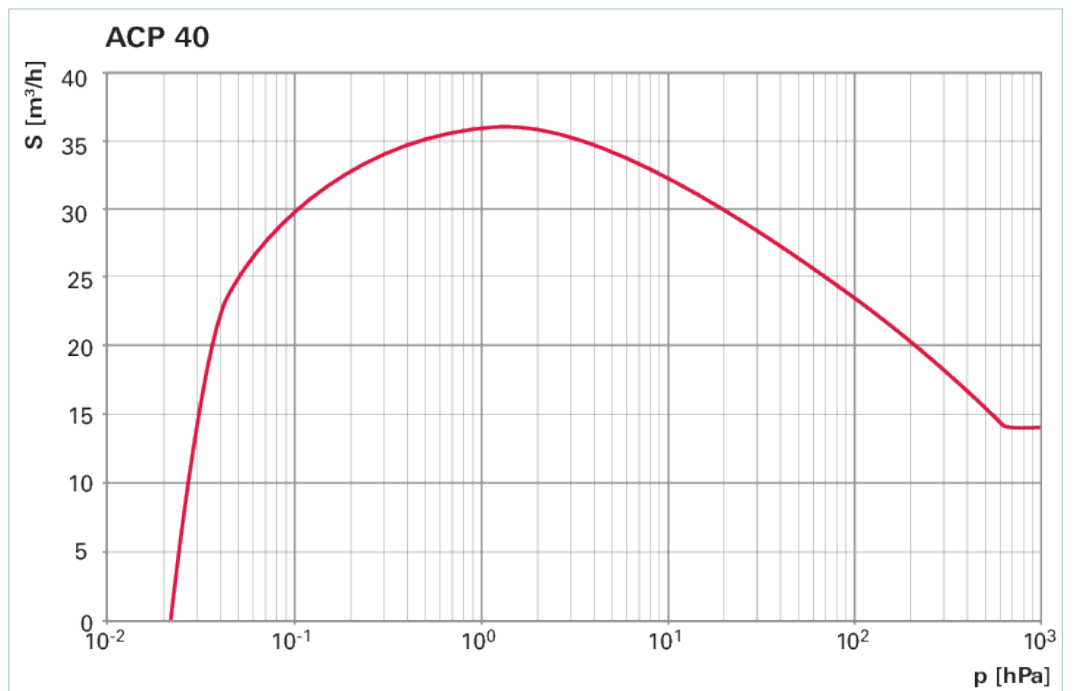
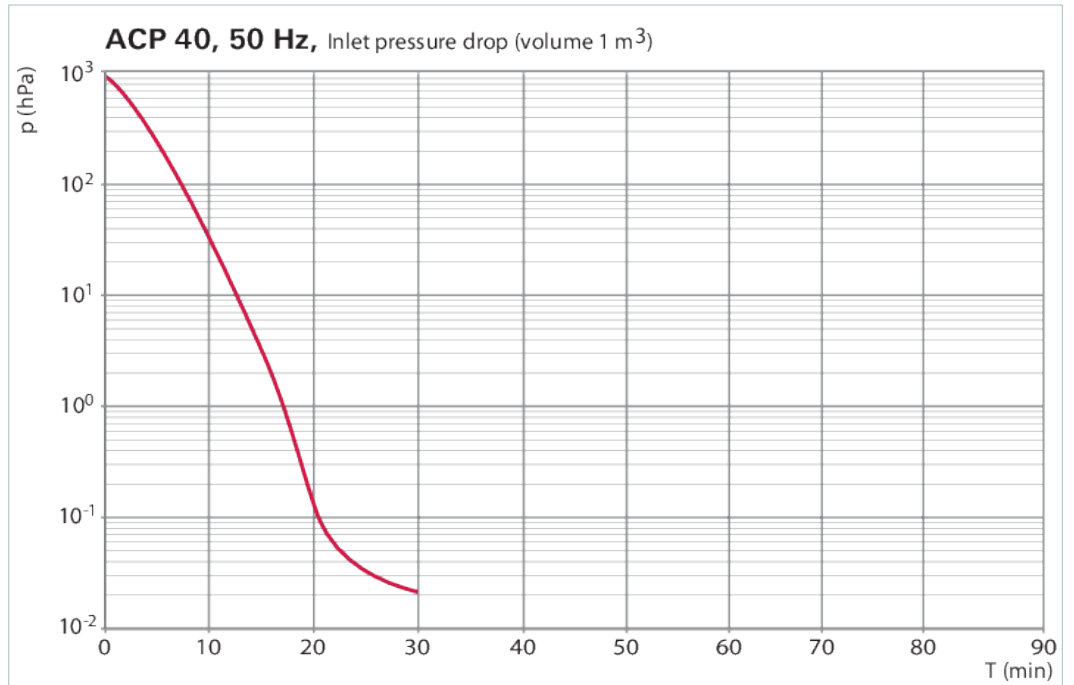


ACP 40, standard, single phase, manual gas ballast

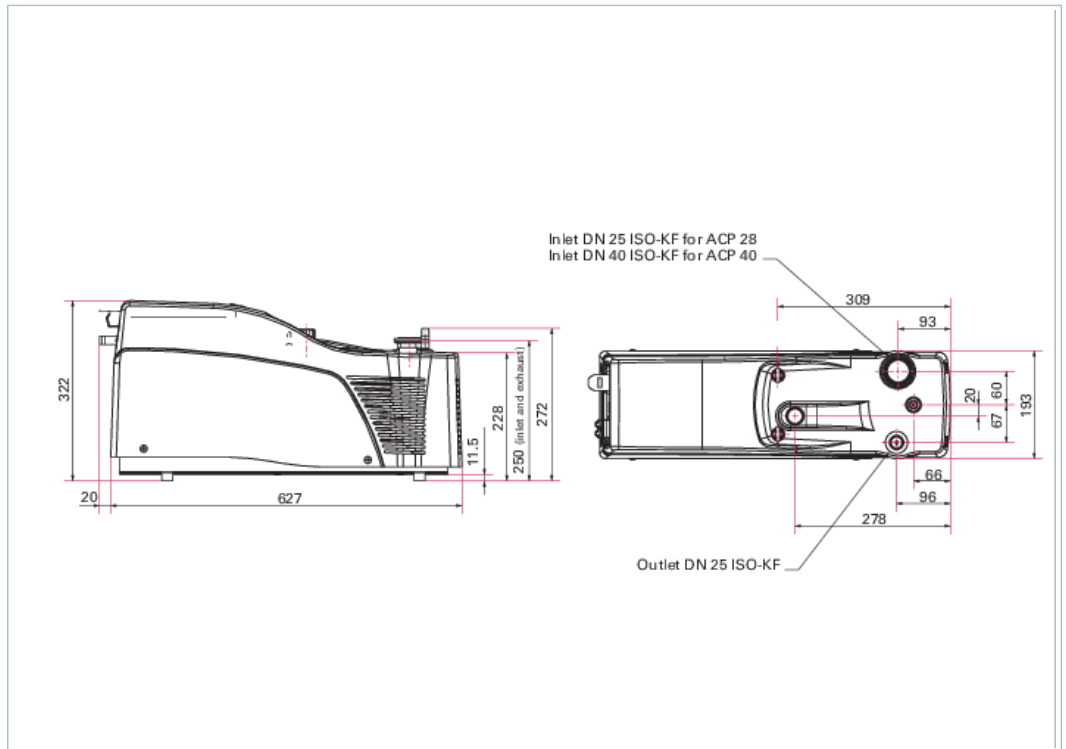
ACP 40, standard, single phase, manual gas ballast



Similar Image



Dimensions



Technical Data	ACP 40, standard, single phase, manual gas ballast
Ambient temperature	12-40 °C 53.6-104 °F 285-313 K
Connection flange (in)	DN 40 ISO-KF
Connection flange (out)	DN 25 ISO-KF
Continuous inlet pressure, max.	1,013 hPa 759.75 Torr 1,013 mbar
Cooling method	Air
Dimensions (L x W x H)	647 x 193 x 322 mm 25.47 x 7.6 x 12.68 inch
Exhaust pressure, max.	1,200 hPa 900 Torr 1,200 mbar
Gas ballast	Yes
Gas ballast flow	2.4 m³/h 1.41 cfm 40 l/min
Helium leakage rate, max.	$5 \cdot 10^{-7}$ hPa·l/s
Mains cable	Yes, EU mains cable
Mains connection	110 – 230 V AC (±10%) 50/60 Hz
Mains connection: frequency (range)	50/60 Hz
Max. pumping capacity of pure water vapor at 20°C	120 g/h
Power consumption at final pressure	700 W
Processes	Light Duty Applications
Pumping speed	37 m³/h 21.78 cfm 616.67 l/min
Sound pressure level	65 dB(A)
Version	Standard
Weight	32 kg 70.55 lb

Order number	
ACP 40, standard	V8SACSGEMF

Accessories	
Connections Connection kits for mounting of pumps	
Connection kit for mounting pumps, DN 40 ISO-KF	120SWS040-1000
Control Devices Power supplies and control displays	
OmniControl 200 with TPR 270	PT 440 950 -T
ISO-KF, welded bellows sealed	
HV angle valve, DN 40 ISO-KF, manually operated, 304/FKM, "A"-dim. 65 mm	ESV-S04100
Noise Reduction Exhaust silencers	
External silencer ES 25 S, DN 25	109873
Noise Reduction Noise reduction covers	
Noise reduction cover NRC 28/40, for ACP 28 and ACP 40 pumps	112637
Sound enclosure kit SEK 28/40, for ACP 28 and ACP 40 pumps	114379
Protection Dust separators/Inlet particle filters	
Inlet particle filter IPF 40, DN 40	111647
Valves Isolation valves	
AVC 040 PA, angle valve, electro-pneumatic, with PI, with PV, PV 24 V DC	PF A58 204

VACUUM SOLUTIONS FROM A SINGLE SOURCE

Pfeiffer Vacuum stands for innovative and custom vacuum solutions worldwide, technological perfection, competent advice and reliable service.

COMPLETE RANGE OF PRODUCTS

From a single component to complex systems:

We are the only supplier of vacuum technology that provides a complete product portfolio.

COMPETENCE IN THEORY AND PRACTICE

Benefit from our know-how and our portfolio of training opportunities!

We support you with your plant layout and provide first-class on-site service worldwide.

Are you looking for a
perfect vacuum solution?
Please contact us:

Pfeiffer Vacuum GmbH
Headquarters · Germany
T +49 6441 802-0
info@pfeiffer-vacuum.de

www.pfeiffer-vacuum.com

All data subject to change without prior notice.

PFEIFFER  **VACUUM**