



# PicoSource<sup>®</sup> PG900 Series

USB differential pulse generators

Quick Start Guide



# CONTENTS

1.	Introduction.....	1
2.	Safety information .....	1
2.1	Symbols.....	2
2.2	Maximum input and output ranges.....	2
2.3	Grounding.....	3
2.4	External connections.....	3
2.5	Environment.....	4
2.6	Care of the product .....	4
3.	System requirements .....	5
4.	Included with your PicoSource PG900 pulse generator .....	5
5.	Installing the PicoSource pulse generator and software.....	6
6.	Using your pulse generator .....	7
6.1	Getting started with the PicoSource PG900 software .....	7
6.2	Connection diagrams .....	9
7.	Free newsletter .....	11
8.	Software updates and replacement.....	11
9.	User’s guides .....	11
10.	Specifications .....	11
11.	Technical support.....	11
12.	Warranty and returns.....	11



# 1. Introduction

Thank you for purchasing a PicoSource pulse generator.

The fast-transition output from the PicoSource pulse generators can stimulate a transmission path, device, or network with a broad-spectrum signal in a single instant. These signals, combined with differential capability, are invaluable for making high-speed broadband measurements in many fields such as time domain reflectometry, semiconductor testing, gigabit interconnect and port testing, and radar systems.

Three differential output models are available, offering extensive control over pulse parameters including amplitude, pulse period, pulse width and deskew between output channels.

- The **PicoSource PG911** is a two-channel pulse generator based on Step Recovery Diode (SRD) technology. It produces two pulses, up to 6 V amplitude with 60 ps rise time.
- The **PicoSource PG912** is a two-channel pulse generator based on Tunnel Diode (TD) technology. It uses remote tunnel diode pulse heads to produce positive and negative 200 mV pulses with 40 ps rise time.
- The **PicoSource PG914** is a four-channel pulse generator benefiting from both SRD and TD technology.

For further setup information following basic installation, see the *User's Guide* by either clicking the **Help** menu within the PicoSource PG900 software or opening the PDF directly from the software disk.

## 2. Safety information

To prevent possible electrical shock, fire, personal injury, or damage to the product, carefully read this safety information before attempting to install or use the product. In addition, follow all generally accepted safety practices and procedures for working with and near electricity.

The product has been designed and tested in accordance with the European standard publication EN 61010-1:2010, and left the factory in a safe condition.

The following safety descriptions are found throughout this guide:

A **WARNING** identifies conditions or practices that could result in injury or death.

A **CAUTION** identifies conditions or practices that could result in damage to the product or equipment to which it is connected.

## 2.1 Symbols

These safety and electrical symbols may appear on the product or in this guide.

Symbols	Description
	Direct current
	Alternating current
	Earth (ground) terminal
	Chassis terminal
	Possibility of electric shock
	Caution
	Static awareness. Static discharge can damage parts.
	Do not dispose of this product as unsorted municipal waste

This terminal can be used to make a measurement ground connection. It is NOT a safety or protective earth.

Appearance on the product indicates a need to read this safety and operation instruction.



### WARNING

To prevent injury or death use the product only as instructed and use only accessories supplied or recommended. Protection provided by the product may be impaired if used in a manner not specified by the manufacturer.

## 2.2 Maximum input and output ranges

Observe all terminal ratings and warnings marked on the product.

The table below indicates the maximum voltage of the outputs and the overvoltage protection range for the trigger input on each pulse generator. The overvoltage protection ranges are the maximum voltages that can be applied without damaging the instrument.

Connection port	Maximum voltage (output or input)	Overvoltage protection
Positive and negative integrated pulse outputs	$\pm 8$ V unterminated	$\pm 10$ V Do not connect a source
Drive outputs	$\pm 5$ V DC or AC pk	$\pm 5$ V DC or AC pk Do not connect a source
Tunnel diode pulse head outputs	250 mV	0 V Do not connect a source
Trigger input	$\pm 2$ V DC or AC pk	$\pm 2$ V DC or AC pk
Trigger output	+3 V DC or AC pk	+4 V / -2 V DC Do not connect a source

**WARNING**

To prevent electric shock or permanent damage to the signal source, do not connect an input voltage to the integrated pulse outputs or the tunnel diode pulse heads.

**CAUTION**

Exceeding the overvoltage protection range on any connector can cause permanent damage to the instrument and other connected equipment.

## 2.3 Grounding

**WARNING**

The instrument's ground connection through the USB cable is for functional purposes only. The instrument does not have a protective safety ground.

**WARNING**

To prevent injury or death, or permanent damage to the instrument, never connect the ground of an input or output (chassis) to any electrical power source. To prevent personal injury or death, use a voltmeter to check that there is no significant AC or DC voltage between the pulse generator's ground and the point to which you intend to connect it.

**CAUTION**

To prevent signal degradation caused by poor grounding, always use the high-quality USB cable supplied with the instrument.

## 2.4 External connections

**WARNING**

To prevent injury or death, only use the adaptor supplied with the product. This is approved for the voltage and plug configuration in your country.

PicoSource model	USB connection	EXT power supply		
		Voltage (V)	Current (A pk)	Total power (W)
PG900 Series	USB 2.0. Compatible with USB 3.0.	5 V	1.6 A pk	8 W

**CAUTION**

Take care to avoid mechanical stress or tight bend radii for all connected leads, including all coaxial leads and connectors. Mishandling will cause deformation of sidewalls, and will degrade performance.

## 2.5 Environment



**WARNING**

To prevent injury or death, do not use in wet or damp conditions, or near explosive gas or vapor.



**CAUTION**

To prevent damage, always use and store your pulse generator in appropriate environments.

	Storage	Operating
Temperature	-20 °C to +50 °C	+5 °C to +35 °C +15 °C to +25 °C for quoted accuracy
Humidity	≤ 95% RH (non-condensing)	≤ 85% RH at 35 °C (non-condensing)
Altitude	2000 m	
Pollution degree	2	

## 2.6 Care of the product

The product and accessories contain no user-serviceable parts. Repair, servicing and calibration require specialized test equipment and must only be performed by Pico Technology or an approved service provider. There may be a charge for these services unless covered by the Pico two year warranty.



**WARNING**

To prevent injury or death, do not use the product if it appears to be damaged in any way, and stop use immediately if you are concerned by any abnormal behavior.



**CAUTION**

To prevent damage to the device or connected equipment, do not tamper with or disassemble the instrument, case parts, connectors, or accessories.

When cleaning the product, use a soft cloth and a solution of mild soap or detergent in water, and do not allow liquids to enter the instrument's casing.



### 3. System requirements

To ensure that the PicoSource pulse generator and PicoSource PG900 software operate correctly, you must use a computer with the system requirements and one of the operating systems shown in the table below.

Processor	As required by the operating system
Memory	
Free disk space	
Operating system	Microsoft Windows XP (SP3), Vista, 7, 8 (not Windows RT) or 10. 32-bit or 64-bit.
Ports	USB 2.0 (also compatible with USB 3.0)

### 4. Included with your PicoSource PG900 pulse generator

PicoSource PG900 Pulse Generator kits contain the following items:

- PicoSource PG900 Pulse Generator
- PicoSource PG900 software disk
- Storage and carry case
- AC adaptor 5 V DC at 2 A, universal input
- USB 2.0 cable, 1.8 m
- SMA/PC3.5/2.92 wrench
- Quick Start Guide

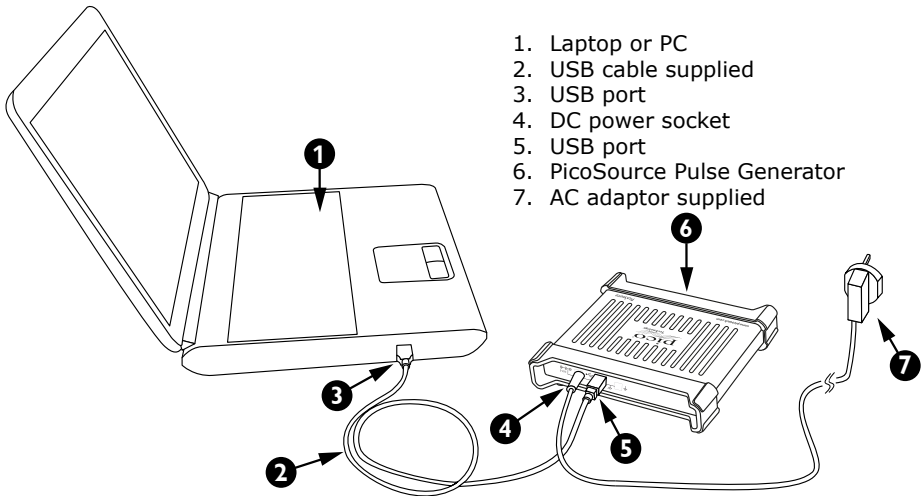
Each pulse generator is also supplied with additional accessories, as shown below.

Accessories	Order code	PicoSource model		
		PG911	PG912	PG914
9040 40 ps TD positive pulse head	–		1	1
9041 40 ps TD negative pulse head	–		1	1
12 GHz N(f) to SMA(m) adaptor (fitted to TD pulse heads)	TA172		2	2
10 GHz 20 dB SMA(m-f) attenuator (fitted to SRD pulse outputs)	TA173	2		2
50 $\Omega$ coaxial SMA(m-m) pulse drive cable, 60 cm	–		2	2

Some product packs may contain additional items. For a full list of all available kits and additional accessories, see the *User's Guide* or visit [www.picotech.com](http://www.picotech.com).

## 5. Installing the PicoSource pulse generator and software

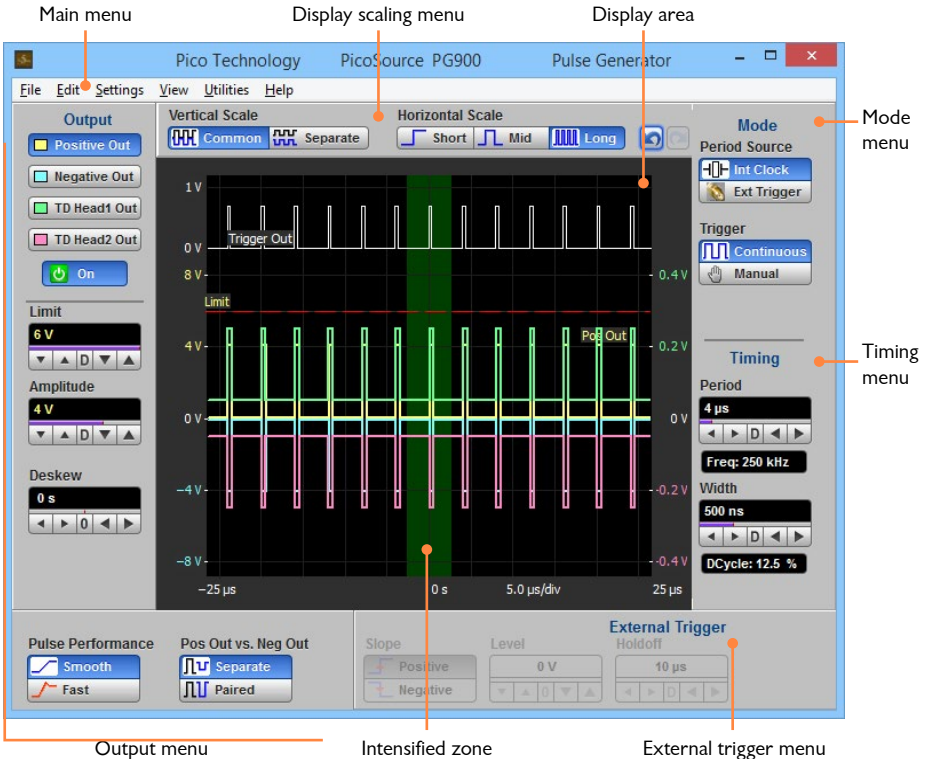
1. Install the PicoSource PG900 software using the software disk supplied. Alternatively, you can download the software from **[picotech.com/downloads](http://picotech.com/downloads)**. Follow the on-screen instructions to complete the setup.  
Note: Do not connect the pulse generator until the installation is complete.
2. Connect the power cord to the power adaptor, and plug it into a mains (line) power socket. Then connect the DC power cord to the back of the pulse generator, and switch on the mains power.
3. **Earth (ground) terminal.** Some laptop power supplies can produce electrical noise which may interfere with your measurements. If this occurs, the earth terminal can be connected to an external ground point (for example, on the system you are testing) to provide a ground reference for the instrument. This can help to avoid external noise interfering with your signal. Alternatively, you can run the laptop using battery power.



4. Connect the pulse generator to the PC using the USB cable supplied. Windows may automatically display a **New Hardware Found** notification. Follow any instructions shown. Note: If Windows asks to connect to Windows Update, select **No**.
5. Run the PicoSource PG900 software.

## 6. Using your pulse generator

### 6.1 Getting started with the PicoSource PG900 software



#### Main menu

Store and recall your settings, and access detailed **Help** information.

#### Display scaling

These controls allow you to adjust how information is shown in the **Display area**. The **Intensified zone** shows a section of the waveform that can be expanded using the **Horizontal scale** control. This function can be used to show the pulse train and the pulse timing, including the timing in relation to the trigger.

#### Mode menu

Select a trigger source (internal or external) and operating mode. When **Ext Trigger** is selected as the source, the **External trigger menu** will be enabled.

#### Timing menu

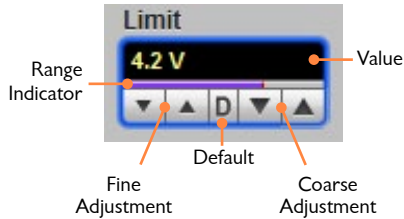
Adjust the period and width of the pulse.

## Output menu

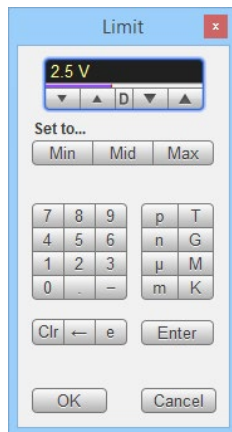
Select the appropriate channel and adjust the related parameters. Choose from **Positive Out** and **Negative Out** (for the integrated step recovery diode outputs) or **TD Head1 Out** and **TD Head2 Out** (for the tunnel diode pulse heads).

## Adjusting a parameter

The value of a parameter can be adjusted in a number of ways:



- Use the up and down arrows to adjust the value in **Fine** or **Coarse** increments, or click **D** to return to the default value.
- Click and drag the **Range Indicator** bar.
- Click the parameter box to highlight it, and directly type a precise new value using your keyboard.
- Right click on the value to quickly access the **Maximum**, **Middle**, or **Minimum** value.
- Right click on the value and select **Calculator** to enter a precise new value using the on-screen keypad.

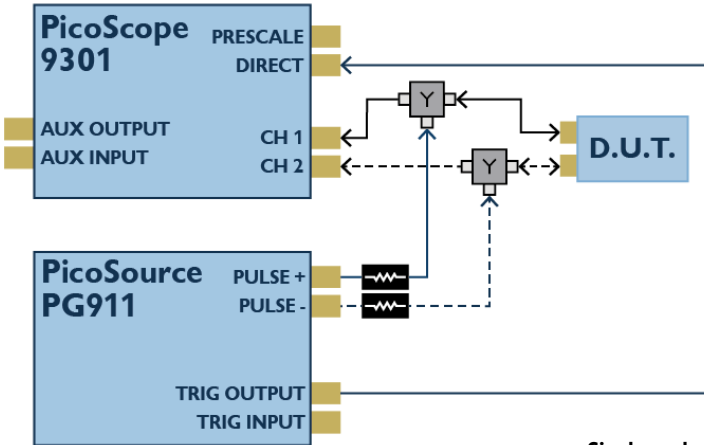


## 6.2 Connection diagrams

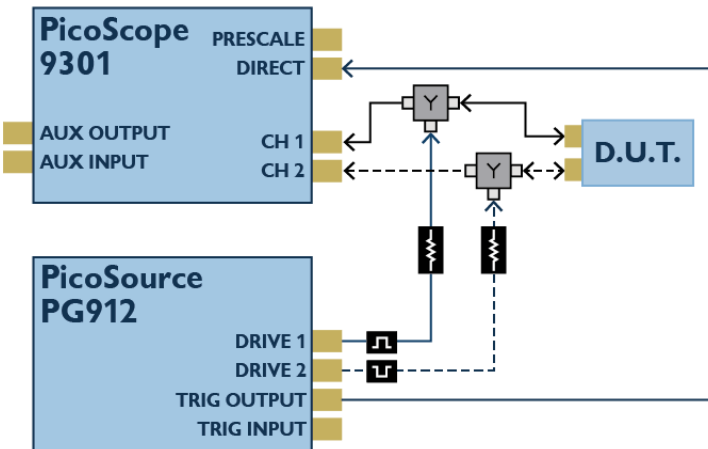
The following diagrams illustrate time domain transmission and reflectometry setup options using a PicoSource pulse generator, a PicoScope oscilloscope, and the device under test (DUT). In all setups, the pulse generator shown can be substituted by the PicoSource PG914.

Signal connections should be made using precision SMA cables, unless otherwise specified. Trigger connections can be made using lower grade cables.

### TDR applications

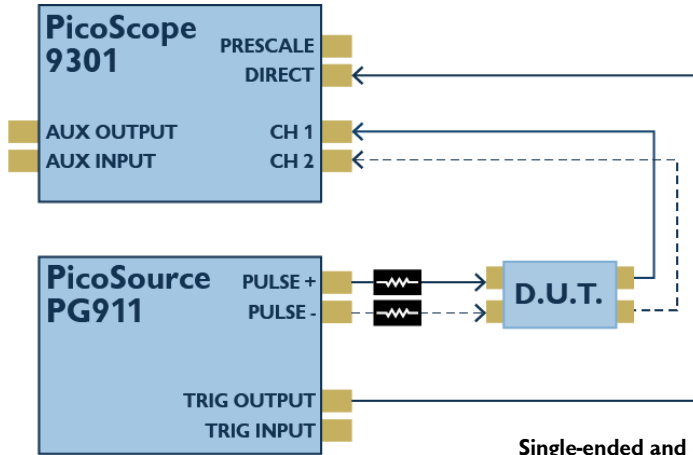


Single-ended and differential connections for TDR testing, using a PicoSource pulse generator with SRD outputs



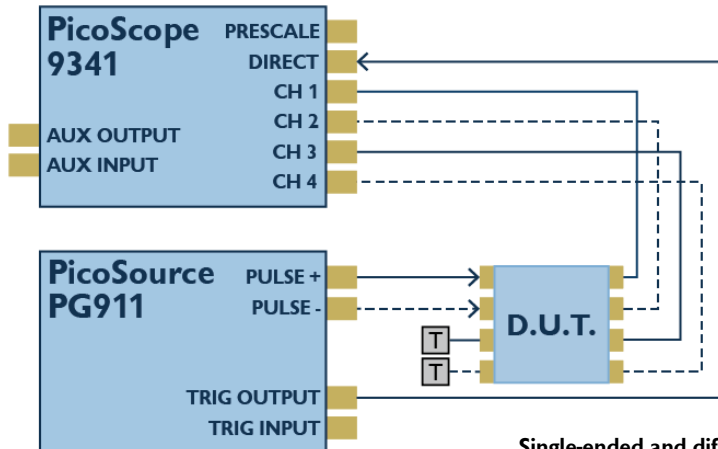
Single-ended and differential connections for TDR testing, using a PicoSource pulse generator with TD pulse head outputs

### TDT applications



Single-ended and differential connections for TDT testing, using a PicoSource pulse generator with SRD outputs

### TDT and crosstalk



Single-ended and differential connections for simultaneous TDT and crosstalk assessment, using a PicoSource pulse generator with SRD outputs

### Diagram key

- Single-ended connection
- - - - Differential connection
- ⏏ Positive TD pulse head
- ⏏ Negative TD pulse head
- ⏏ 20 dB attenuator (TA173)\*
- ⏏ Power divider kit (TA238)\*
- ⏏ Terminated load, TDR kit (TA237)\*

\* Additional accessories and kits are available from Pico Technology Ltd. For ordering information, see the product data sheet or visit [www.picotech.com](http://www.picotech.com).

## 7. Free newsletter

Pico Technology sends out a free monthly newsletter by email. This gives news of product launches, software upgrades and application notes, as well as hints and advice. We treat your e-mail address and other details as confidential and will not pass them to any third party. To subscribe, visit:

**[www.picotech.com/newsletter](http://www.picotech.com/newsletter)**

## 8. Software updates and replacement

The latest versions of all Pico software and manuals can be downloaded free of charge at:

**[www.picotech.com/downloads](http://www.picotech.com/downloads)**

If you require a new software disk, please contact Pico Technology or your distributor. There may be a small charge for this service.

## 9. User's guides

All *User's Guides* are available on the software disc, or can be downloaded from:

**[www.picotech.com/downloads](http://www.picotech.com/downloads)**

## 10. Specifications

The *User's Guide* and *Data Sheet* contain the latest specifications for your PicoSource pulse generator.

## 11. Technical support

Regularly updated technical support information can be found in the Pico Technology support forum here:

**[www.picotech.com/tech-support](http://www.picotech.com/tech-support)**

## 12. Warranty and returns

These PicoSource pulse generators are supplied with a 2 year return-to-manufacturer warranty. For full terms and conditions, see the product *User's Guide*.

**UK headquarters:**

**Pico Technology  
James House  
Colmworth Business Park  
St. Neots  
Cambridgeshire  
PE19 8YP  
United Kingdom**



**+44 (0) 1480 396 395**



**+44 (0) 1480 396 296**



**sales@picotech.com**

**US headquarters:**

**Pico Technology  
320 N Glenwood Blvd  
Tyler  
Texas 75702  
United States**



**+1 800 591 2796**



**+1 620 272 0981**



**sales@picotech.com**

*Pico Technology, PicoScope and PicoSource* are internationally registered trade marks of Pico Technology Ltd. *Windows* is a registered trade mark of Microsoft Corporation in the United States and other countries.

Copyright © 2016 Pico Technology Ltd. All rights reserved.

DO252-1

**www.picotech.com**

