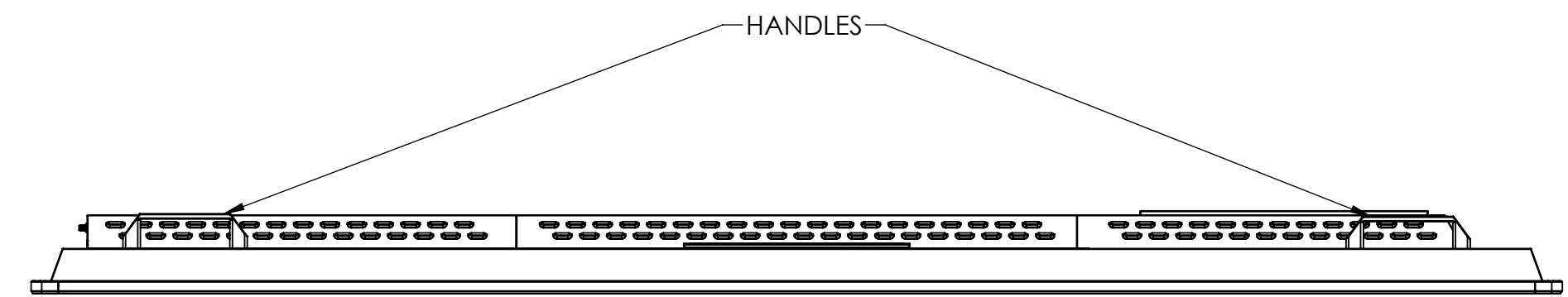
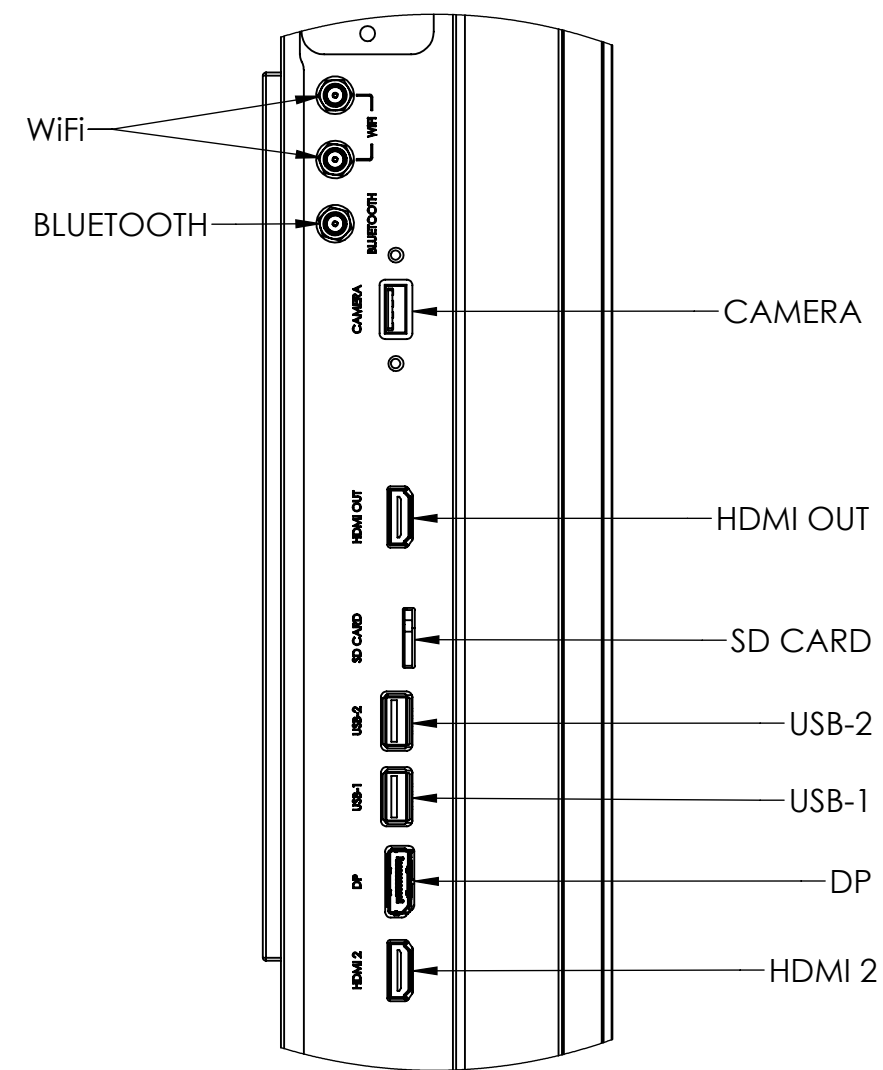
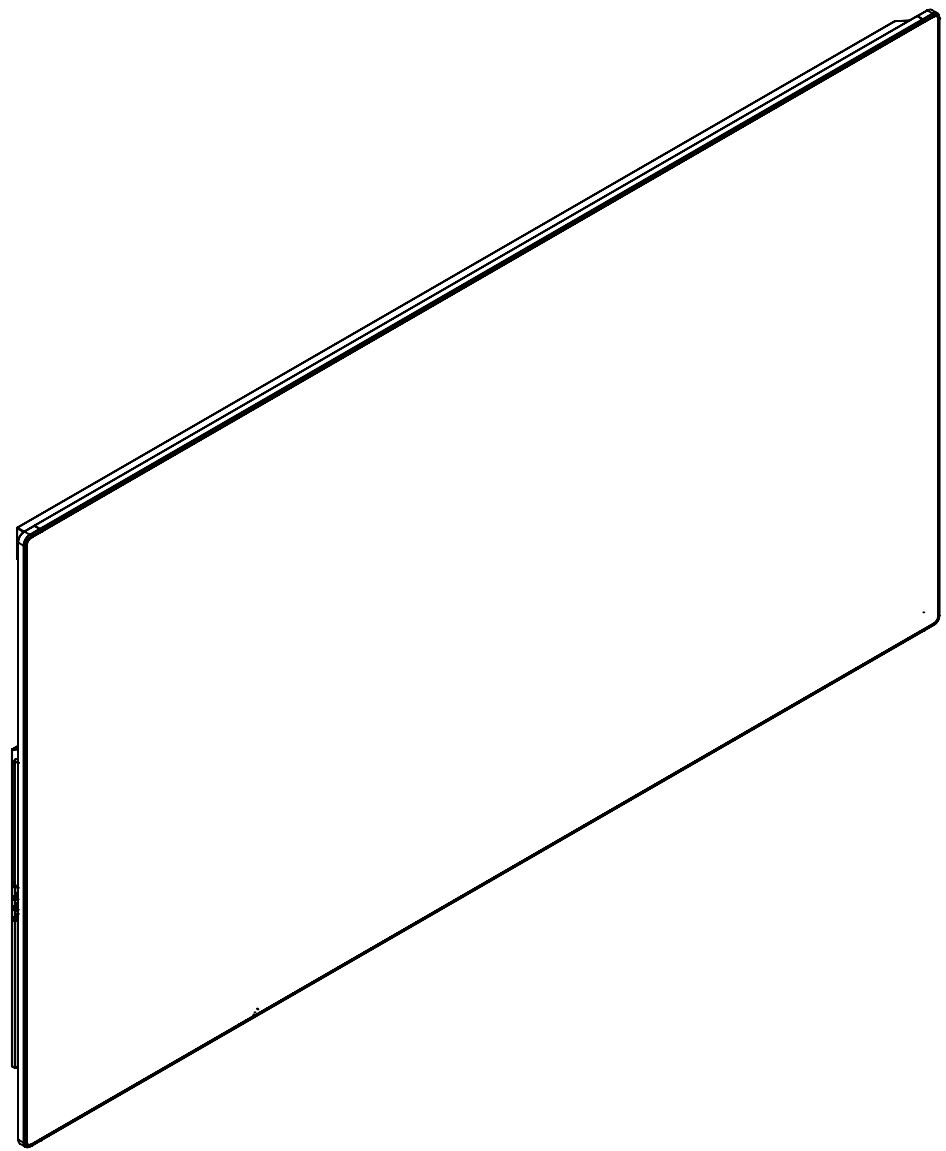
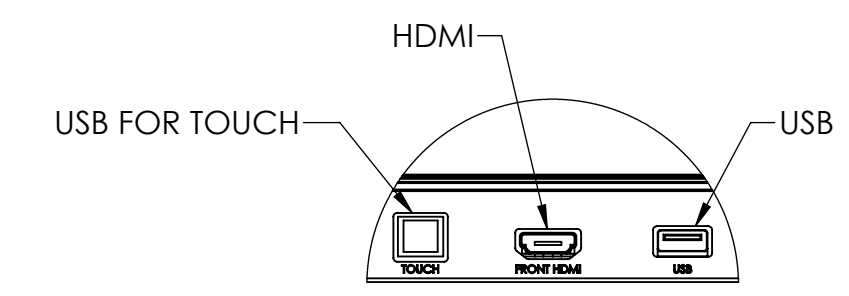
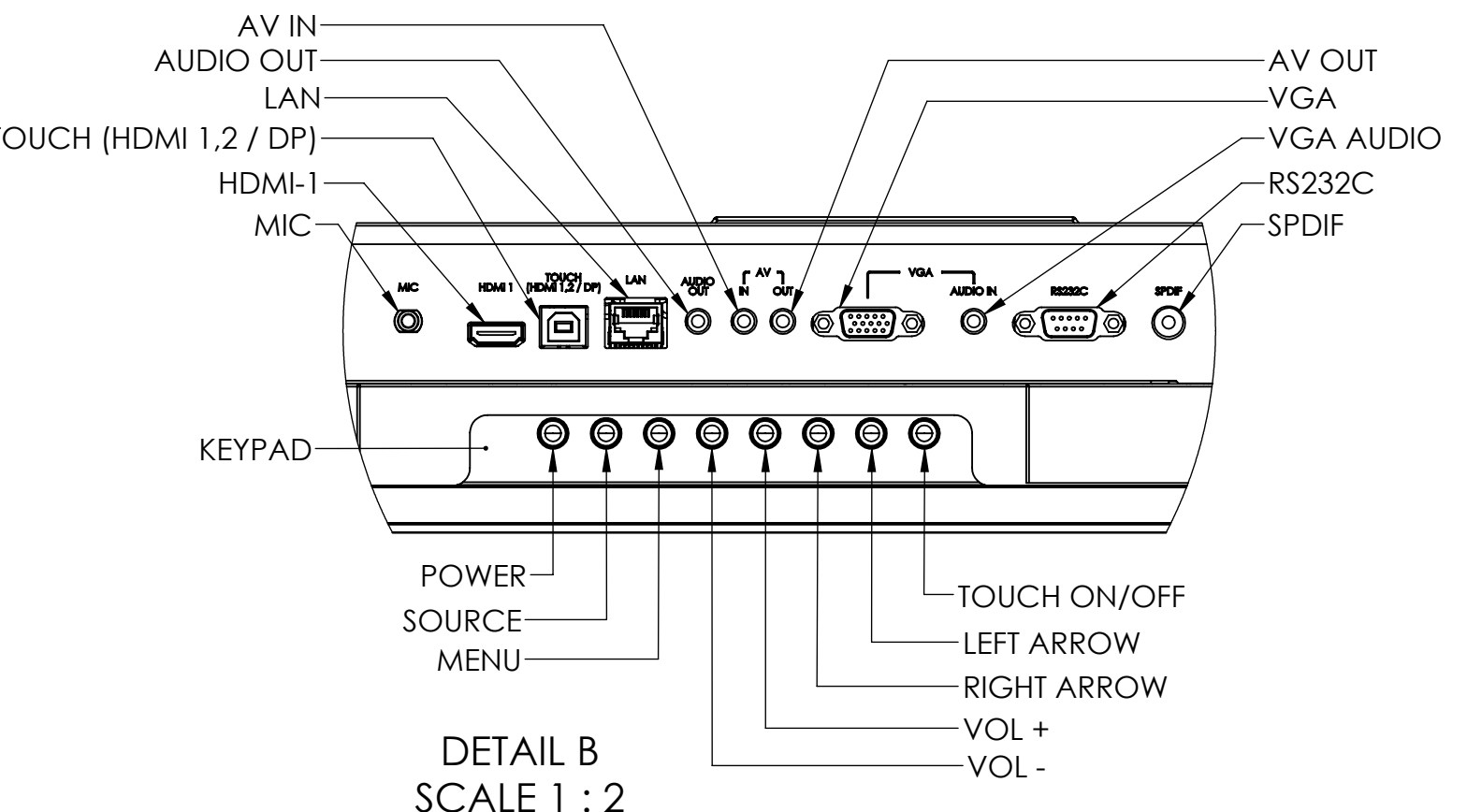
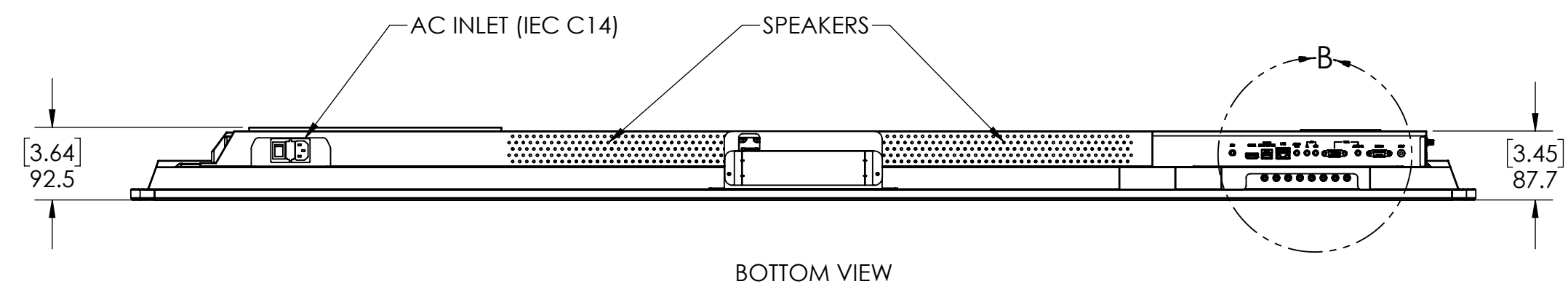
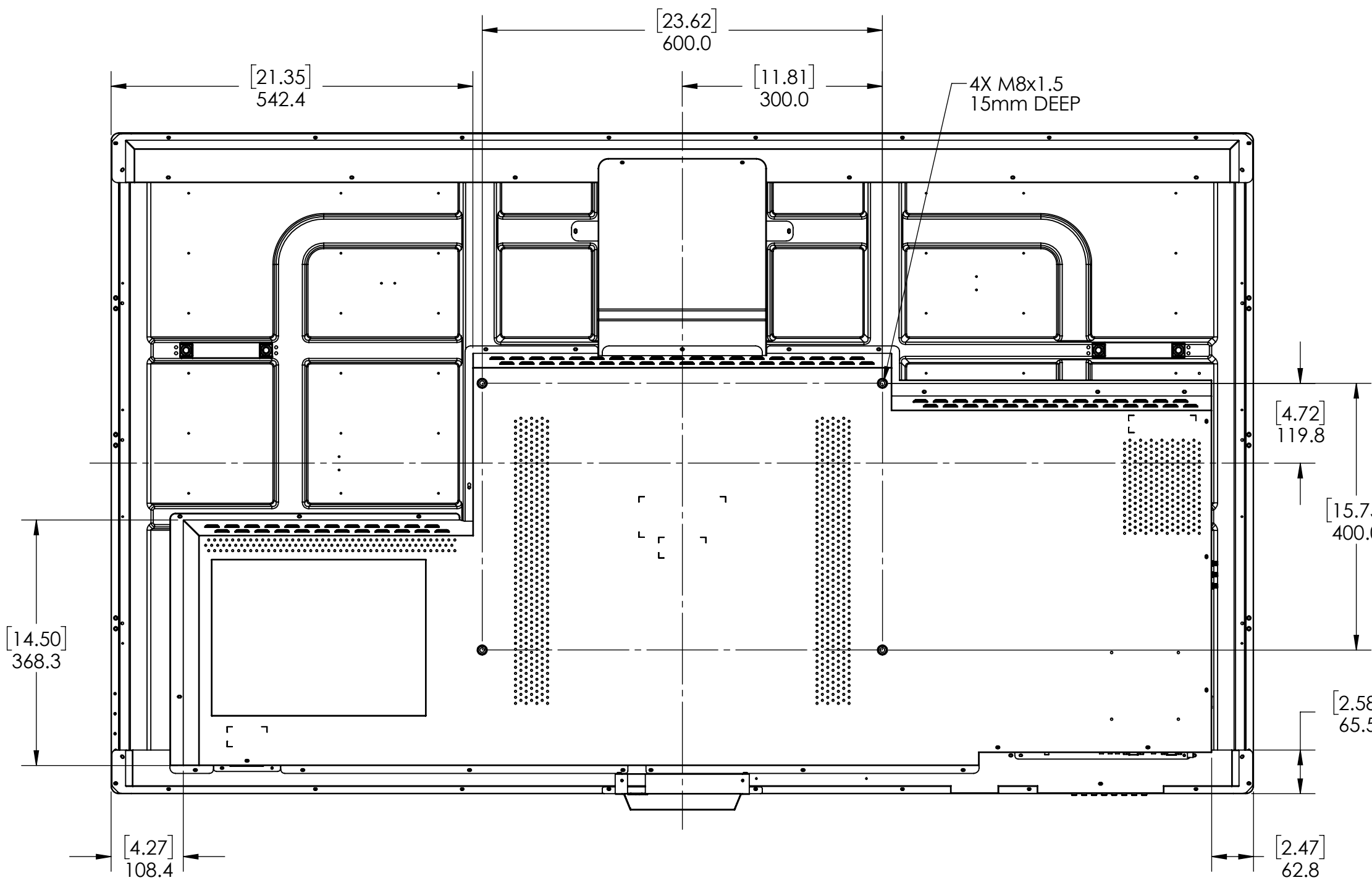
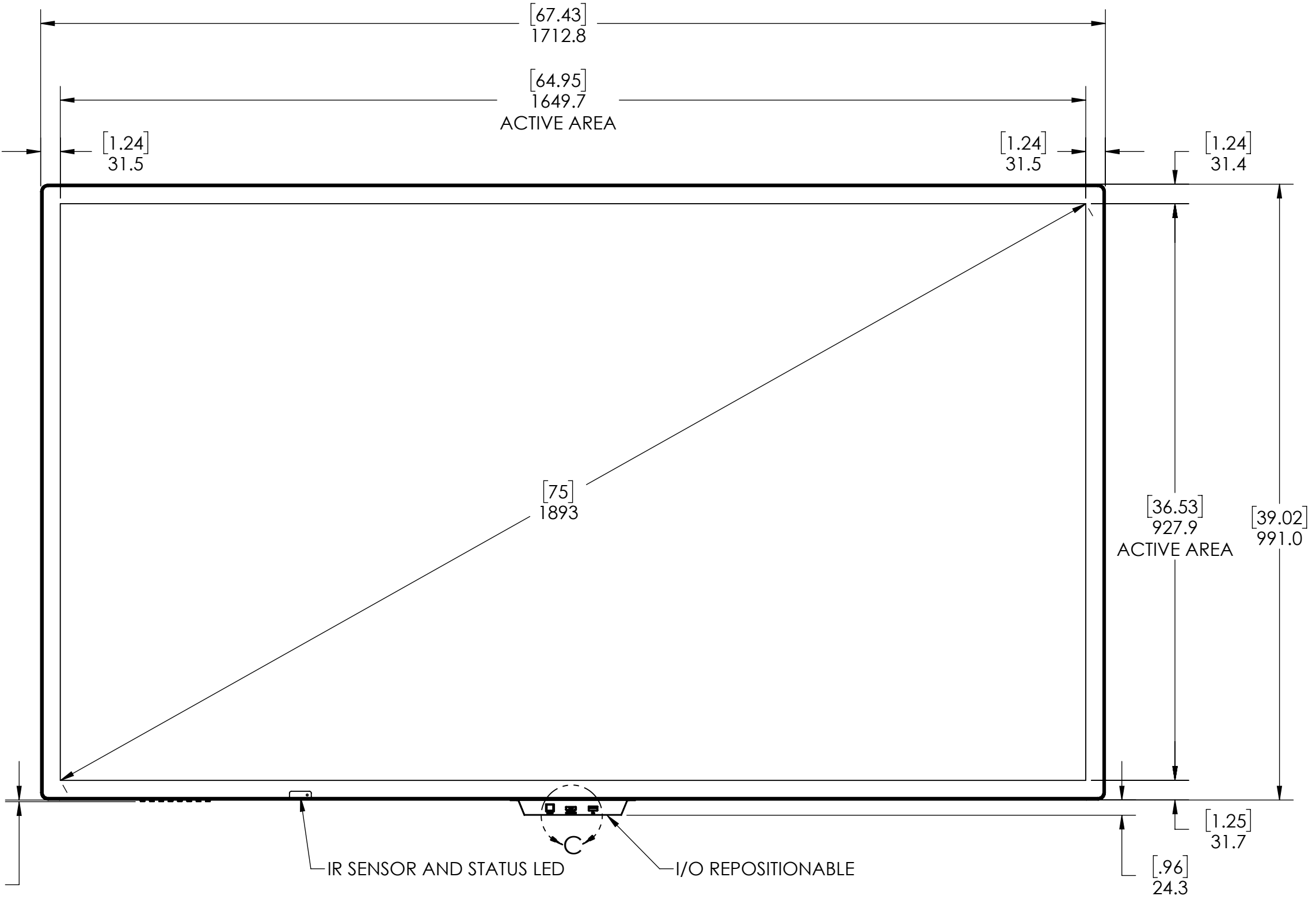
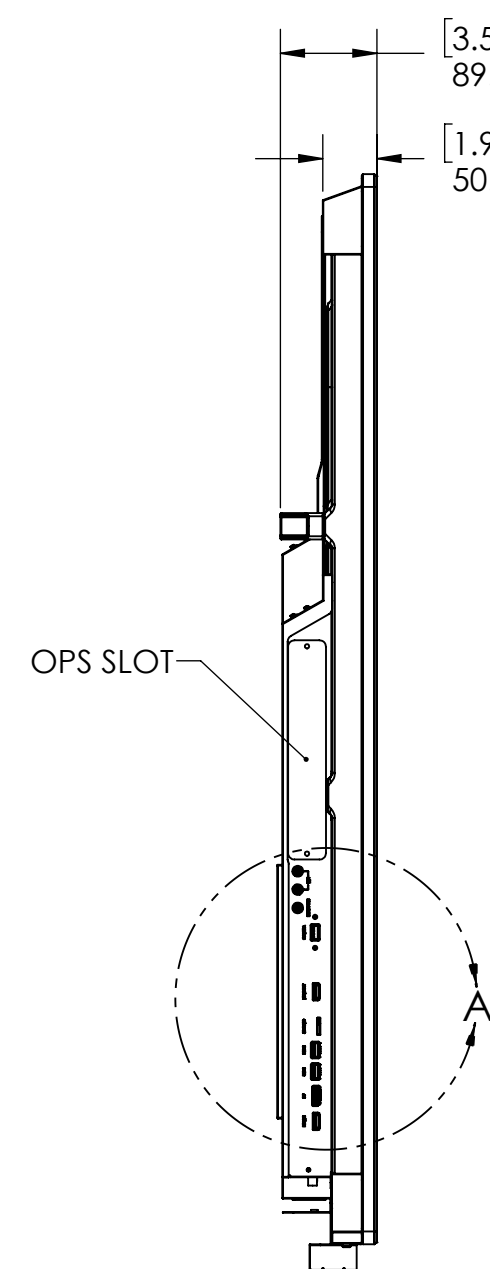


REVISION HISTORY					
ECO	ZONE	REV.	DESCRIPTION	DATE	APPR'D



DETAIL A
SCALE 1 : 2



DETAIL C
SCALE 1 : 2

- 5mm (3/16") SPACERS MAY BE REQUIRED TO AVOID BUMPOUT WHEN USING VESA MOUNTS.
 - KEEP PERFORATION AREAS CLEAR FOR VENTILATION.
 - USE PHILLIPS #2 SCREW DRIVER TO REMOVE AND REPOSITION BOTTOM I/O BOX BEHIND UNIT.
 - SPECIFICATIONS SUBJECT TO CHANGE WITHOUT NOTICE.
- NOTES: UNLESS OTHERWISE SPECIFIED.

UNLESS OTHERWISE SPECIFIED: DIMENSIONS ARE IN MILLIMETERS (INCHES)		ENGR BY	PLANAR SYSTEMS, INC. 1195 NE COMPTON DRIVE HILLSBORO, OR 97006 USA	
TOLERANCES:		DRAWN BY	TITLE	
X= ±1	XX= ±25	CHECKED BY	HB75 998-2158-00	
X= ±5	∠= ±1°	USED ON	SIZE	PART NO.
DIMENSIONING AND TOLERANCING PER ASME Y14.5M-1994		MATERIAL	D	-
THIRD ANGLE PROJECTION		FINISH	OR PLANAR APPROVD EQUIV. ROHS COMPLIANT.	DRAWING NO.
				HB75 OUTLINE
			SCALE	REV
			1:7	A
			DO NOT SCALE	SHEET
				1 OF 1

THIS DRAWING CONTAINS INFORMATION PROPRIETARY TO PLANAR SYSTEMS, INC. ANY REPRODUCTION IN PART OR WHOLE WITHOUT THE WRITTEN PERMISSION OF PLANAR SYSTEMS IS PROHIBITED. THIS DRAWING IS SUPPLIED FOR INFORMATION, IDENTIFICATION, ENGINEERING, EVALUATION, AND/OR INSPECTION PURPOSES ONLY AND MAY NOT BE USED AS BASIS FOR THE MANUFACTURING OF PRODUCTS OR THE FURNISHING OF SERVICES TO PLANAR SYSTEMS OR TO ANY THIRD PARTY UNLESS AUTHORIZED IN WRITING BY PLANAR SYSTEMS.