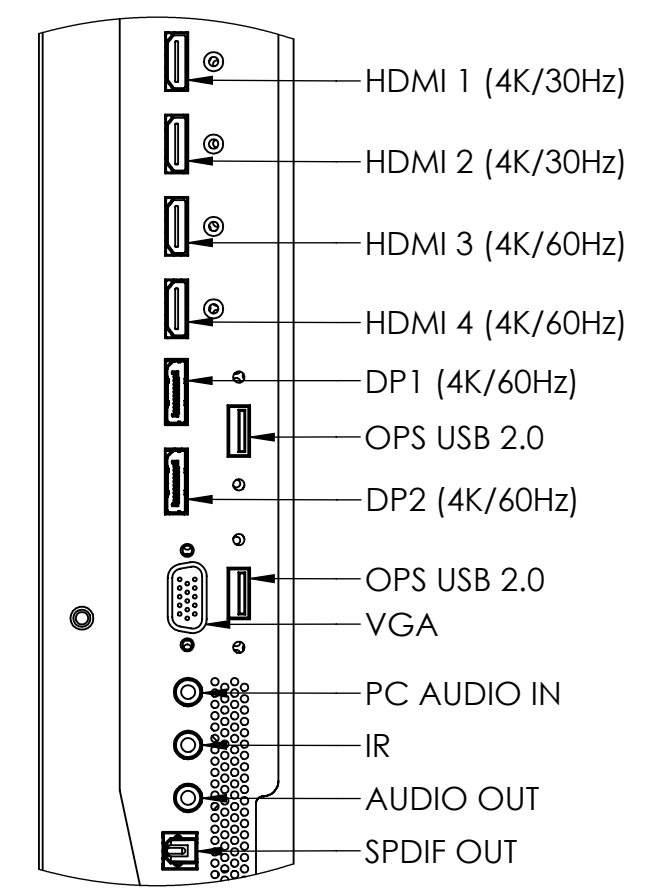
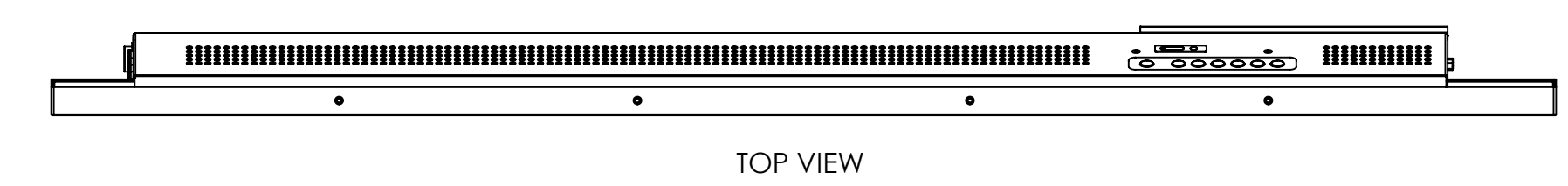
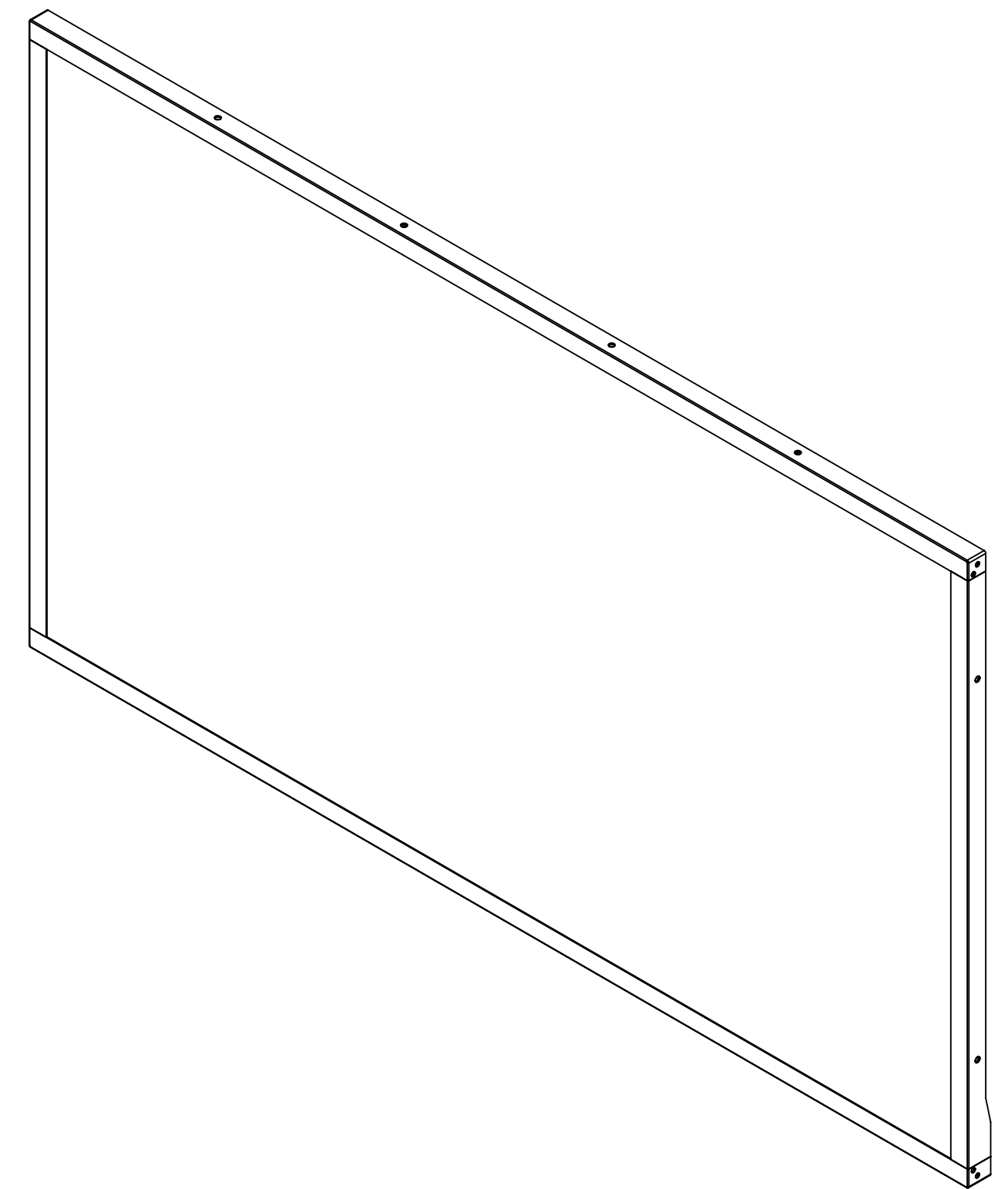


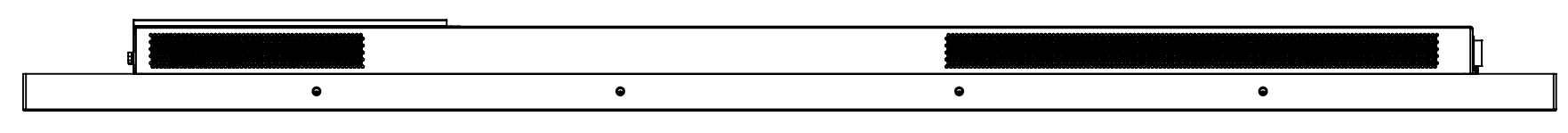
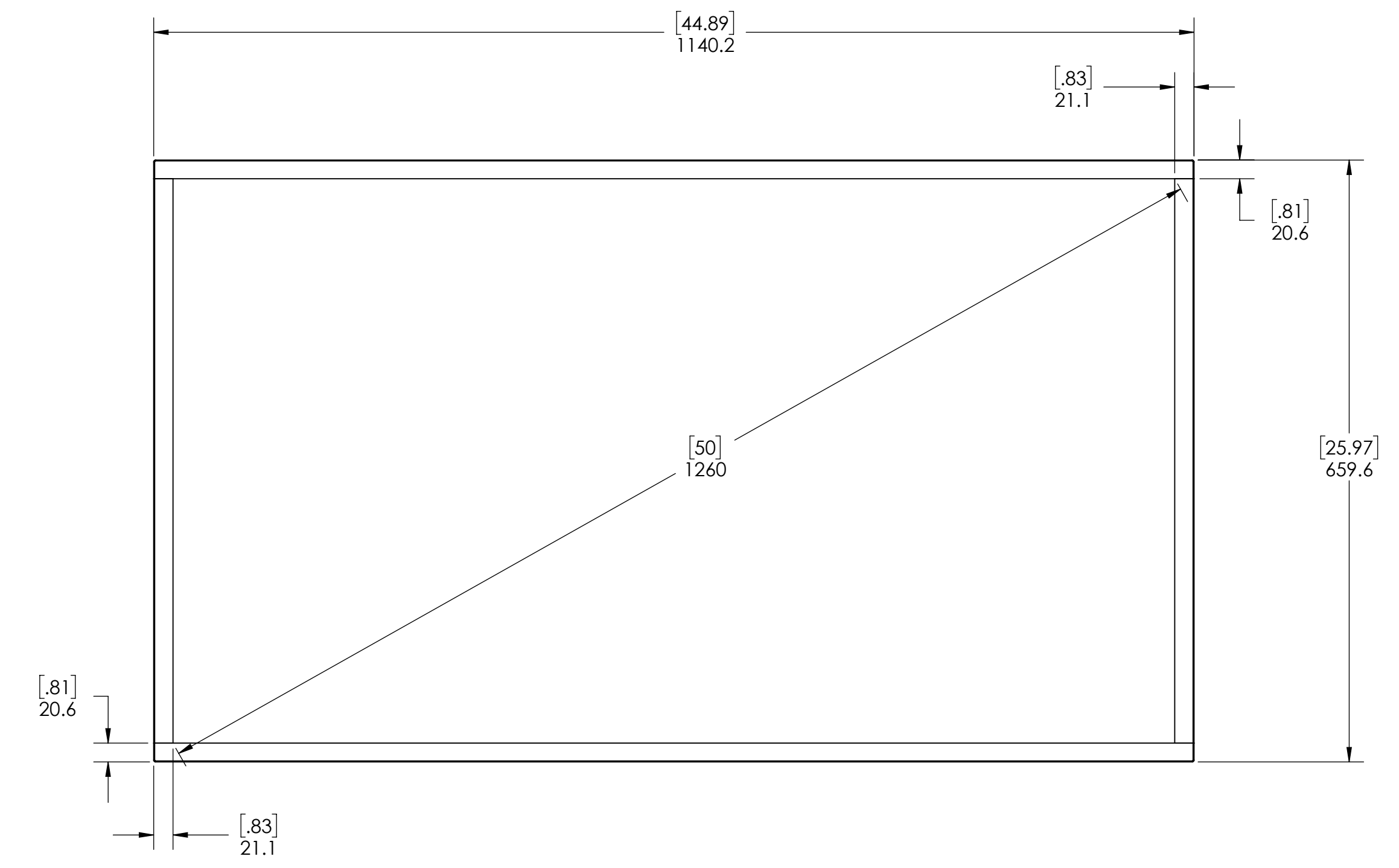
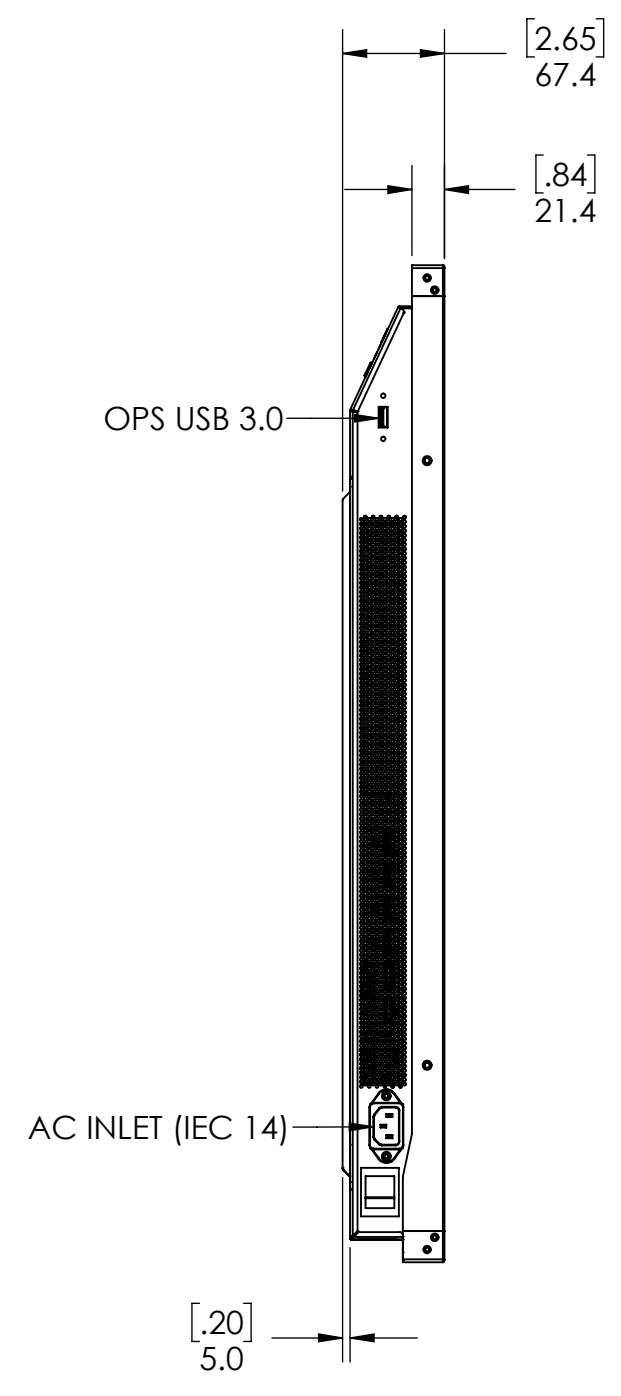
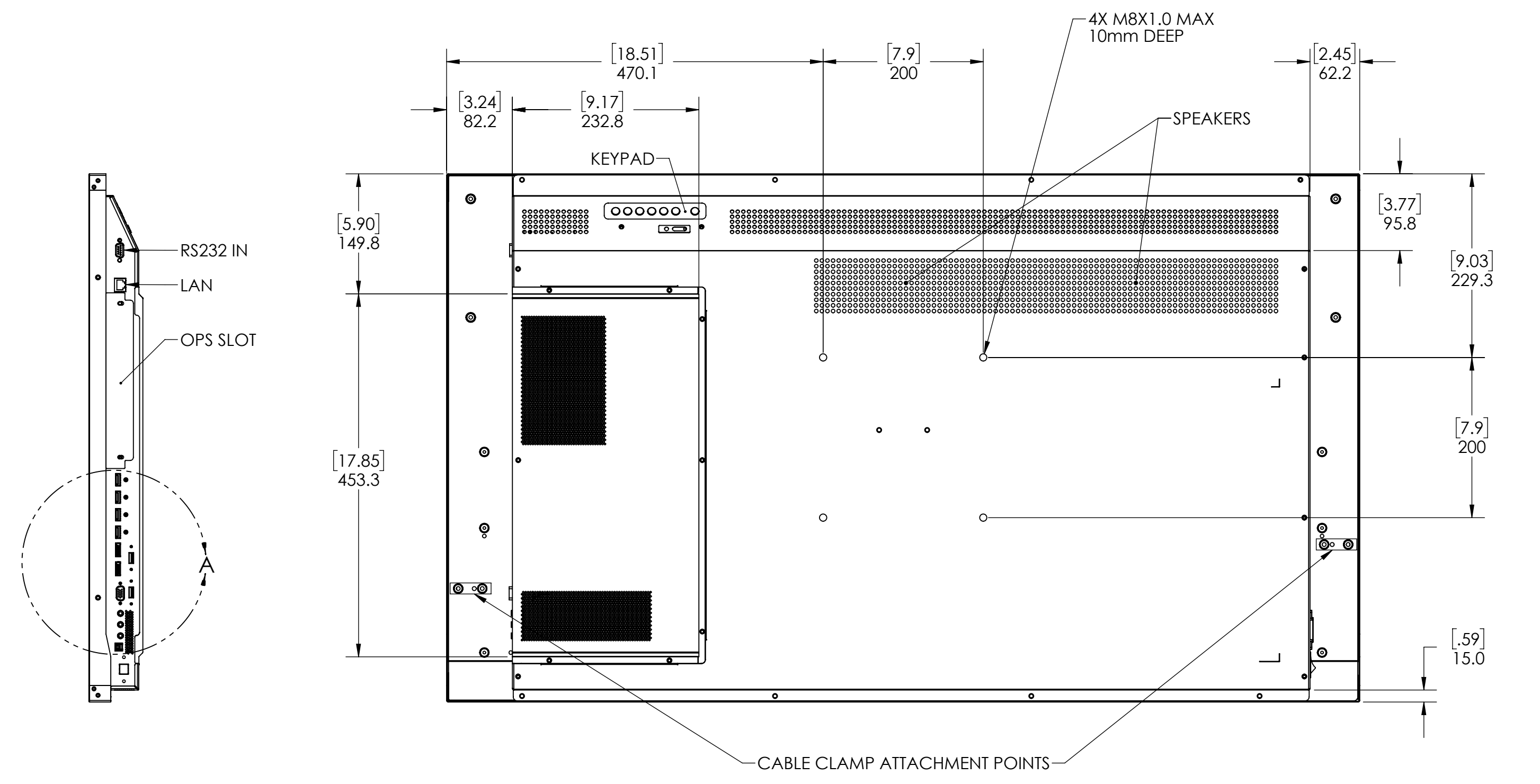
REVISION HISTORY					
ECO	ZONE	REV.	DESCRIPTION	DATE	APPR'D



DETAIL A
SCALE 1 : 2



TOP VIEW



BOTTOM VIEW

- KEEP PERFORATION AREAS CLEAR FOR VENTILATION.
 - SPECIFICATIONS SUBJECT TO CHANGE WITHOUT NOTICE.
- NOTES: UNLESS OTHERWISE SPECIFIED.

UNLESS OTHERWISE SPECIFIED: DIMENSIONS ARE IN MILLIMETERS [INCHES]		ENGR BY			
TOLERANCES:		DRAWN BY	MRW	01FEB18	
X= ±1	XX= ±.25	CHECKED BY			
.X= ±.5	∠= ±1°	USED ON			
DIMENSIONING AND TOLERANCING PER ASME Y14.5M-1994		MATERIAL			
THIRD ANGLE PROJECTION		FINISH			
		TITLE	EP5024K		
SIZE	PART NO.	DRAWING NO.	REV		
D	-	EP5024K OUTLINE	A		
SCALE	1:5	DO NOT SCALE	SHEET	1 OF 1	

THIS DRAWING CONTAINS INFORMATION PROPRIETARY TO PLANAR SYSTEMS, INC. ANY REPRODUCTION IN PART OR WHOLE WITHOUT THE WRITTEN PERMISSION OF PLANAR SYSTEMS IS PROHIBITED. THIS DRAWING IS SUPPLIED FOR INFORMATION, IDENTIFICATION, ENGINEERING EVALUATION, AND/OR INSPECTION PURPOSES ONLY AND MAY NOT BE USED AS BASIS FOR THE MANUFACTURING OF PRODUCTS OR THE FURNISHING OF SERVICES TO PLANAR SYSTEMS OR TO ANY THIRD PARTY UNLESS AUTHORIZED IN WRITING BY PLANAR SYSTEMS.