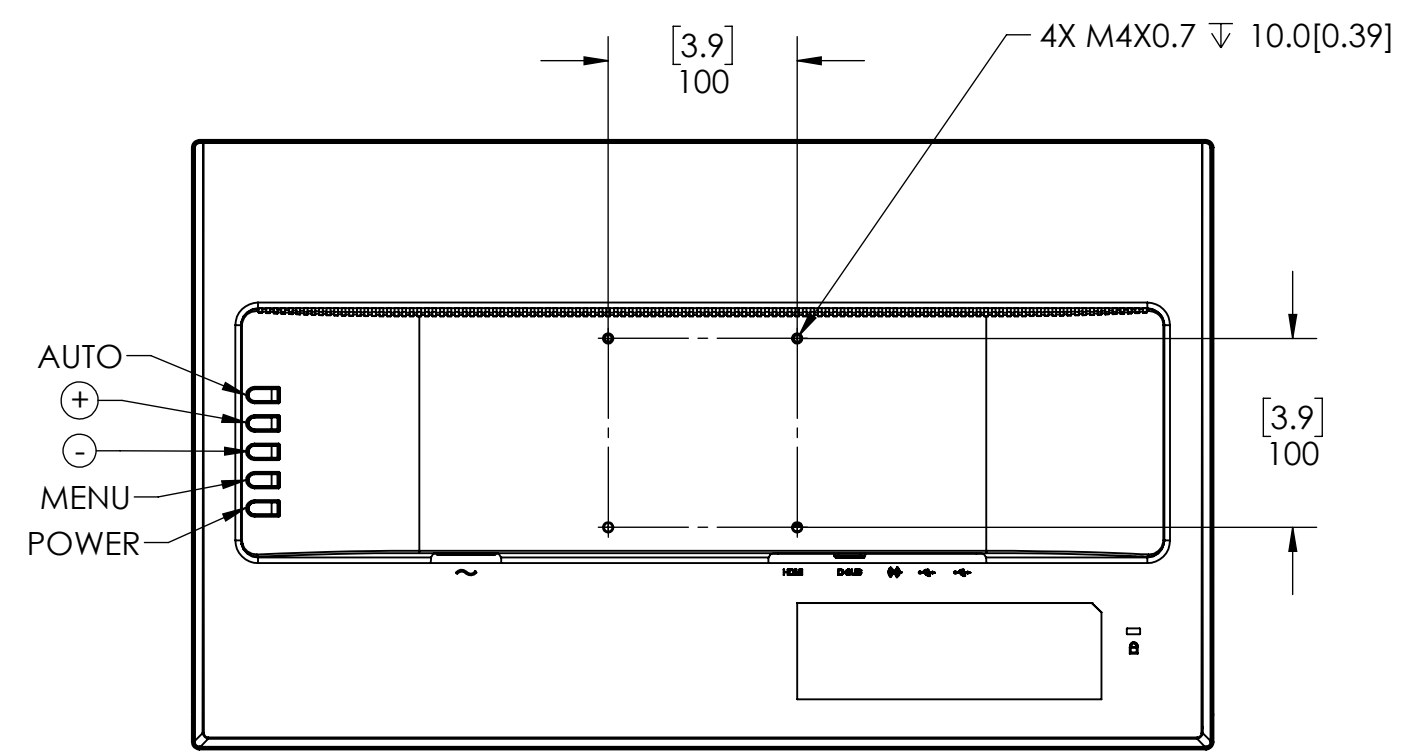
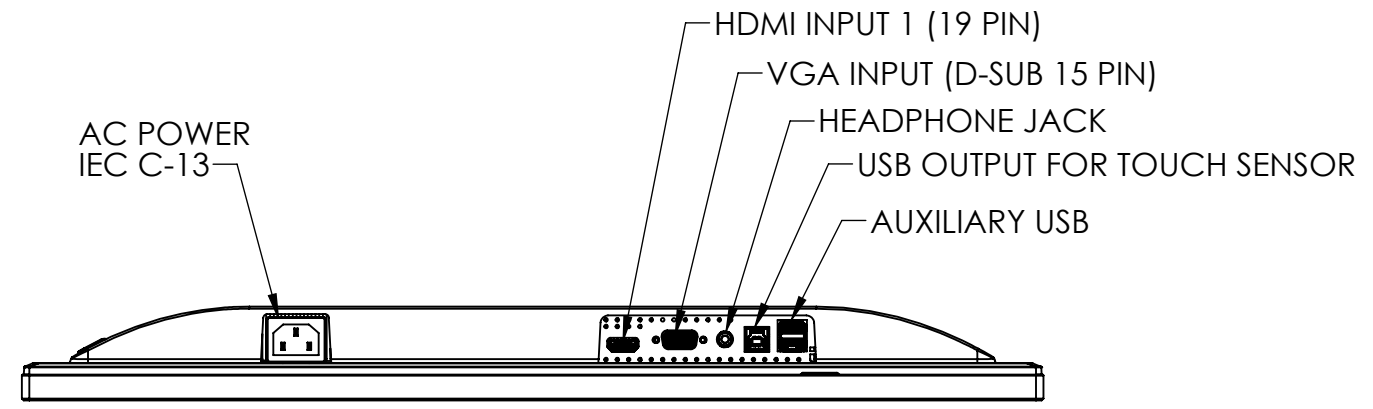
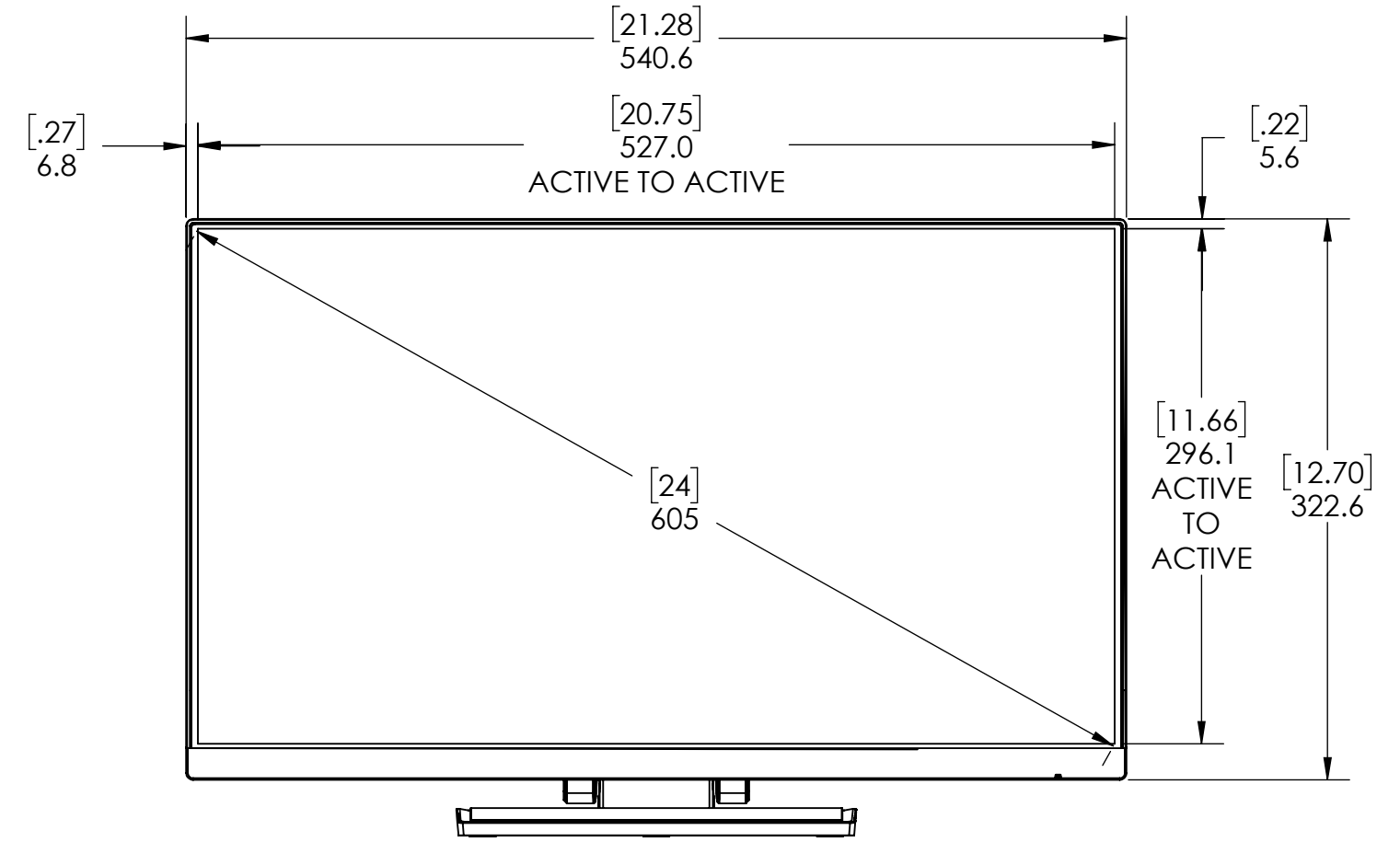
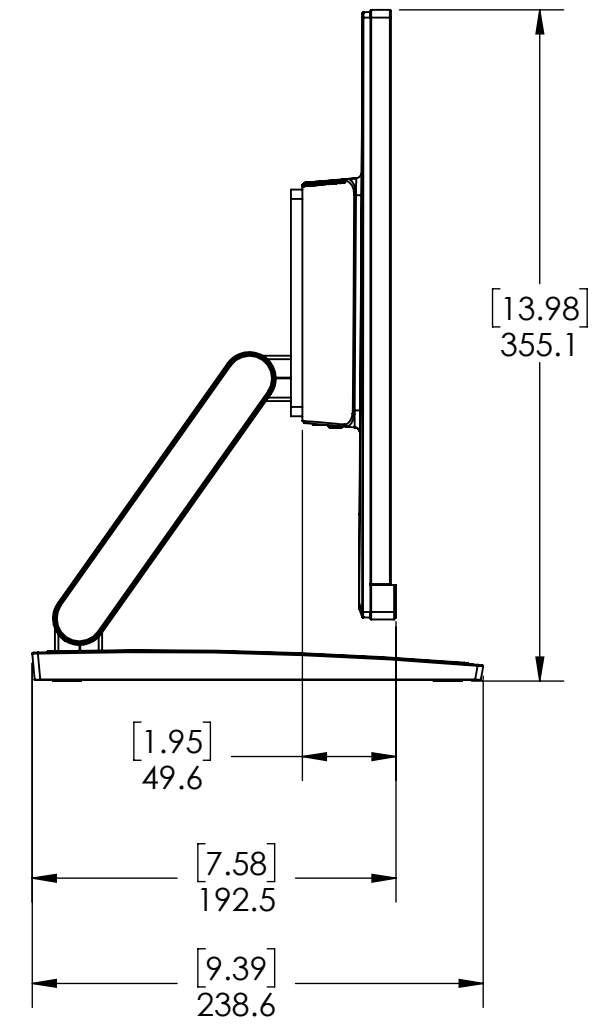


REVISION HISTORY					
ECO	ZONE	REV.	DESCRIPTION	DATE	APPR'D



BACKSIDE
STAND REMOVED FOR CLARITY



STAND REMOVED FOR CLARITY

1. SPECIFICATIONS SUBJECT TO CHANGE WITHOUT NOTICE
NOTES: UNLESS OTHERWISE SPECIFIED.

THIS DRAWING CONTAINS INFORMATION PROPRIETARY TO PLANAR SYSTEMS, INC.. ANY REPRODUCTION IN PART OR WHOLE WITHOUT THE WRITTEN PERMISSION OF PLANAR SYSTEMS IS PROHIBITED. THIS DRAWING IS SUPPLIED FOR INFORMATION, IDENTIFICATION, ENGINEERING, EVALUATION, AND/OR INSPECTION PURPOSES ONLY AND MAY NOT BE USED AS BASIS FOR THE MANUFACTURING OF PRODUCTS OR THE FURNISHING OF SERVICES TO PLANAR SYSTEMS OR TO ANY THIRD PARTY UNLESS AUTHORIZED IN WRITING BY PLANAR SYSTEMS.

UNLESS OTHERWISE SPECIFIED DIMENSIONS ARE IN MILLIMETERS [INCHES].		ENGR BY MAZ	28 Dec 17		PLANAR SYSTEMS, INC. 1195 NW COMPTON DRIVE BEAVERTON, OR 97006 USA
TOLERANCES:		DRAWN BY			
X = ±1	.XX = ±.25	CHECKED BY		TITLE PCT2435	
.X = ±.5	∠ = ±1°	USED ON		SIZE C	PART NO. 997-9363-00
DIMENSIONING AND TOLERANCING PER ASME Y14.5M-1994		MATERIAL		DRAWING NO. 997-9363-00	REV A
THIRD ANGLE PROJECTION		FINISH		SCALE 1:4	DO NOT SCALE
				SHEET 1 OF 1	