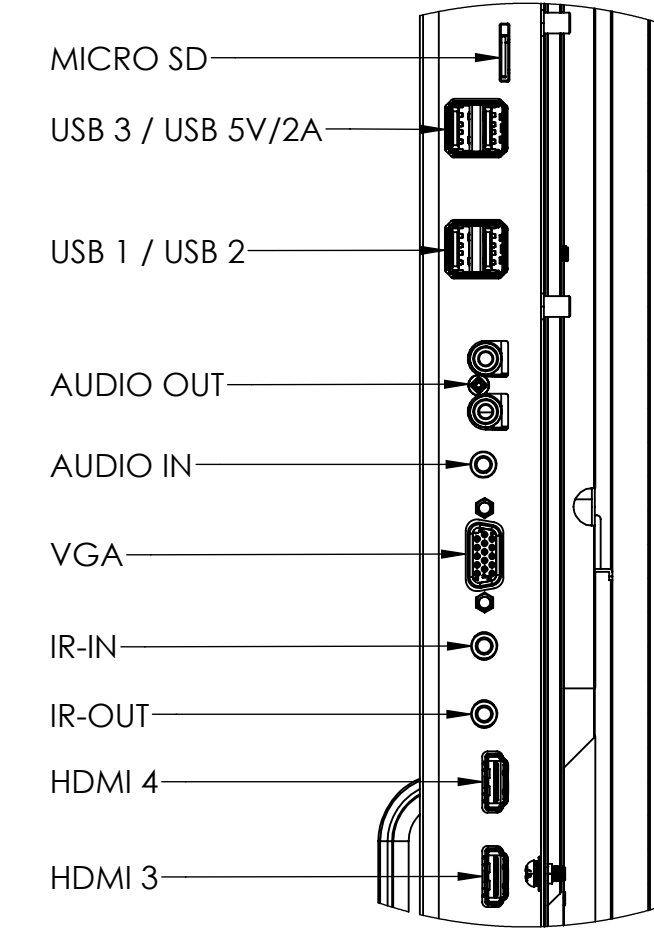
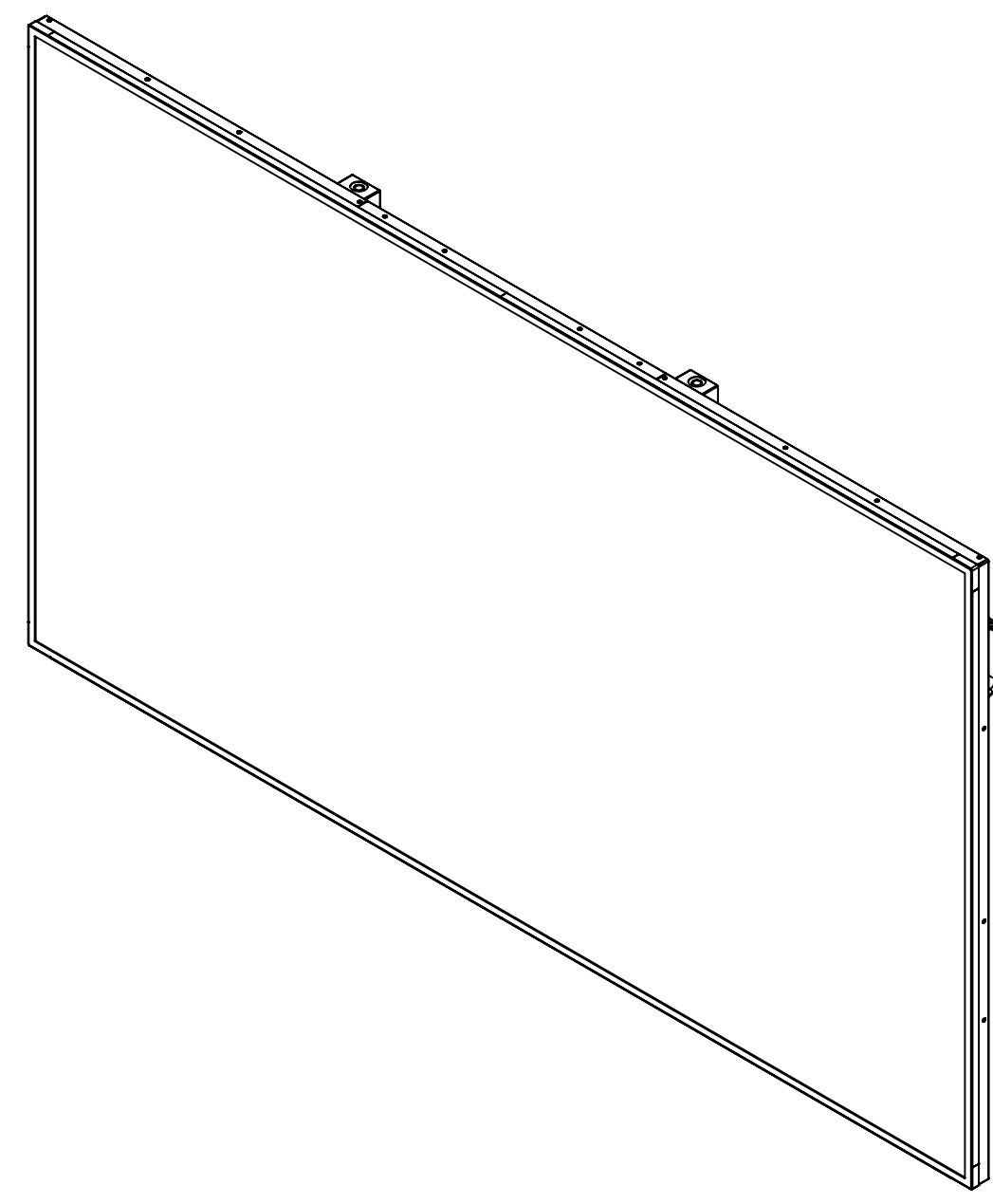
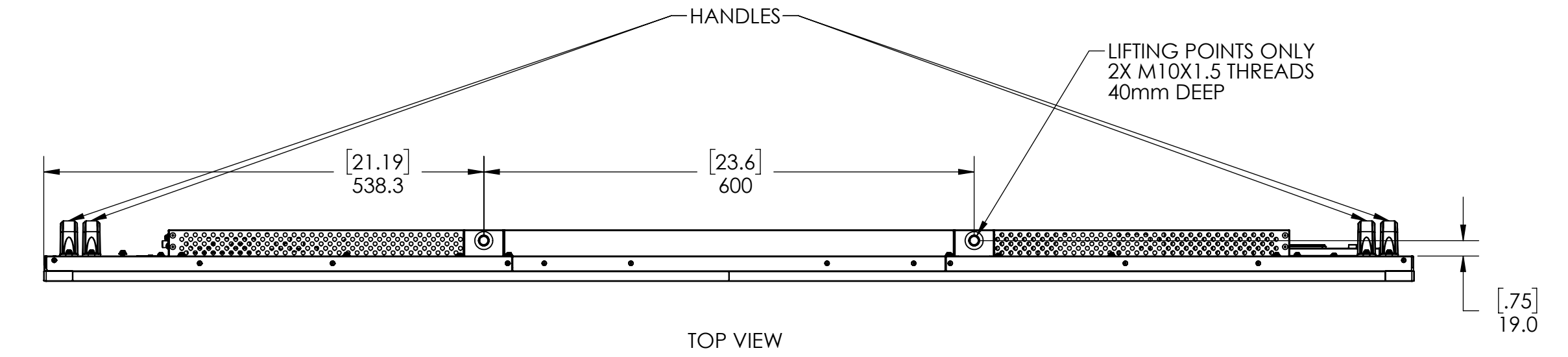


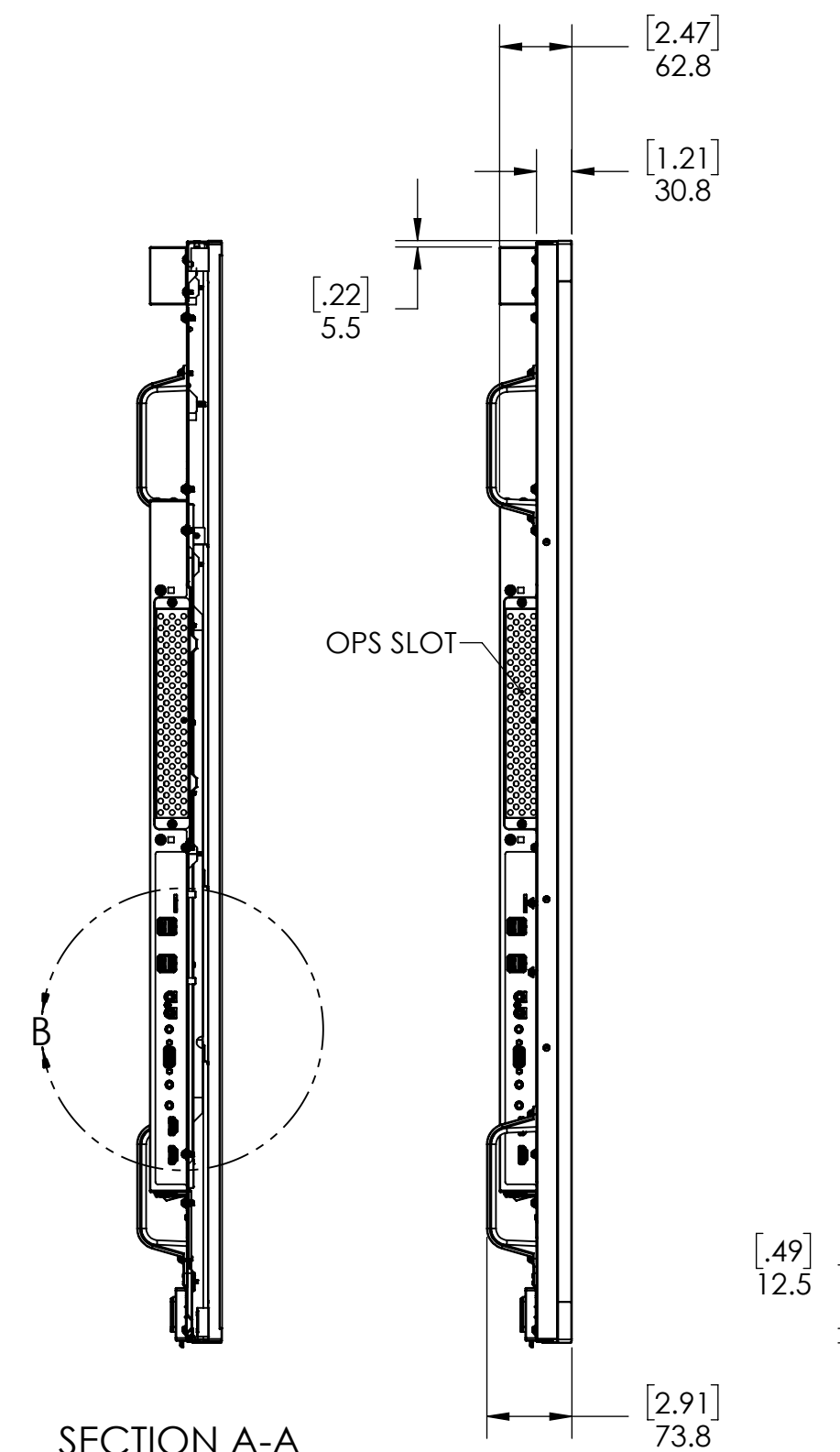
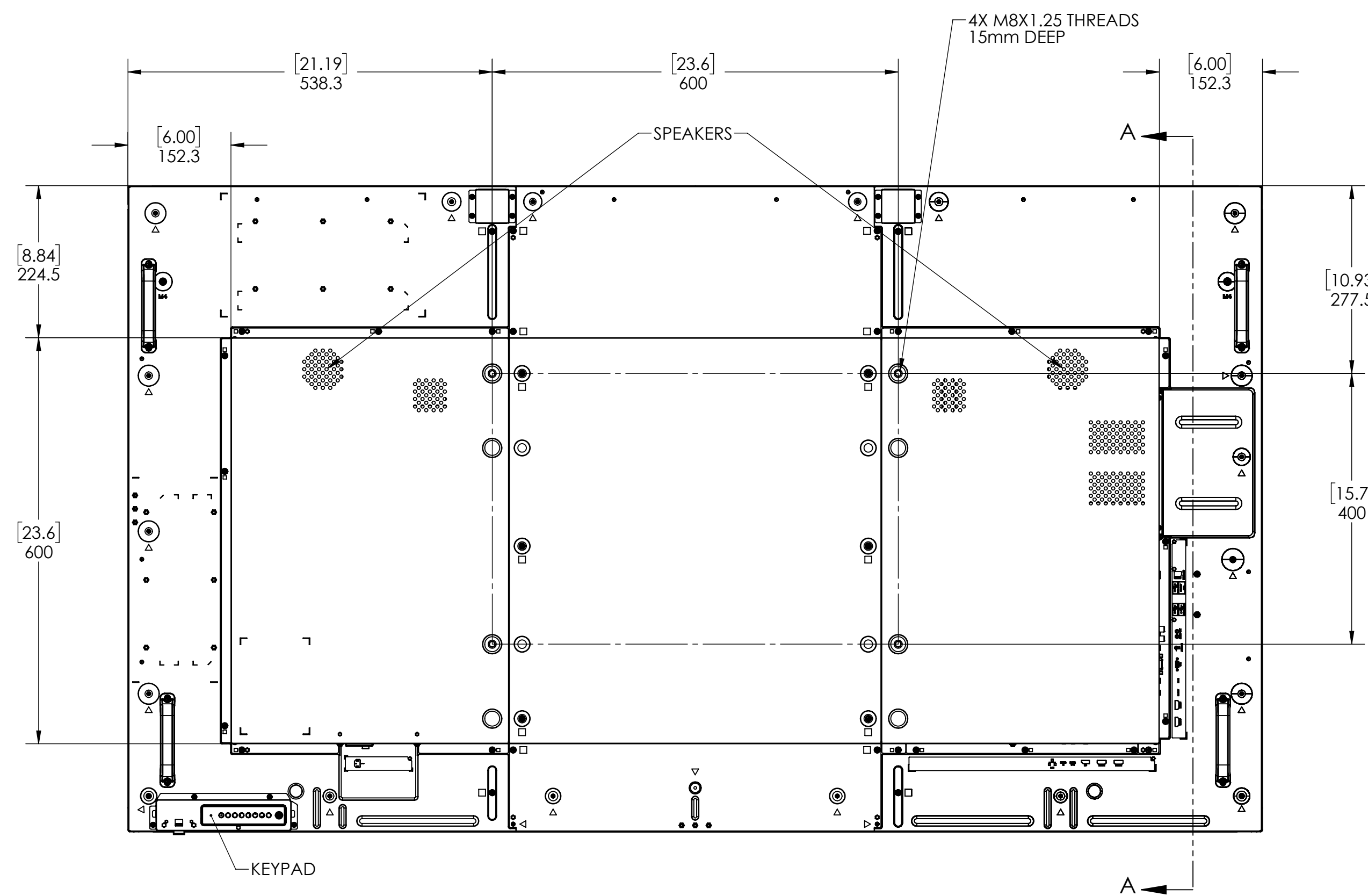
REVISION HISTORY					
ECO	ZONE	REV.	DESCRIPTION	DATE	APPR'D



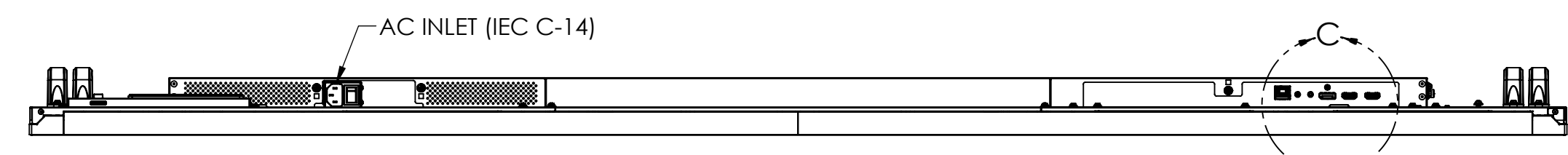
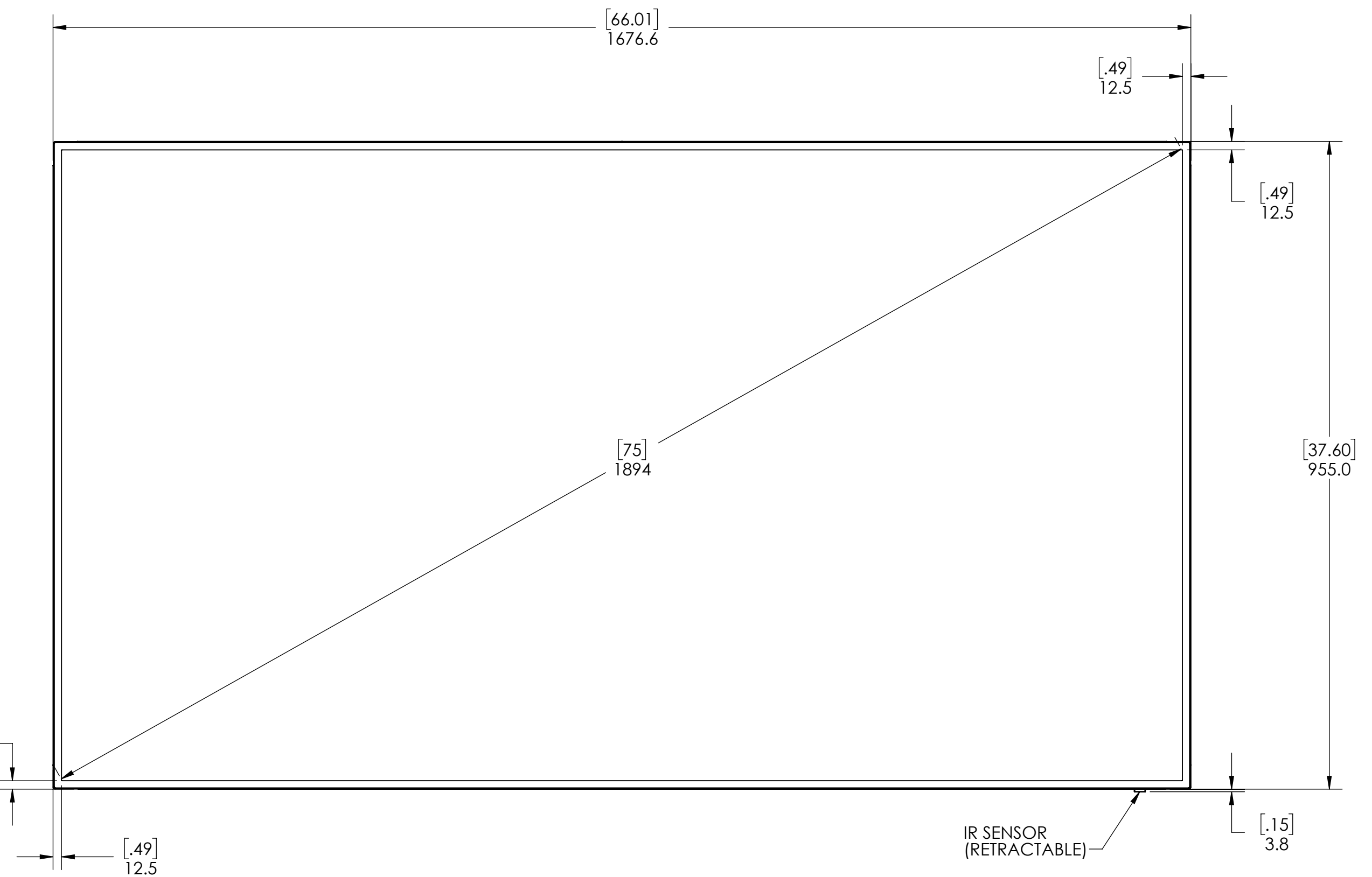
DETAIL B
SCALE 1 : 2



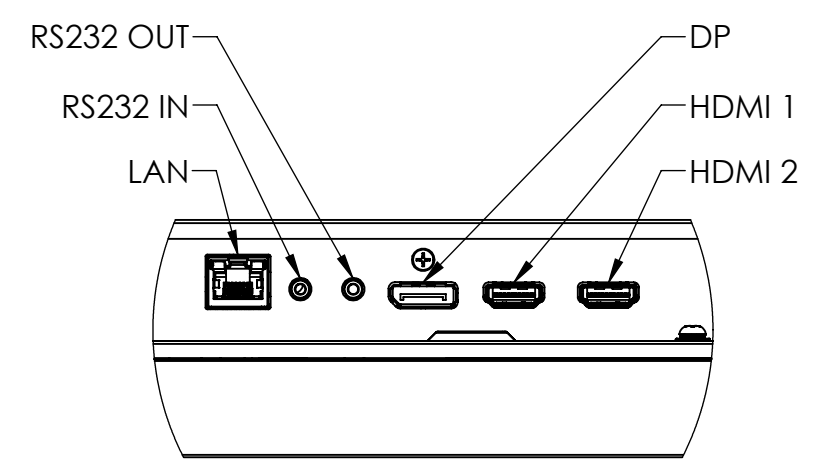
TOP VIEW



SECTION A-A



BOTTOM VIEW



DETAIL C
SCALE 1 : 2

2. KEEP PERFORMANCE AREAS CLEAR FOR VENTILATION.
1. SPECIFICATIONS SUBJECT TO CHANGE WITHOUT NOTICE.
NOTES: UNLESS OTHERWISE SPECIFIED.

UNLESS OTHERWISE SPECIFIED DIMENSIONS ARE IN MILLIMETERS (INCHES)		ENGR BY	MRW	28FEB18	 PLANAR SYSTEMS, INC. 1195 NW COMPTON DRIVE BEAVERTON, OR 97006 USA
TOLERANCES:		DRAWN BY			
X= ±1	XX= ±.25	CHECKED BY			TITLE
.X= ±.5	∠= ±1°	USED ON			SL7564K 997-9407-00
DIMENSIONING AND TOLERANCING PER ASME Y14.5M-1994		MATERIAL			SIZE
THIRD ANGLE PROJECTION		FINISH			D
					PART NO
					-
					DRAWING NO
					SL7564K OUTLINE
					REV
					A
SCALE	1:6	DO NOT SCALE	SHEET	1 OF 1	

THIS DRAWING CONTAINS INFORMATION PROPRIETARY TO PLANAR SYSTEMS, INC. ANY REPRODUCTION IN PART OR WHOLE WITHOUT THE WRITTEN PERMISSION OF PLANAR SYSTEMS IS PROHIBITED. THIS DRAWING IS SUPPLIED FOR INFORMATION, IDENTIFICATION, ENGINEERING, EVALUATION, AND/OR INSPECTION PURPOSES ONLY AND MAY NOT BE USED AS BASIS FOR THE MANUFACTURING OF PRODUCTS OR THE FURNISHING OF SERVICES TO PLANAR SYSTEMS OR TO ANY THIRD PARTY UNLESS AUTHORIZED IN WRITING BY PLANAR SYSTEMS.