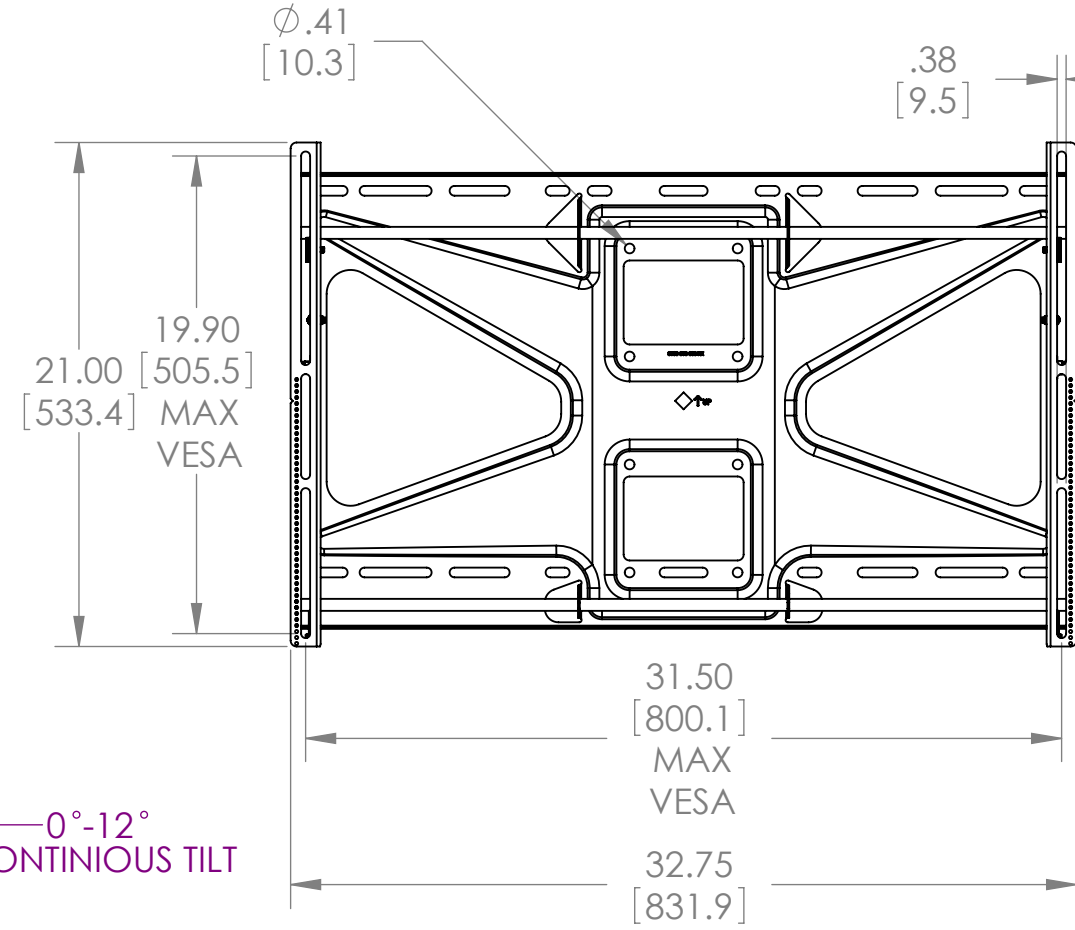
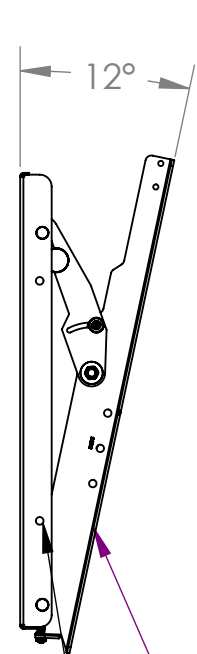
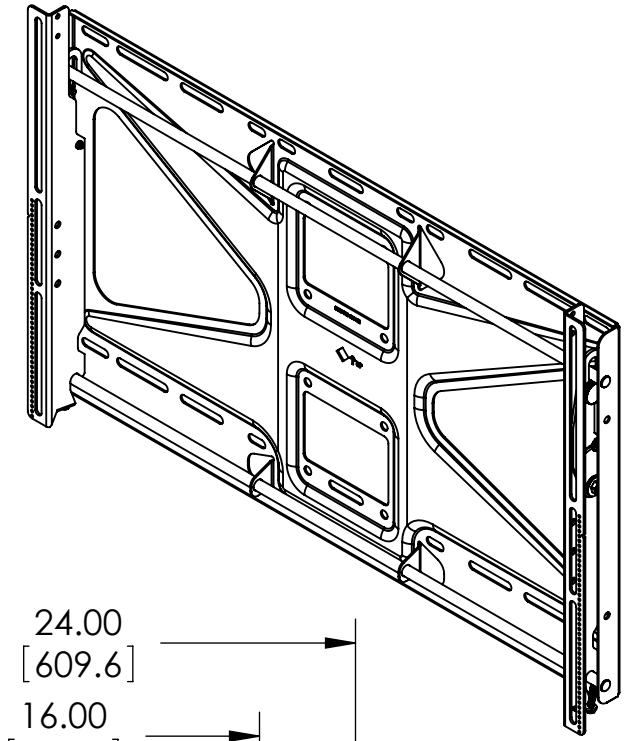
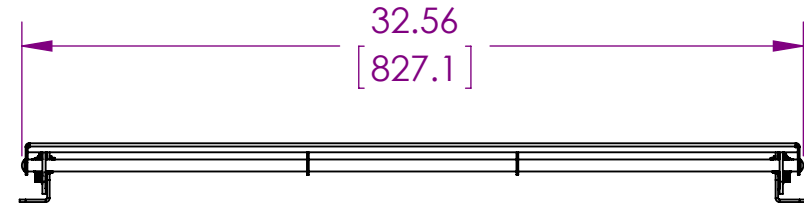
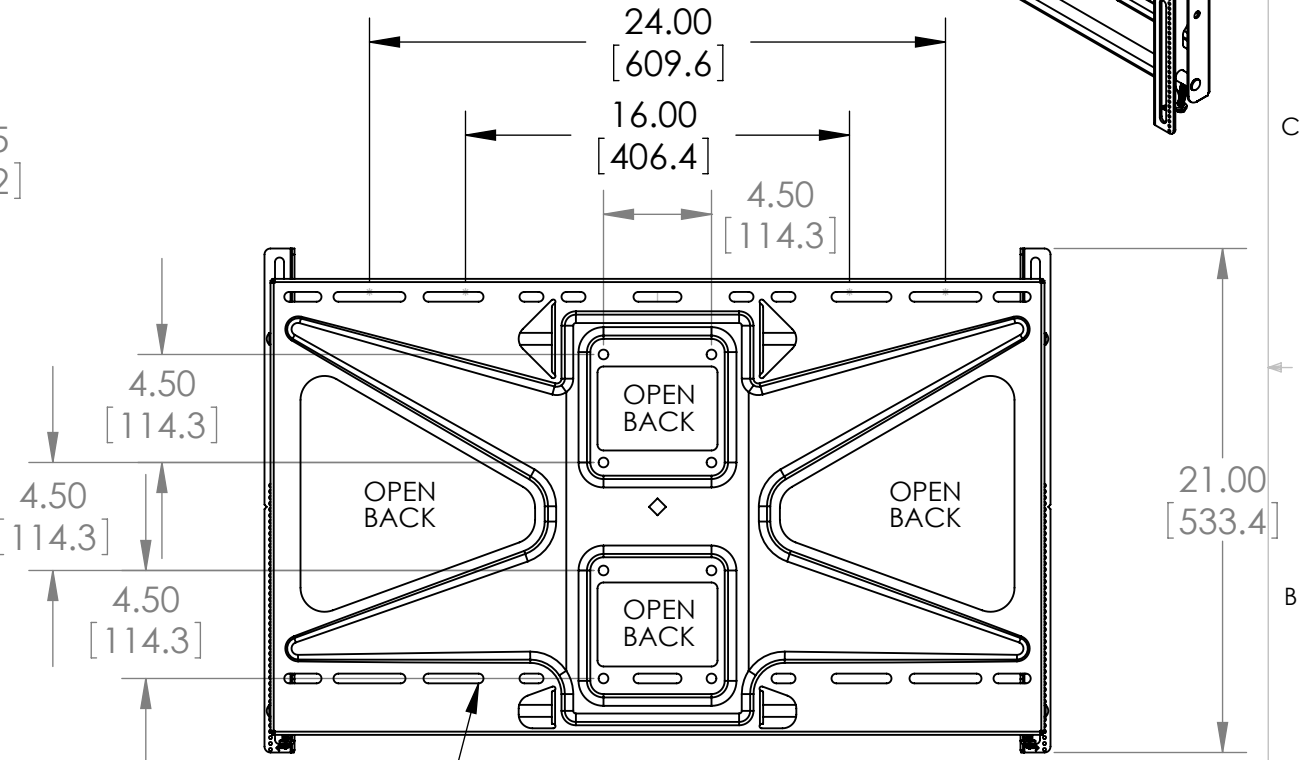


THE INFORMATION CONTAINED IN THIS DRAWING IS THE SOLE PROPERTY OF PREMIER MOUNTS DIVISION OF <PMPI> ANY REPRODUCTION IN PART OR WHOLE WITHOUT THE WRITTEN PERMISSION OF PREMIER MOUNTS DIVISION OF <PMPI> IS PROHIBITED.



MOUNTING ARM LATERAL SHIFT ADJ.



BACK PLATE LATERAL SHIFT ADJ.

0°-12° CONTINUOUS TILT

(OPTION) BACK PLATE MAY BE BOLTED SIDE BY SIDE FOR VIDEO WALL APPLICATIONS

MOUNTS.COM

DIMENSIONS ARE IN INCH AND [MM]

**PREMIER MOUNTS**  
 THE ORIGINAL MOUNT COMPANY  
 1321 South State College Blvd  
 Fullerton Ca, 92831  
 P. 800.368.9700 - F. 800.832.4888

ITEM DESCRIPTION:  
**FLAT PANEL TILTING MOUNT**

SIZE B DWG. NO. **CTM-MS2**

SCALE: 1:8 SHEET 1 OF 1