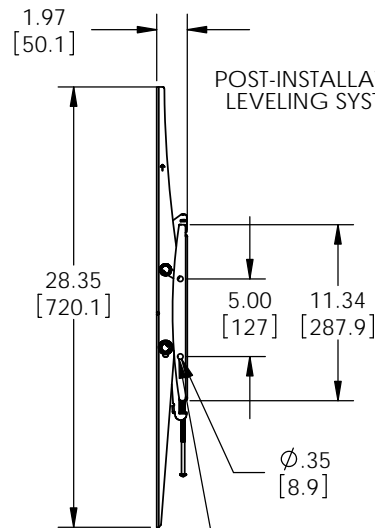
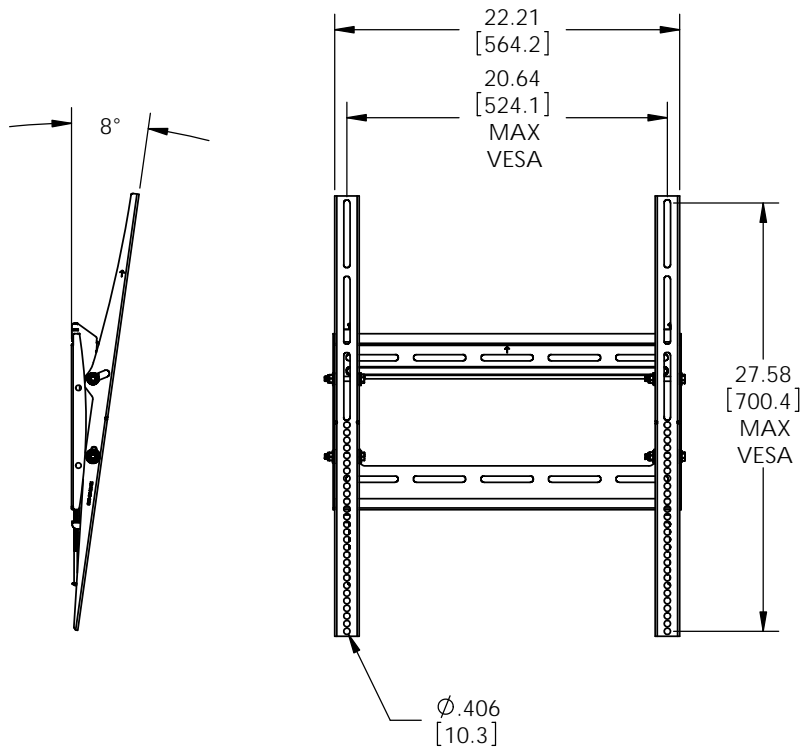
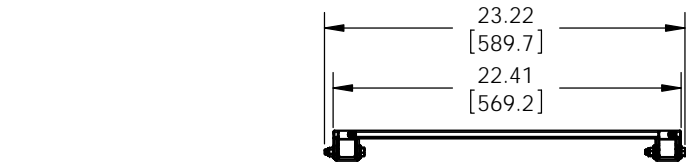
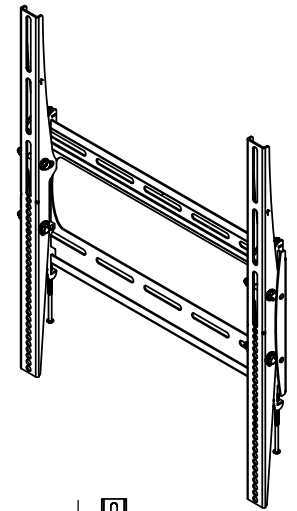


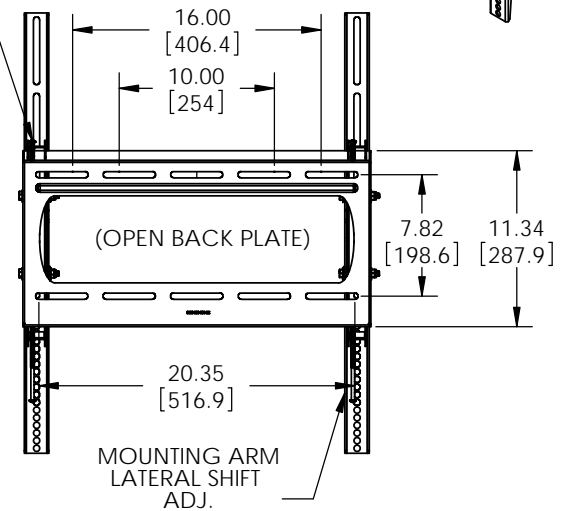
THE INFORMATION CONTAINED IN THIS DRAWING IS THE SOLE PROPERTY OF PREMIER MOUNTS DIVISION OF <PMPI>. ANY REPRODUCTION IN PART OR WHOLE WITHOUT THE WRITTEN PERMISSION OF PREMIER MOUNTS DIVISION OF <PMPI> IS PROHIBITED.



205 Westwood Ave, Long Branch, NJ 07740
 Phone: 866-94 BOARDS (26273) / (732)-222-1511
 Fax: (732)-222-7088 | E-mail: sales@touchboards.com



POST-INSTALLATION LEVELING SYSTEM



(OPEN BACK PLATE)

(OPTION) BACK PLATES MAY BE BOLTED SIDE BY SIDE FOR VIDEO WALL APPLICATIONS



ITEM DESCRIPTION:	
LOW PROFILE PORTRAIT MOUNT	
SIZE	DWG. NO.
B	P4263TP
SCALE: 1:8	
SHEET 1 OF 1	

WEIGHT CAPACITY: 175 LBS
 DIMENSIONS ARE IN INCH AND [MM]

MOUNTS.COM