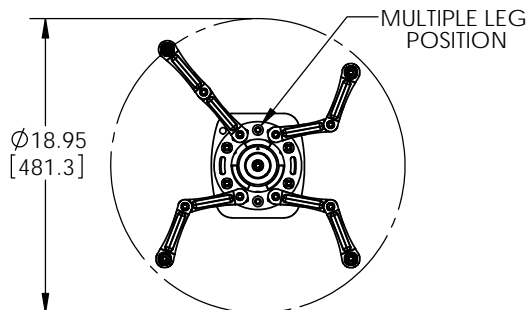
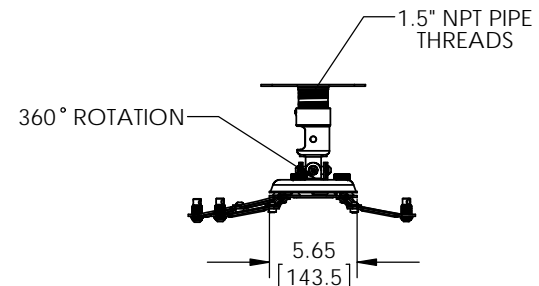
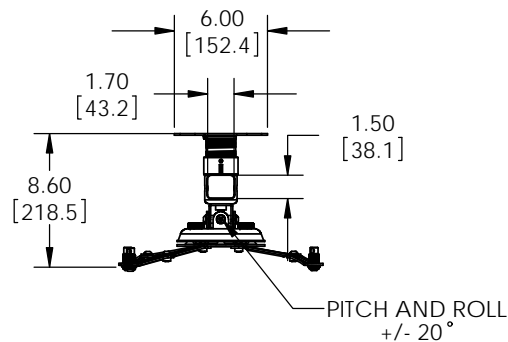
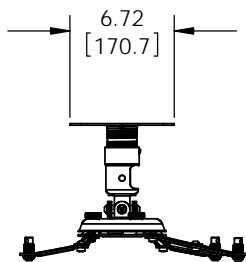
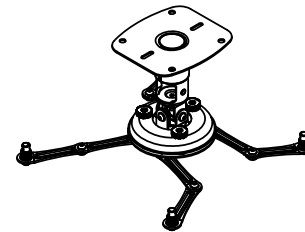
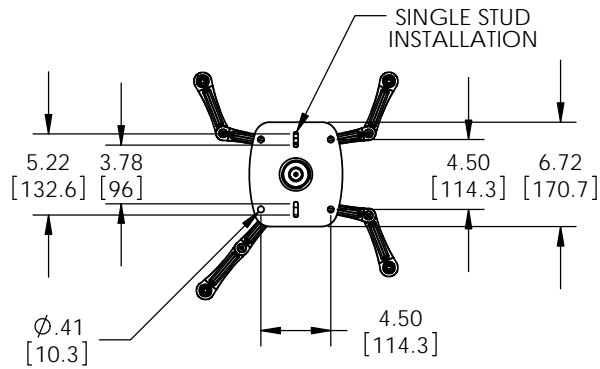



THE INFORMATION CONTAINED IN THIS DRAWING IS THE SOLE PROPERTY OF PREMIER MOUNTS DIVISION OF <PMPI>. ANY REPRODUCTION IN PART OR WHOLE WITHOUT THE WRITTEN PERMISSION OF PREMIER MOUNTS DIVISION OF <PMPI> IS PROHIBITED.



MOUNTS.COM

WEIGHT CAPACITY: 40 LBS
DIMENSIONS ARE IN INCHES AND [MM]

 PREMIER MOUNTS <small>THE ORIGINAL MOUNT COMPANY</small>	
1321 South State College Blvd Fullerton Ca, 92831 P. 800.368.9700 - F. 800.832.4888	
ITEM DESCRIPTION: UNIVERSAL PROJECTOR MOUNT WITH INTEGRATED COUPLER	
SIZE B	DWG. NO. PBC-UMS
SCALE: 1:8	
SHEET 1 OF 1	