

P-Series Versatile Flat Mount Family

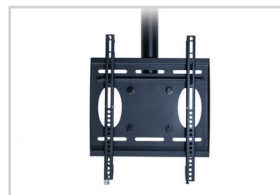
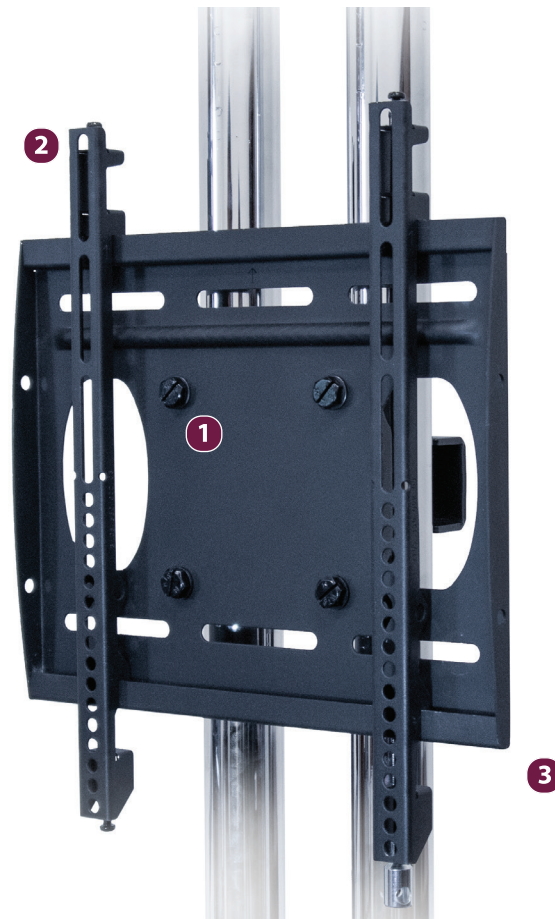
Models: **PFDM1, PFDM2**

Screen Sizes: 40 - 55 in. Weight Capacity: 100 lb / 45.4 kg.

Features

- 1** Easily mounts to walls, and 4.5" Bolt Pattern makes it versatile to use adapters to mount to carts & stands, or suspend from the ceiling
 - 2** Mounts in portrait or landscape orientations
 - 3** Low-profile mount allows displays to be less than 1 inch from their mounting surface
- Open back panel design for easy cable and electrical access
 - Lock-It™ security barrel included
 - Post-installation leveling system
 - Built-in lateral shift
 - Optional extension adapters bring VESA pattern to 600x400 in landscape orientation for PFDM2
 - Mounting kit includes wood and concrete stud attachment hardware

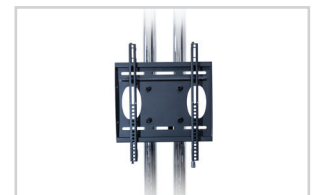
The P-Series Versatile Flat Mounts are low-profile mounts for flat panels up to 100-lb./45.4 kg., with a display range of 40" & 42" (PFDM1), or 46"-55" (PFDM2). Both models can be mounted to the wall, and also have a 4.5" bolt pattern that make them extremely versatile to use with adapters to suspend from the ceiling, as well as mount to carts and stands. These low profile mounts can be mounted in landscape or portrait orientations. Other features include post-installation leveling and built-in lateral shift.



Use one mount for either portrait or landscape mode



Displays sit less than 1 inch from their mounting surface



Mounts to walls, carts and stands, or suspended from the ceiling

Touchboards

205 Westwood Ave, Long Branch, NJ 07740
 Phone: 866-94 BOARDS (26273) / (732)-222-1511
 Fax: (732)-222-7088 | E-mail: sales@touchboards.com

P-Series Versatile Flat Mount Family

PFDM1, PFDM2

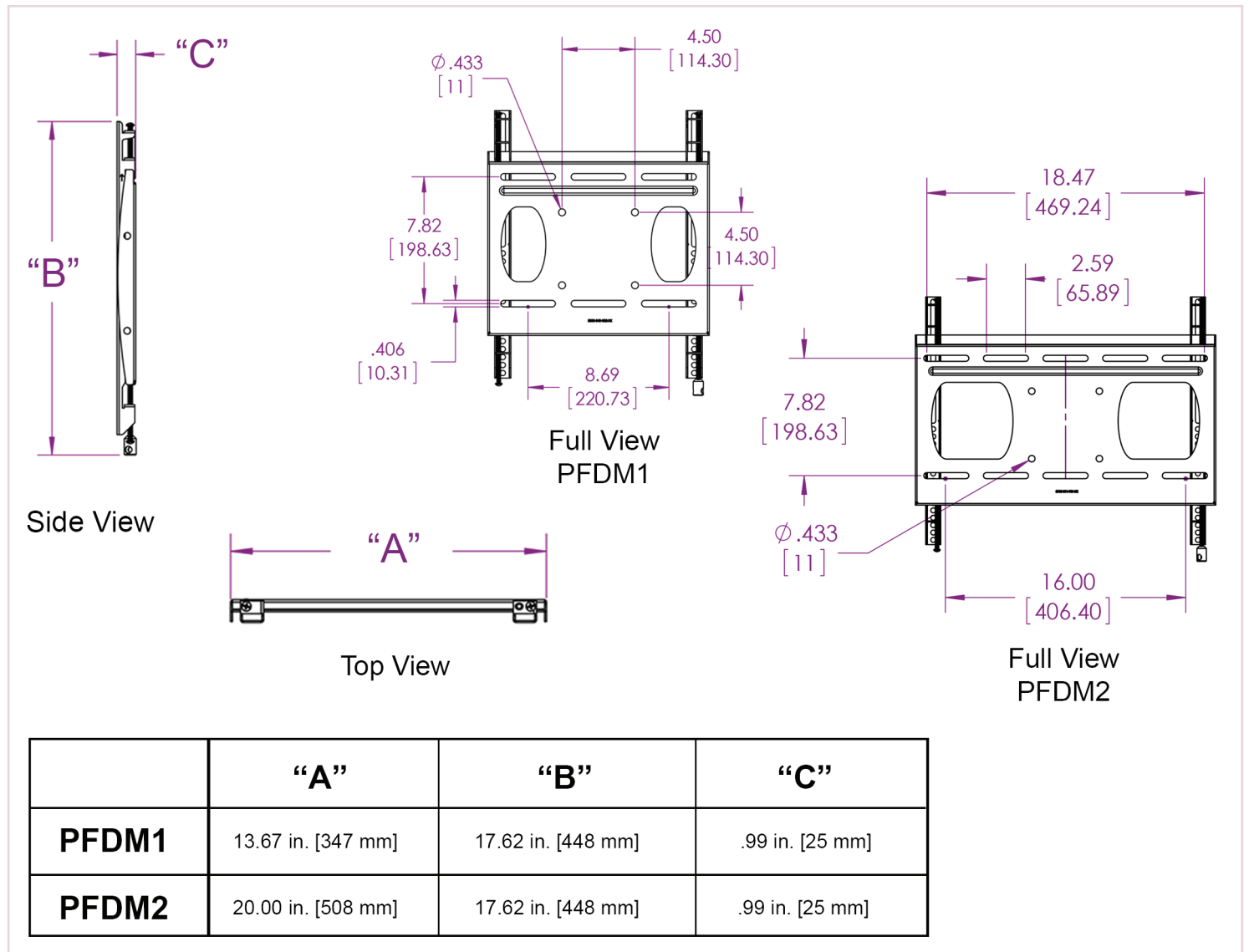
Specifications

Screen Sizes		Weight	Color	Mounting Pattern
PFDM1	40 & 42 in.	5.2 lb. 2.4 kg	Black	200 x 200 mm (Min) x 300 x 400 mm (Max)
PFDM2	46-55 in.	6.2 lb. 2.8 kg	Black	200 x 200 mm (Min) x 400 x 400 mm (Max)
Width x Height x Depth		Total Weight Capacity	Warranty	
PFDM1	13.67 x 17.62 x 0.99 in. 347 x 448 x 25 mm	100 lb. 45.4 kg	Lifetime	
PFDM2	20 x 17.62 x 0.99 in. 508 x 448 x 25 mm	100 lb. 45.4 kg	Lifetime	

Packaging

Width x Height x Depth	Contents
27 x 17.375 x 3.5 in. 686 x 441 x 89 mm	Wall Plate (x1), Mounting Bracket (x2), Universal Hardware Pack (x1)

Architectural Drawing



Specifications subject to change without notice