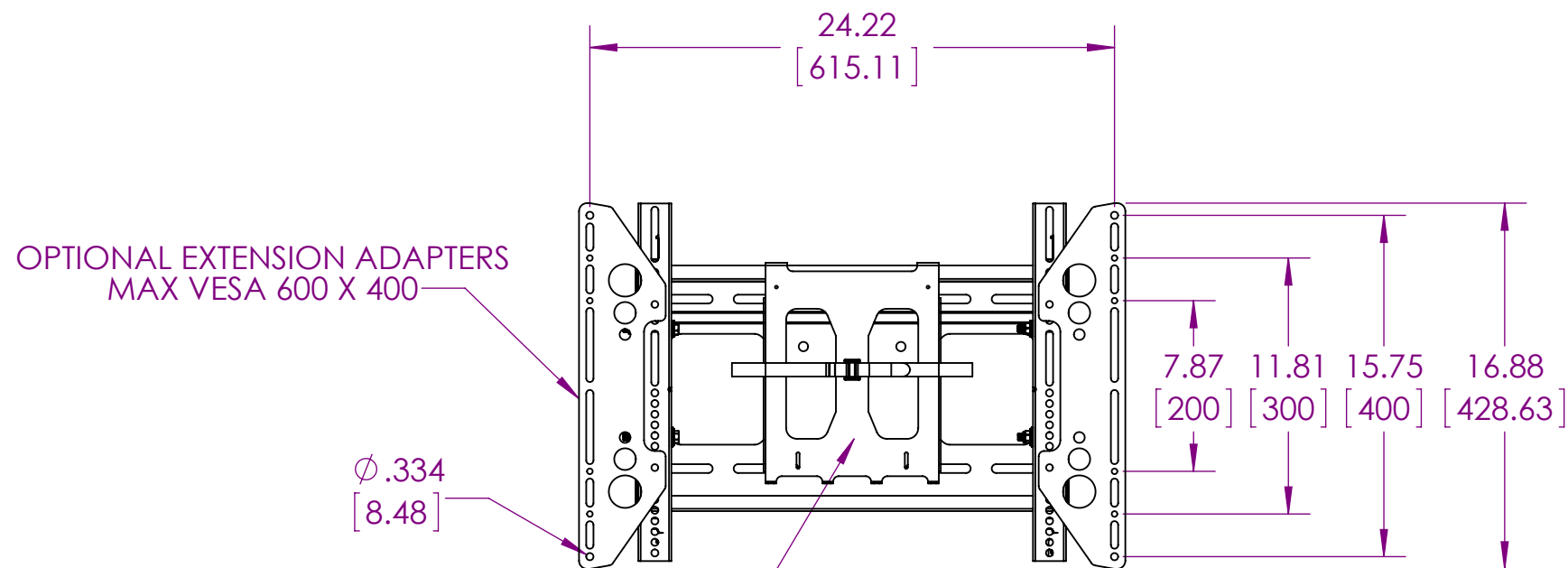
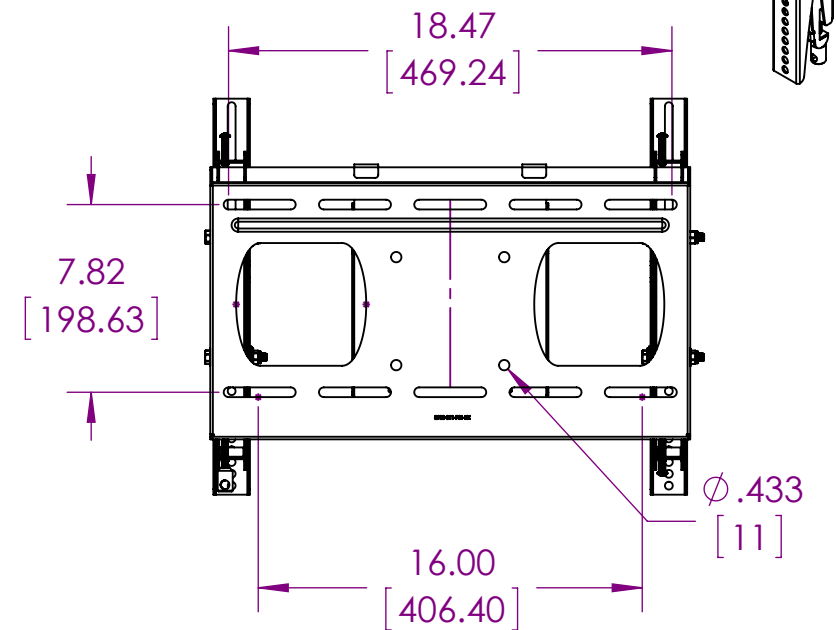
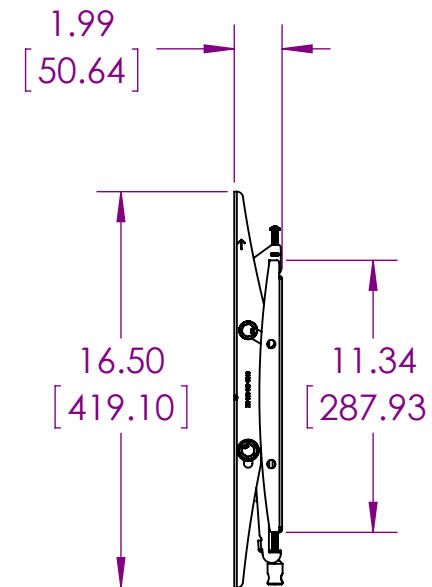
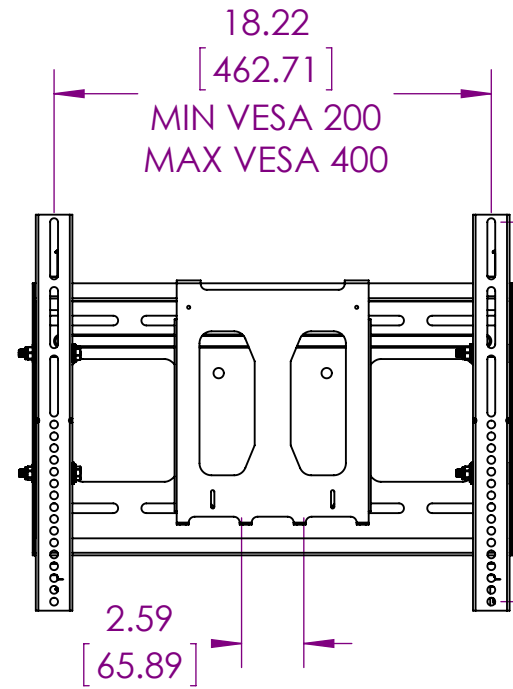
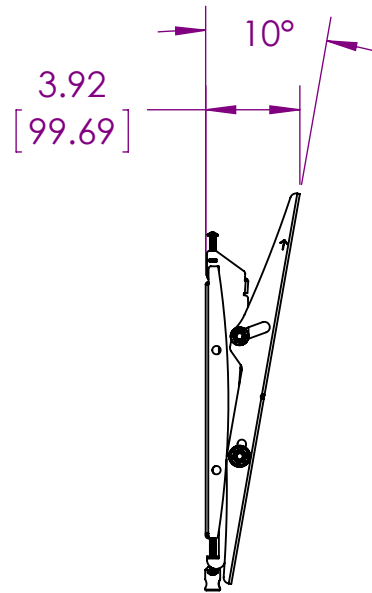
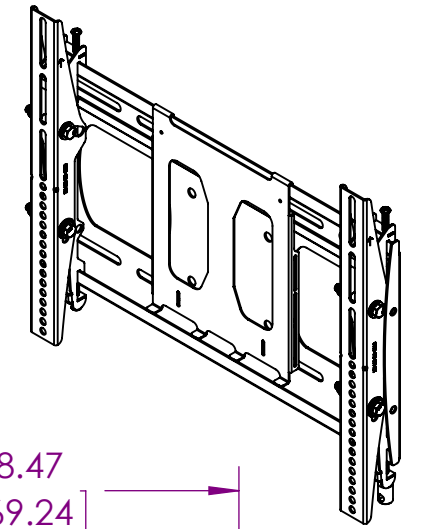
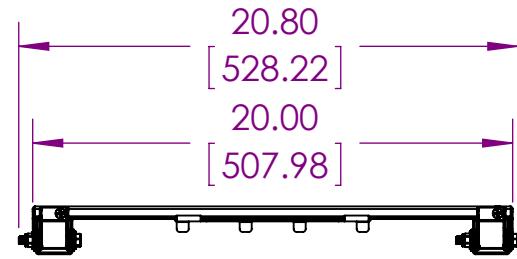


THE INFORMATION CONTAINED IN THIS DRAWING IS THE SOLE PROPERTY OF PREMIER MOUNTS DIVISION OF <PMPI> ANY REPRODUCTION IN PART OR WHOLE WITHOUT THE WRITTEN PERMISSION OF PREMIER MOUNTS DIVISION OF <PMPI> IS PROHIBITED.

NOTE: ALL DIMENSIONS ARE FOR FABRICATION ASSY AND VERIFICATION ONLY. GEOMETRY IS CONTROLLED AND MAINTAINED BY CAD FILE.

| REVISIONS | | | | |
|-----------|------|-------------|------|----------|
| ZONE | REV. | DESCRIPTION | DATE | APPROVED |
| | | | | |



OPTIONAL EXTENSION ADAPTERS
MAX VESA 600 X 400

OPTIONAL MEDIA
PLAYER ADAPTER
WITH VELCRO STRAP

WEIGHT CAPACITY 100 LBS
DIMENSIONS ARE IN INCH AND [MM]

NOTES:
1. INTERPRET DRAWING PER (Y14.5)

PREMIER MOUNTS
THE ORIGINAL MOUNT COMPANY
1321 South State College Blvd
Fullerton Ca, 92831
P. 800.368.9700 - F. 800.832.4888

ITEM DESCRIPTION:
P-SERIES VERSATILE TILT DISPLAY MOUNT

SIZE B DWG. NO. **PTDM2**

SCALE: 1:8 SHEET 1 OF 1