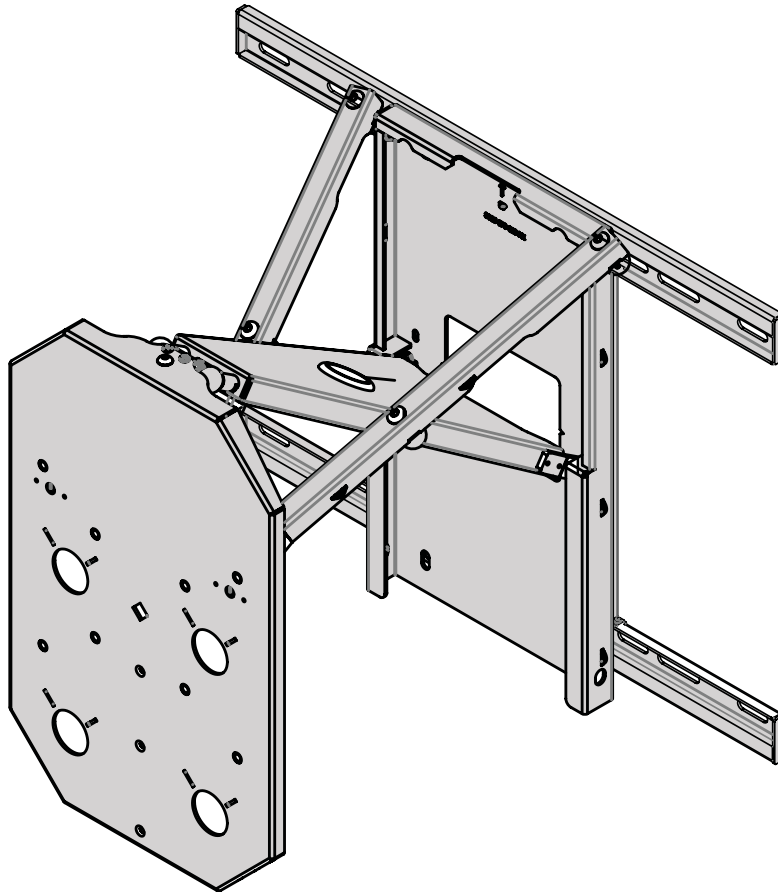


INSTALLATION INSTRUCTIONS



Extending Swivel Mount for Flat-Panels
Model: AM225



Touchboards

205 Westwood Ave, Long Branch, NJ 07740
Phone: 866-94 BOARDS (26273) / (732)-222-1511
Fax: (732)-222-7088 | E-mail: sales@touchboards.com



Contents

Weight Limit.....	2
Warning Statements.....	2
Installation Tools.....	3
Parts List.....	3
Features.....	4
Building the Wall Frame.....	5
Installing the Wall Frame.....	6
Introduction.....	6
Determining the Mounting Surface.....	6
Wood Stud Installation.....	6
Concrete Installation.....	8
Installing the Pullout Mount.....	10
Attach a P-Series Mount and/or Accessories.....	11
Post-Installation Adjustments.....	11
Cable Routing.....	12
Technical Specifications.....	12
Warranty.....	13

Weight Limit

Maximum Flat Panel Weight: **225 lbs.**

THE WALL STRUCTURE MUST BE CAPABLE OF SUPPORTING AT LEAST FIVE TIMES THE WEIGHT OF THE FLAT PANEL. IF NOT, THE WALL STRUCTURE MUST BE REINFORCED.

Warning Statements

- PRIOR TO THE INSTALLATION OF THIS PRODUCT, THE INSTALLATION INSTRUCTIONS MUST BE READ AND COMPLETELY UNDERSTOOD. KEEP THESE INSTALLATION INSTRUCTIONS IN AN EASILY ACCESSIBLE LOCATION FOR FUTURE REFERENCE.
- PROPER INSTALLATION PROCEDURE BY A QUALIFIED SERVICE TECHNICIAN MUST BE FOLLOWED, AS OUTLINED IN THESE INSTALLATION INSTRUCTIONS. FAILURE TO DO SO COULD RESULT IN PROPERTY DAMAGE, SERIOUS PERSONAL INJURY, OR EVEN DEATH.
- SAFETY MEASURES MUST BE PRACTICED AT ALL TIMES DURING THE ASSEMBLY OF THIS PRODUCT. USE PROPER SAFETY EQUIPMENT AND TOOLS FOR THE ASSEMBLY PROCEDURE TO PREVENT PERSONAL INJURY.
- PREMIER MOUNTS DOES NOT WARRANT AGAINST DAMAGE CAUSED BY THE USE OF ANY PREMIER MOUNTS PRODUCT FOR PURPOSES OTHER THAN THOSE FOR WHICH IT WAS DESIGNED OR DAMAGE CAUSED BY UNAUTHORIZED ATTACHMENTS OR MODIFICATIONS, AND IS NOT RESPONSIBLE FOR ANY DAMAGES, CLAIMS, DEMANDS, SUITS, ACTIONS OR CAUSES OF ACTION OF WHATEVER KIND RESULTING FROM, ARISING OUT OF OR IN ANY MANNER RELATING TO ANY SUCH USE, ATTACHMENTS OR MODIFICATIONS.
- At least two qualified people should perform the assembly procedure. Personal injury and/or property damage can result from dropping or mishandling the flat panel.
- If mounting to wall studs, make sure that the mounting screws are anchored into the center of the wall studs. Use of an edge-to-edge stud finder is recommended.
- Be aware of the mounting environment. If drilling and/or cutting into the mounting surface, always make sure that there are no electrical wires in wall. Cutting or drilling into an electrical line may cause serious personal injury.
- Make sure there are no water or natural gas lines inside the wall where the mount is to be located. Cutting or drilling into a water or gas line may cause severe property damage or personal injury.
- This product is intended for indoor use only. Use of this product outdoors could lead to product failure and/or serious personal injury.
- Do not install near sources of high heat. Do not install on a structure that is prone to vibration, movement or chance of impact.

Contact Premier Mounts with any questions:
(800) 368-9700
techsupport@mounts.com



Installation Tools

The following tools may be required, dependent upon your particular installation. These tools are not provided by Premier Mounts, but you can purchase them at your local hardware store.

 Electronic Stud Finder	 1/4" Drill Bit for Wood Stud	 5/16" Concrete Drill Bit**	 Hand Held Drill
 Pencil	 Tape Measure	 Hammer**	 Level
 Zip Ties	 Socket Wrench	 1/2" Socket	 M10 Socket*
			 Phillips Tip Screwdriver

** Optional tools for concrete installations.

Parts List

Your Premier Mounts product is shipped with all proper installation hardware and components. Make sure that none of these parts are missing and/or damaged before beginning installation. If there are parts missing and/or damaged, please stop the installation and contact Premier Mounts at (800) 368-9700.

AM225 Mount Components				
 Pullout Mount (Qty 1)	 Wall Mounting Bracket (Qty 2)	 Crosspiece Bracket (Qty 2)		
 M4 x 8mm Combo Phillips Screw (Qty 8)	 M5 x 8mm Combo Phillips Screw (Qty 2)	 M8 x 12mm Combo Phillips Screw (Qty 4)	 M8 x 16mm Combo Phillips Screw (Qty 4)	 5/16" Flat Washer - Metal (Qty 4)
 5/16" x 3" Hex Lag Bolts (Qty 4)	 M2.5 Allen Wrench (Qty 1)			



Features

The Extending Swivel Mount (AM225) is the ideal wall mount for flat-panels. It extends smoothly up to 20 inches from the wall, and allows simple post-installation leveling and swivel adjustments for the perfect viewing angle. Its open design makes it easy to set up cable and electrical wiring. The AM225 works with the P-Series P4263F or P4263T flat-panel mount to help support the display.

Stylish Design

Sleek, sturdy and unobtrusive.

Adjustable Extension

Your flat panel stays at the extension you choose regardless of flat-panel size or weight.

Cable Management

Use zip ties and openings to keep cables from being pinched and reduce unsightly cable clutter.

Post-Installation Adjustments

Remove the M5 side screws on top of the mounting plate to allow for swivel.

Robust Mount Design

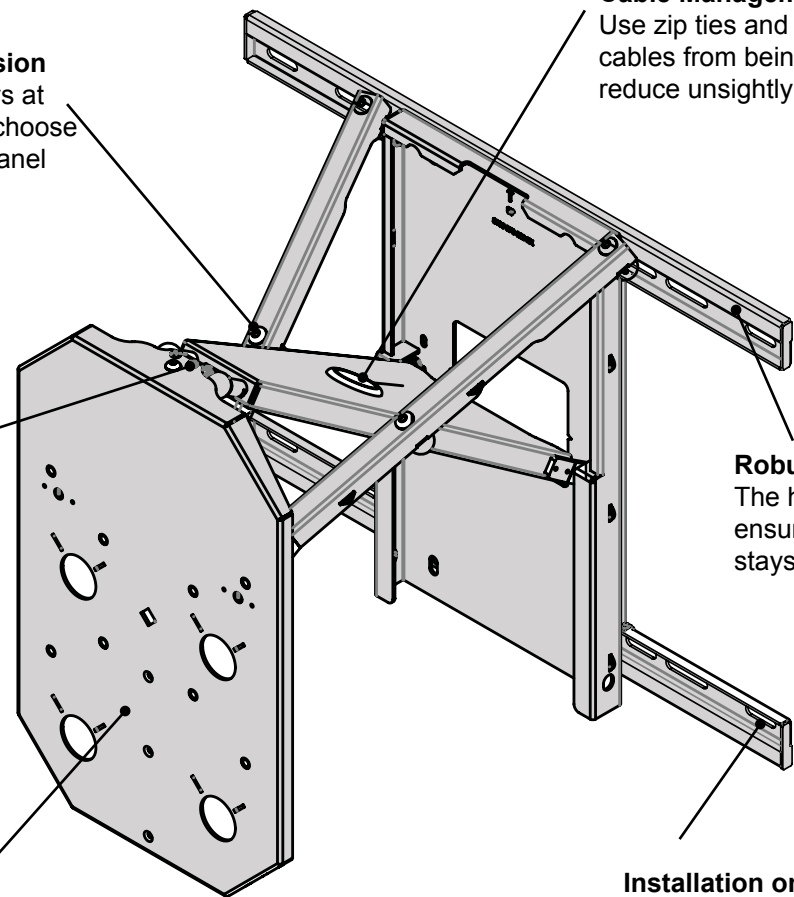
The heavy duty wall frame ensures that your flat-panel stays were you installed it.

Versatile

Use a P4263F or P4263T mount to attach the display to the AM225.

Installation on Stud Placement

The mounting brackets are designed to easily attach to 12" or 16" studs.



Building the Wall Frame

Use eight (8) M4 x 8mm combo Phillips screws to attach the two (2) crosspiece brackets to the two (2) wall mounting brackets (Fig. 1).



Make sure the brackets are facing in the same direction as shown (Fig. 1).



The screws must be inserted as shown (Fig. 2 and Fig. 3)

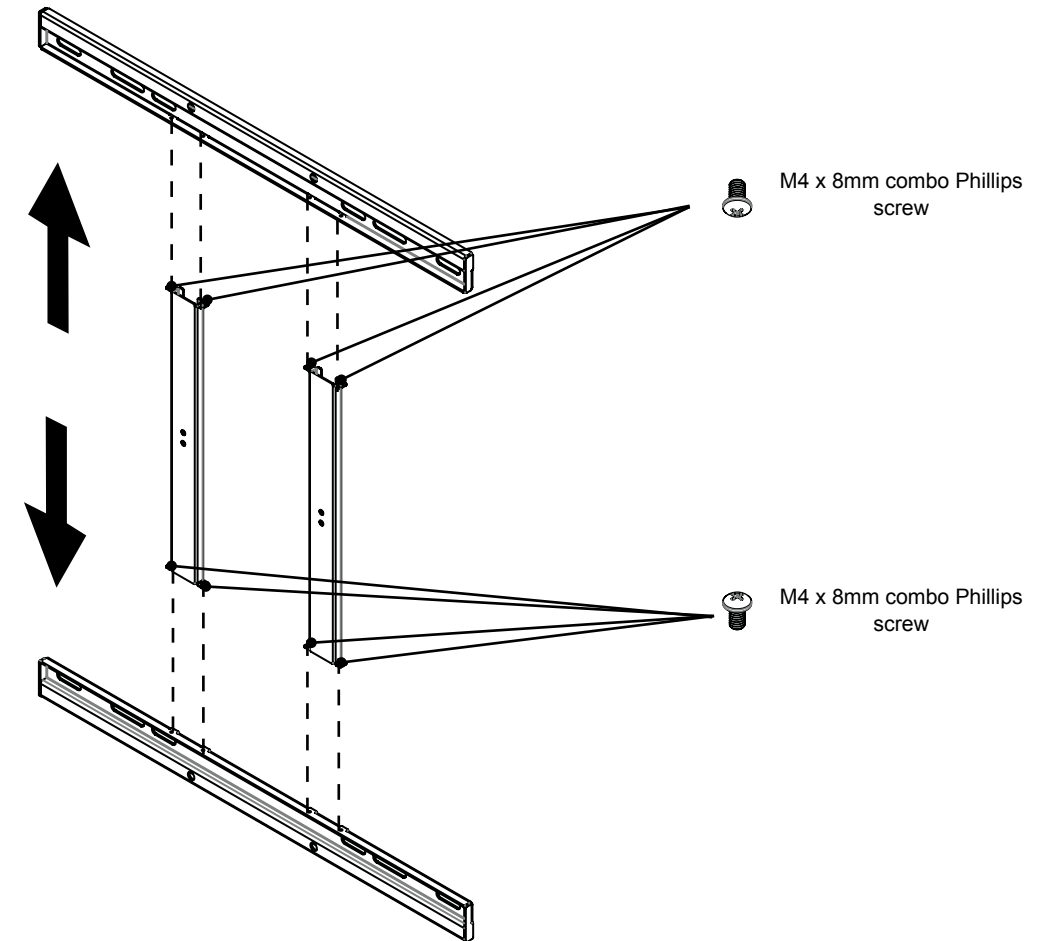


Fig. 1

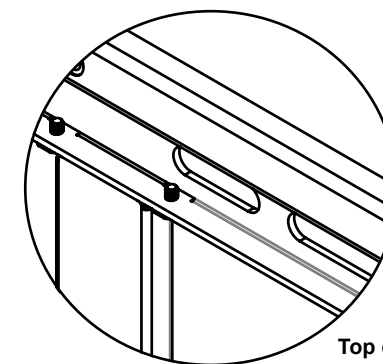


Fig. 2

Top of Wall Frame

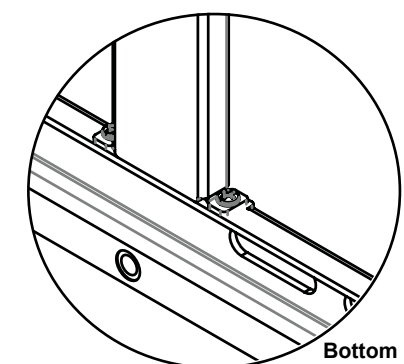


Fig. 3

Bottom of Wall Frame

Proceed to the "Installing the Wall Frame" section.



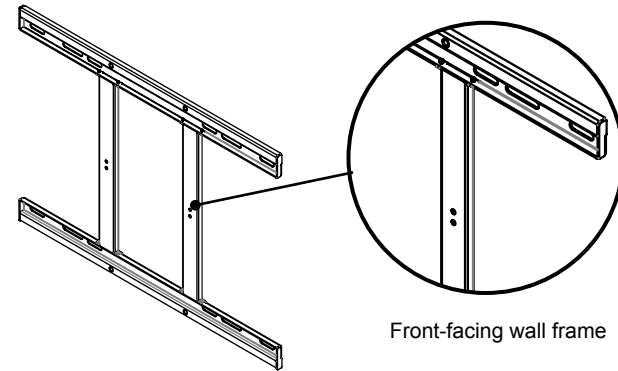


Installing the Wall Frame

Introduction

Facing the Front
Make sure the flat side of the wall frame's crosspiece brackets is facing the front.

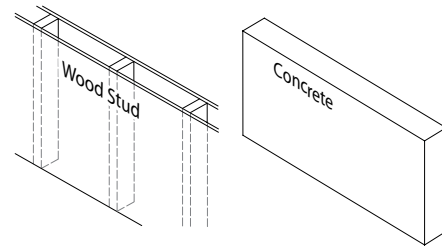
Mounting Safety
Two people are recommended for installing this mount.



Determining the Mounting Surface

If you will be installing your AM225 mount to wood studs, proceed to the **“Wood Stud Installation”** section.

If you will be installing your AM225 mount to a concrete wall, proceed to the **“Concrete Installation”** section.

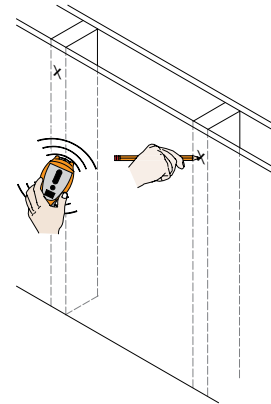


Wood Stud Installation

Step 1

! You must secure the wall frame to two (2) wall studs with a minimum of four (4) lag bolts (2 lag bolts for each stud found).

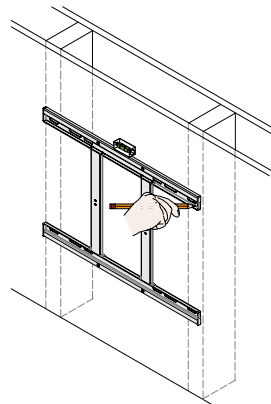
- 1 Use a stud finder to determine the exact center of wall studs in the vicinity of the wall frame.
- 2 Use a pencil to mark the exact center of each of the wall studs.



Step 2

! Two people are recommended for this step; one person to level the wall frame and another person to mark the wall stud location.

- 1 Place the wall frame against the wall in the desired viewing location.
- 2 Adjust the wall frame to align the mount slots in the wall frame with the center of the wall studs.
- 3 Level the wall frame.
- 4 Use a pencil to mark the upper right mounting location along the center of the wall stud.

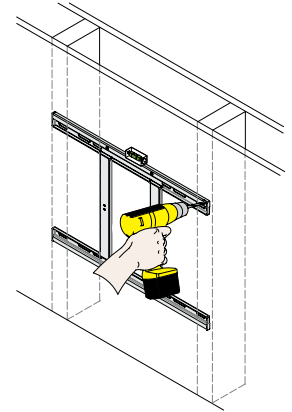


Installing the Wall Frame (cont'd)

Step 3

Drill a “pilot hole” in the center of the upper right mark using a 1/4” drill bit and power drill.

! Only use a 1/4” drill bit when drilling the pilot holes.

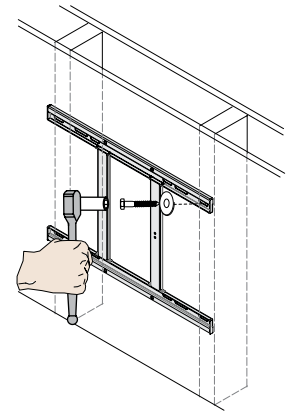


Step 4

1 Place the wall frame against the wall and align it with the pilot hole.

2 Insert one (1) 5/16” x 3” lag bolt and one (1) 5/16” washer into the upper right mounting hole and tighten using a socket wrench and 1/2” socket.

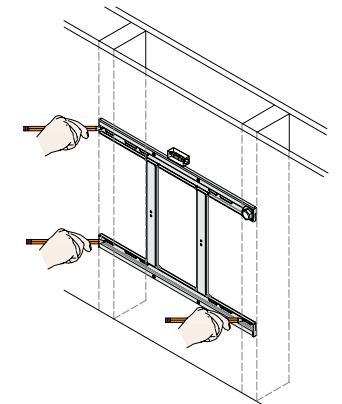
! Do not overtighten the lag bolt.



Step 5

1 Level the wall frame.

2 Use a pencil to mark the remaining three (3) mounting locations along the center of each wall stud.

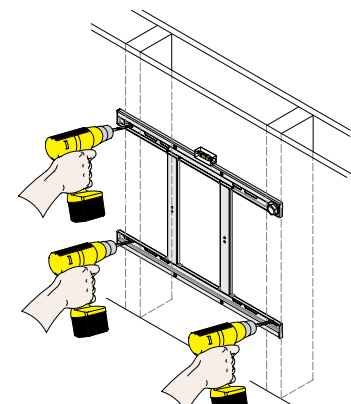


Step 6

! Two people are recommended for this step; one person to level the wall frame and another person to drill the pilot holes.

Drill a “pilot hole” in the center of each of the marks with a power drill and a 1/4” drill bit.

! Only use 1/4” drill bit when drilling the pilot holes.





Installing the Wall Frame (cont'd)

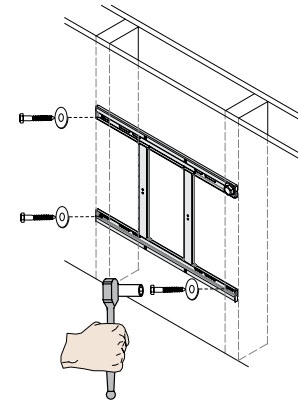
Step 7

1 Insert one (1) 5/16" x 3" lag bolt and one (1) 5/16" washer into each pilot hole.

The wide mounting slots in the wall frame allow lateral shift to help you precisely position the pullout mount.

2 Tighten all lag bolts using a socket wrench and 1/2" socket.

Do not overtighten the lag bolts when attaching the mount to the wall. Improper installation may result in personal injury or property damage.

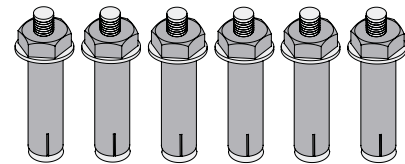


Proceed to the "Installing the Mounting Bracket" section.

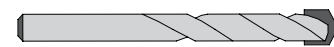
Concrete Installation

The supplied 5/16" concrete wedge anchors must be used for concrete installation.

You will need a 5/16" concrete drill bit, which is available at your closest hardware store.



Concrete Wedge Anchors (not included)



Example of 5/16" Concrete Drill Bit (not Included)

Step 1

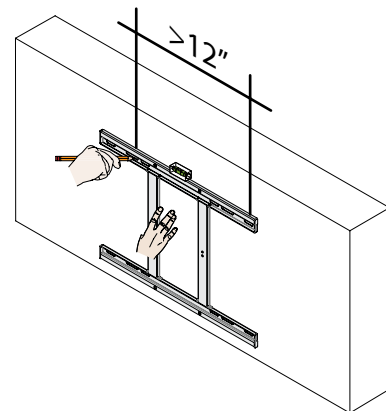
Two people are recommended for this step; one person to level the wall frame and another person to mark the mounting locations.

1 Place the wall frame against the wall in the desired viewing location.

2 Level the wall frame.

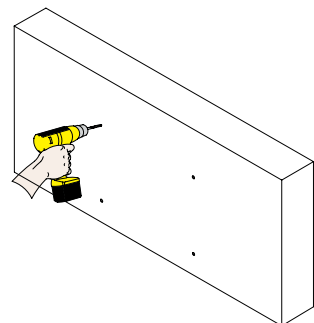
3 Use a pencil and mark 2 upper and 2 lower mounting locations where you will be drilling holes for the concrete wedge anchors. Each horizontal location cannot be closer than 12" apart.

4 Set the wall frame to one side in a safe location.



Step 2

Use a power drill and 5/16" concrete drill bit to drill a hole at each of the marks.



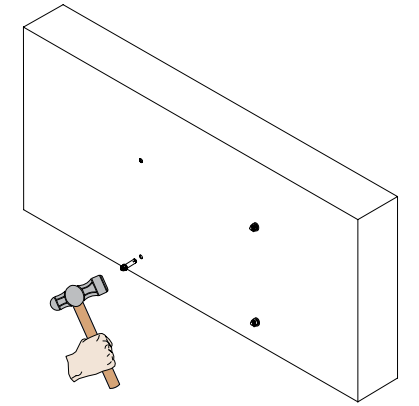
Installing the Wall Frame (cont'd)

Step 3

1 Insert a concrete wedge anchor into each hole.

If necessary, lightly tap each concrete wedge anchor into place with a hammer.

2 Remove the nuts and washers from all four (4) concrete wedge anchors.



Step 4

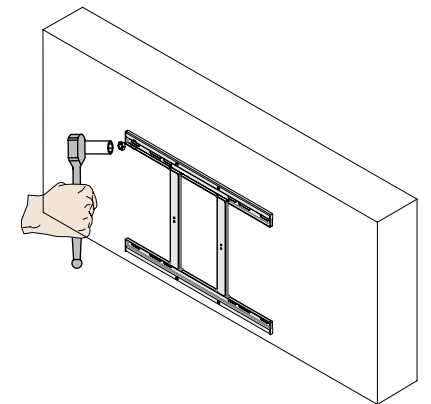
1 Place the wall frame against the wall over the threaded shafts of the concrete wedge anchors.

2 Replace the washers which you removed from the concrete wedge anchors with the 5/16" washers shown in the parts list on Page 3.

3 Attach the nuts and 5/16" washers to each of the concrete wedge anchors and tighten using a socket wrench and an M10 socket.

The wide mounting slots in the wall frame allow lateral shift to help you precisely position the pullout mount.

Do not overtighten the wedge anchor nuts.



205 Westwood Ave, Long Branch, NJ 07740


Phone: 866-94 BOARDS (26273) / (732)-222-1511

Fax: (732)-222-7088 | E-mail: sales@touchboards.com





Installing the Pullout Mount

- 1 Pre-install two (2) M8 x 12mm combo Phillips screws in the top screw holes of the wall frame (Fig.1) using at least 5 full turns.

 Leave a gap between the heads of the screws and the wall frame for hanging the pullout mount.

- 2 Hang the pullout mount on the M8 x 12mm combo screws that were pre-installed in the wall frame (Fig. 2).

 The keyhole design  of the pullout mount's screw holes makes hanging easier.

- 3 Use (2) M8 x 12mm combo Phillips screws to attach the bottom of the pullout mount to the wall frame (Fig. 3).

- 4 Use two (2) M5 x 8mm combo Phillips screws to attach the middle of the pullout mount to the wall frame (Fig. 3).

- 5 Tighten the top M8 x 12mm combo Phillips screws.

Proceed to the "Attach a P-Series Mount and/or Accessories" section.

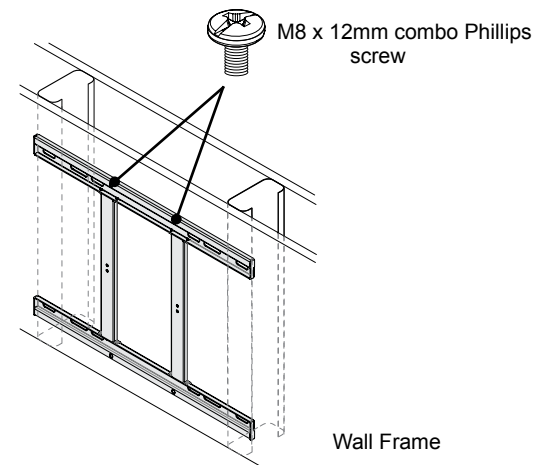


Fig. 1

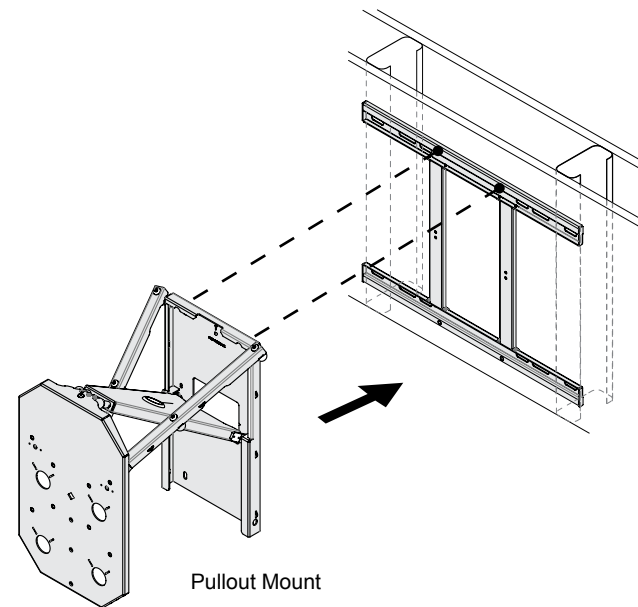


Fig. 2

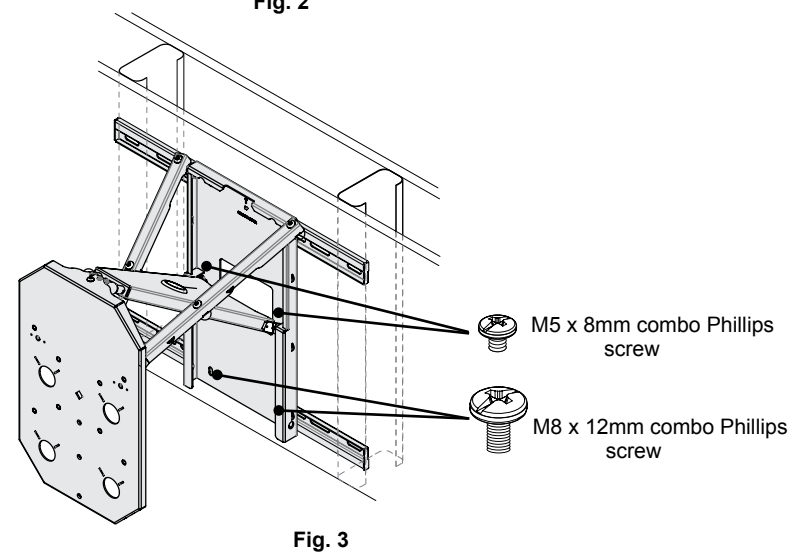
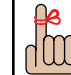
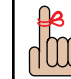


Fig. 3

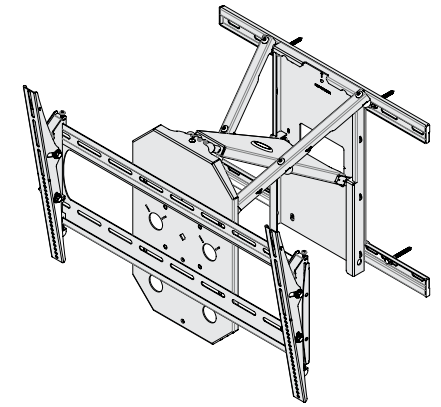
Attach a P-Series Mount and/or Accessories

Use four (4) M8 x 16mm pan Phillips screws to attach the P-Series P4263F or P4263T flat-panel mount to the AM225.

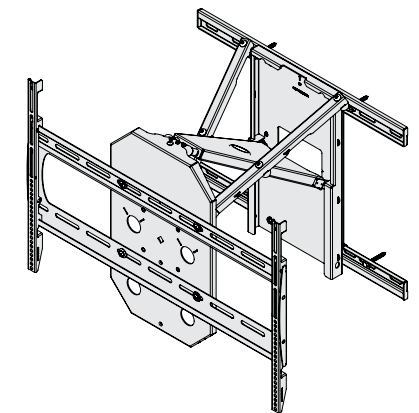
 Follow the installation instructions included with the P-Series mount.

 Make sure the P-Series mount is aligned to the center of the pullout portion of the AM225.

Proceed to the "Post-Installation Adjustments" section.



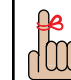
AM225 with P4263T tilt mount

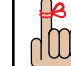


AM225 with P4263F flat mount

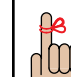
Post-Installation Adjustments

- 1 Remove the M5 top-side screws on location "A" to swivel.

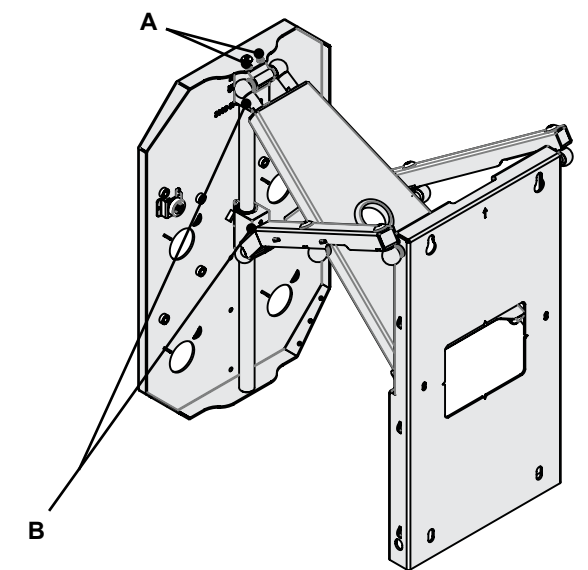
 You cannot re-insert the top-side screws unless the mounting plate is centered.

 Do not remove the M8 middle screw.

- 2 Use an M2.5 Allen wrench to loosen the screws on locations "B" to adjust the pullout tension.

 Stop loosening when the desired tension is achieved.

Proceed to the "Cable Routing" section.



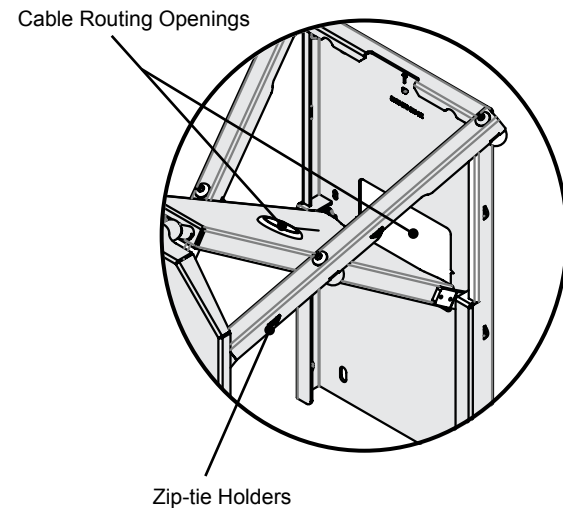
Back view of the AM225 pullout mount



Cable Routing

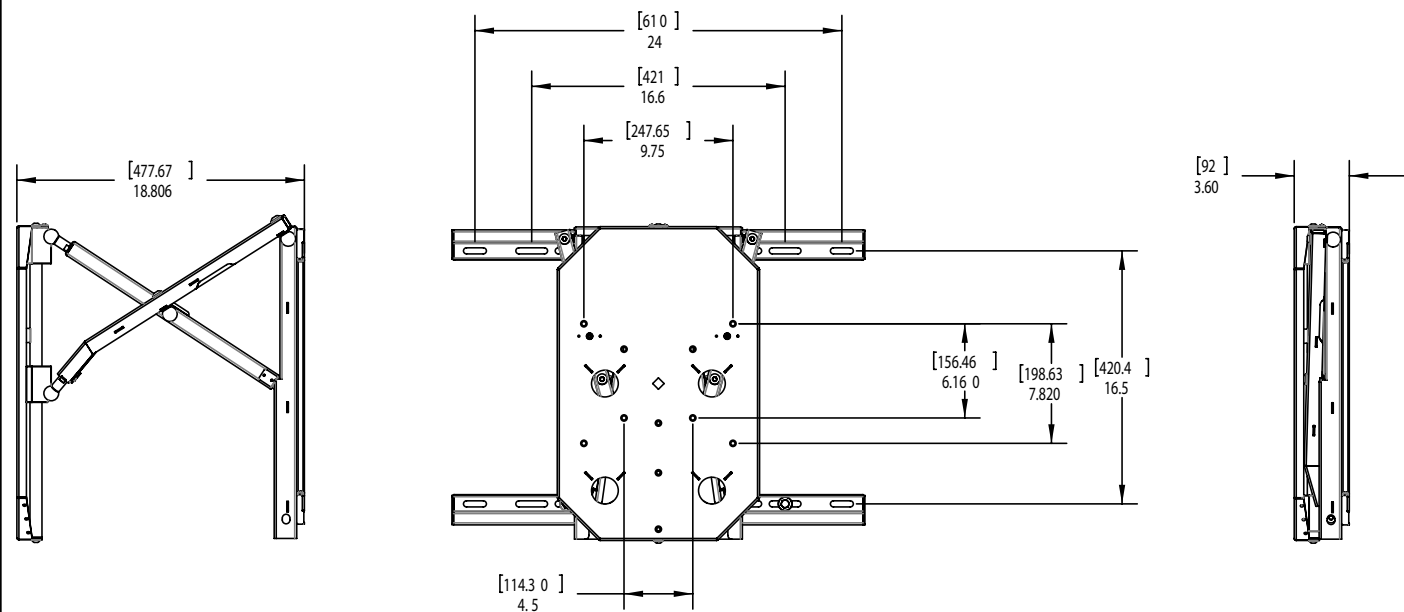
Neatly organize cabling and wiring by:

- Routing them through the openings in the pullout mount.
- Using zip ties (not included) through the zip-tie holders on the side brackets.



Technical Specifications

All measurements are in inches [mm].



Warranty

PREMIER MOUNTS LIMITED LIFETIME WARRANTY

What and Who is Covered by this Limited Warranty and for How Long

Premier Mounts warrants this product to be free from defects in material and workmanship for the lifetime of the original owner of this product. The limited warranty is valid only for the original purchaser of the product.

What Premier Mounts Will Do

At the sole option of Premier Mounts, Premier Mounts will repair or replace any product or product part that is defective. If Premier Mounts chooses to replace a defective product or part, a replacement product or part will be shipped to you at no charge, but you must pay any labor costs.

What is Not Covered; Limitations

PREMIER MOUNTS DISCLAIMS ANY LIABILITY FOR DAMAGE TO MOUNTS, ADAPTERS, DISPLAYS, PROJECTORS, OTHER PROPERTY, OR PERSONAL INJURY RESULTING, IN WHOLE OR IN PART, FROM IMPROPER INSTALLATION, MODIFICATION, USE OR MISUSE OF ITS PRODUCTS.

PREMIER MOUNTS DISCLAIMS ALL OTHER WARRANTIES, EXPRESS OR IMPLIED, INCLUDING WARRANTIES OF MERCHANTABILITY AND FITNESS FOR A PARTICULAR PURPOSE. PREMIER MOUNTS IS NOT RESPONSIBLE FOR INCIDENTAL OR CONSEQUENTIAL DAMAGES, INCLUDING BUT NOT LIMITED TO, INABILITY TO USE ITS PRODUCTS OR LABOR COSTS FOR REMOVING AND REPLACING DEFECTIVE PRODUCTS OR PARTS. SOME STATES DO NOT ALLOW THE EXCLUSION OR LIMITATION OF INCIDENTAL OR CONSEQUENTIAL DAMAGES, SO THE ABOVE LIMITATION OR EXCLUSION MAY NOT APPLY TO YOU.

What Customers Must Do for Limited Warranty Service

If you discover a problem that you think may be covered by the warranty you MUST REPORT it in writing to the address below within thirty (30) days. Proof of purchase (an original sales receipt) from the original consumer purchaser must accompany all warranty claims. Warranty claims must also include a description of the problem, the purchaser's name, address, and telephone number. General inquiries can be addressed to Premier Mounts Customer Service at 1-800-368-9700. Warranty claims will not be accepted over the phone or by fax.

Premier Mounts
 Attn: Warranty Claim
 3130 East Miraloma Ave.
 Anaheim, CA 92806

How State Law Applies

THIS WARRANTY GIVES YOU SPECIFIC LEGAL RIGHTS, AND YOU MAY ALSO HAVE OTHER RIGHTS WHICH VARY FROM STATE TO STATE.

Disclaimer

Premier Mounts intends to make this manual accurate and complete. However, Premier Mounts makes no claim that the information contained herein covers all details, conditions or variations, nor does it provide for every possible contingency in connection with the installation or use of this product. The information contained in this document is subject to change without notice or obligation of any kind. Premier Mounts makes no representation of warranty, expressed or implied, regarding the information contained herein. Premier Mounts assumes no responsibility for accuracy, completeness or sufficiency of the information contained in this document.



205 Westwood Ave, Long Branch, NJ 07740
 Phone: 866-94 BOARDS (26273) / (732)-222-1511
 Fax: (732)-222-7088 | E-mail: sales@touchboards.com