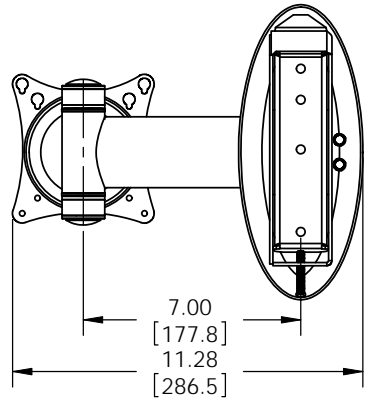
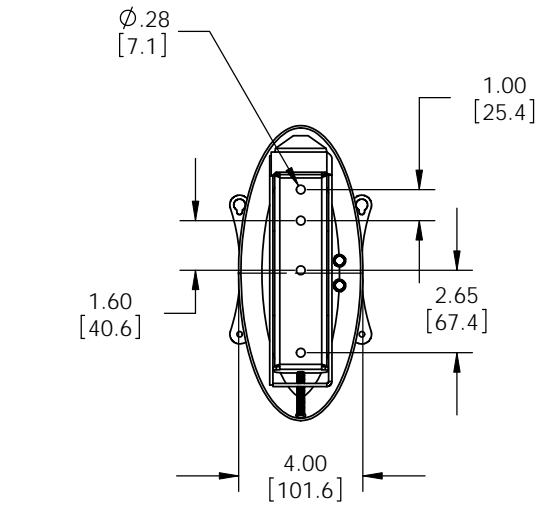
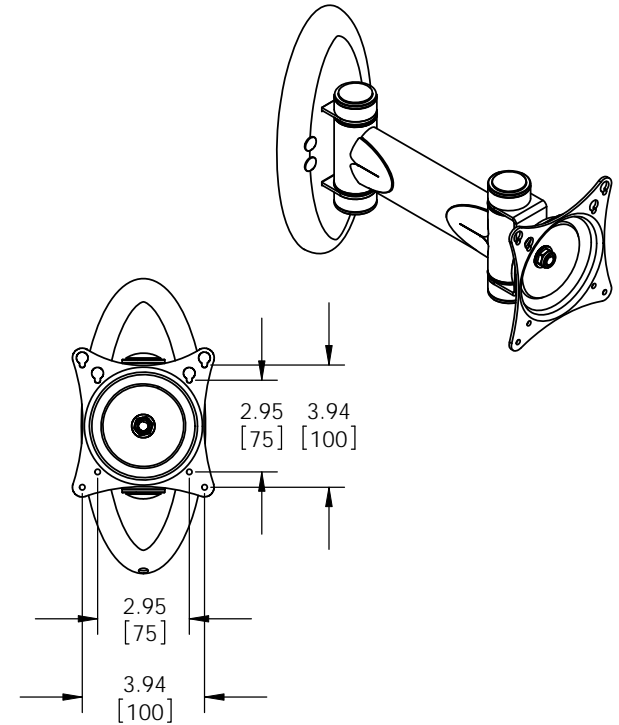
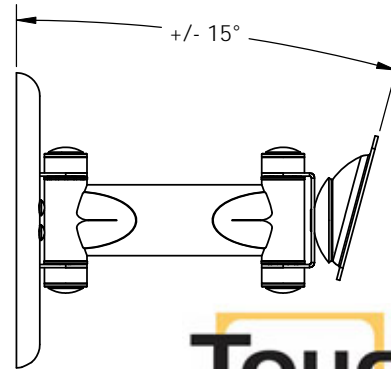
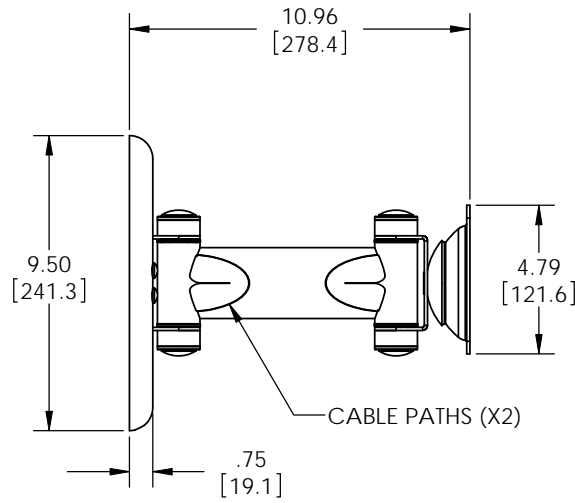


THE INFORMATION CONTAINED IN THIS DRAWING IS THE SOLE PROPERTY OF PREMIER MOUNTS DIVISION OF <PMPI>. ANY REPRODUCTION IN PART OR WHOLE WITHOUT THE WRITTEN PERMISSION OF PREMIER MOUNTS DIVISION OF <PMPI> IS PROHIBITED.



SWIVELS 90°



MOUNTS.COM

Touchboards

205 Westwood Ave, Long Branch, NJ 07740
 Phone: 866-94 BOARDS (26273) / (732)-222-1511
 Fax: (732)-222-7088 | E-mail: sales@touchboards.com

PREMIER MOUNTS®
 CREATING POSITIVE CUSTOMER EXPERIENCES

ITEM DESCRIPTION:		AM50S-B	
SIZE	DWG. NO.		
B			
SCALE: 1:1		SHEET 1 OF 1	