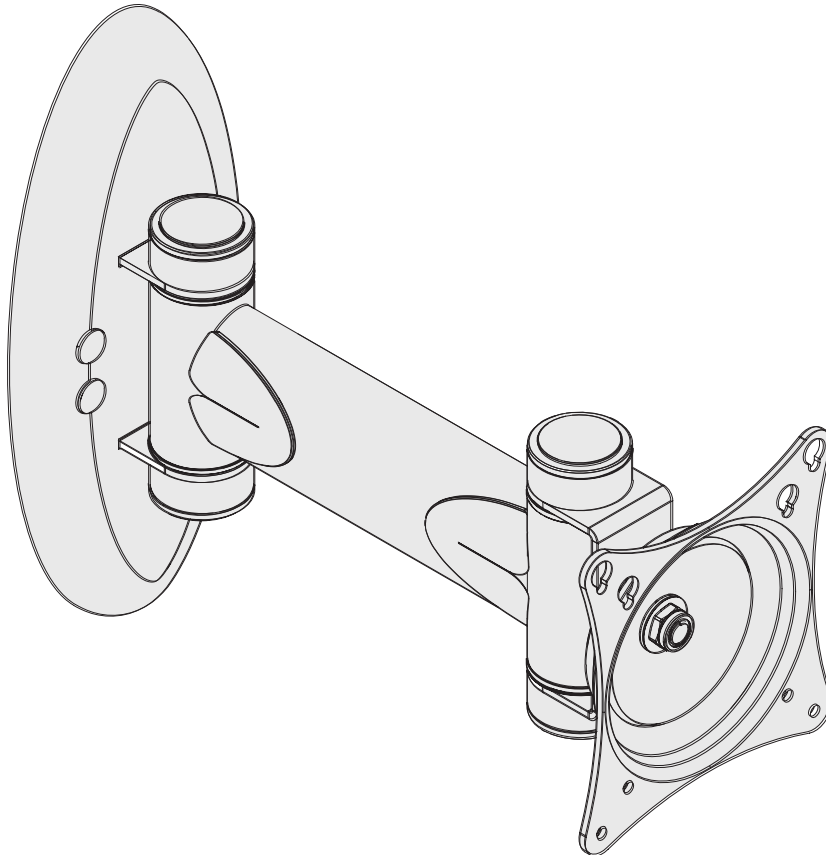


INSTALLATION INSTRUCTIONS



AM50S / AM50S-B

VESA Swingout Mount for Flat-Panels up to 32"

Touchboards

205 Westwood Ave, Long Branch, NJ 07740
Phone: 866-94 BOARDS (26273) / (732)-222-1511
Fax: (732)-222-7088 | E-mail: sales@touchboards.com



Contents

Weight Limit..... 2

Warning Statements..... 2

Installation Tools..... 3

Parts List..... 3

Features..... 4

Installing the Wall Plate..... 5

 Determining the Mounting Surface..... 5

 Wood Stud Installation..... 5

 Concrete Installation..... 6

Mounting Hardware..... 8

 Selecting the Mounting Hardware..... 8

Attaching the AM50S Mount to the Wall Plate..... 9

Securing the AM50S Mount..... 9

Attaching the Flat Panel to the AM50S Mount..... 10

Adjusting the AM50S Mount Tension..... 11

 Adjusting the Swingout Arm Tension..... 11

 Adjusting the Tilt/Pivot Tension..... 11

AM50S Cable Management..... 12

Technical Specifications..... 13

Warranty..... 14

Weight Limit

Maximum Flat Panel Weight: **50 lbs.**

THE WALL STRUCTURE MUST BE CAPABLE OF SUPPORTING AT LEAST FIVE TIMES THE WEIGHT OF THE FLAT PANEL. IF NOT, THE WALL STRUCTURE MUST BE REINFORCED.

Warning Statements



PRIOR TO THE INSTALLATION OF THIS PRODUCT, THE INSTALLATION INSTRUCTIONS MUST BE READ AND COMPLETELY UNDERSTOOD. KEEP THESE INSTALLATION INSTRUCTIONS IN AN EASILY ACCESSIBLE LOCATION FOR FUTURE REFERENCE.



PROPER INSTALLATION PROCEDURE BY A QUALIFIED SERVICE TECHNICIAN MUST BE FOLLOWED, AS OUTLINED IN THESE INSTALLATION INSTRUCTIONS. FAILURE TO DO SO COULD RESULT IN PROPERTY DAMAGE, SERIOUS PERSONAL INJURY, OR EVEN DEATH.



SAFETY MEASURES MUST BE PRACTICED AT ALL TIMES DURING THE ASSEMBLY OF THIS PRODUCT. USE PROPER SAFETY EQUIPMENT AND TOOLS FOR THE ASSEMBLY PROCEDURE TO PREVENT PERSONAL INJURY.



PREMIER MOUNTS DOES NOT WARRANT AGAINST DAMAGE CAUSED BY THE USE OF ANY PREMIER MOUNTS PRODUCT FOR PURPOSES OTHER THAN THOSE FOR WHICH IT WAS DESIGNED OR DAMAGE CAUSED BY UNAUTHORIZED ATTACHMENTS OR MODIFICATIONS, AND IS NOT RESPONSIBLE FOR ANY DAMAGES, CLAIMS, DEMANDS, SUITS, ACTIONS OR CAUSES OF ACTION OF WHATEVER KIND RESULTING FROM, ARISING OUT OF OR IN ANY MANNER RELATING TO ANY SUCH USE, ATTACHMENTS OR MODIFICATIONS.



At least two qualified people should perform the assembly procedure. Personal injury and/or property damage can result from dropping or mishandling the flat panel.



If mounting to wall studs or ceiling studs, make sure that the mounting screws are anchored into the center of the wall studs or ceiling studs. Use of an edge-to-edge stud finder is recommended.



Be aware of the mounting environment. If drilling and/or cutting into the mounting surface, always make sure that there are no electrical wires in wall. Cutting or drilling into an electrical line may cause serious personal injury.



Make sure there are no water or natural gas lines inside the wall where the mount is to be located. Cutting or drilling into a water or gas line may cause severe property damage or personal injury.



This product is intended for indoor use only. Use of this product outdoors could lead to product failure and/or serious personal injury.



Do not install near sources of high heat. Do not install on a structure that is prone to vibration, movement or chance of impact.




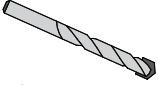
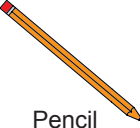
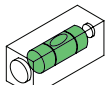
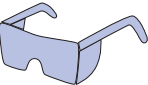

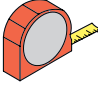

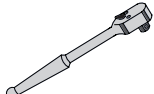
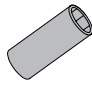


Contact Premier Mounts with any questions:
(800) 368-9700
techsupport@mounts.com



Installation Tools


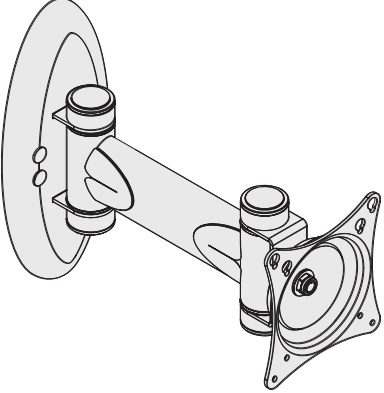


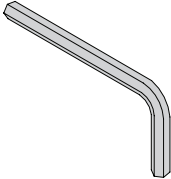
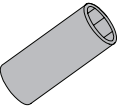
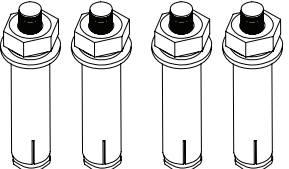
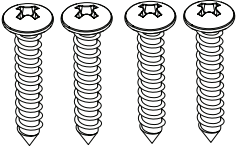
The following tools may be required depending on your installation.

| | | | | | |
|---|--|--|---|--|---|
|  Electronic Stud Finder |  Hand Held Drill |  1/8" Wood Drill Bit |  5/16" Masonry Drill Bit** |  Pencil |  Level |
|  Protective Eyewear |  Hammer** |  Tape Measure |  Phillips Tip Screwdriver |  Socket Wrench |  M10 Socket** |

** Optional tools for concrete installations.

Parts List

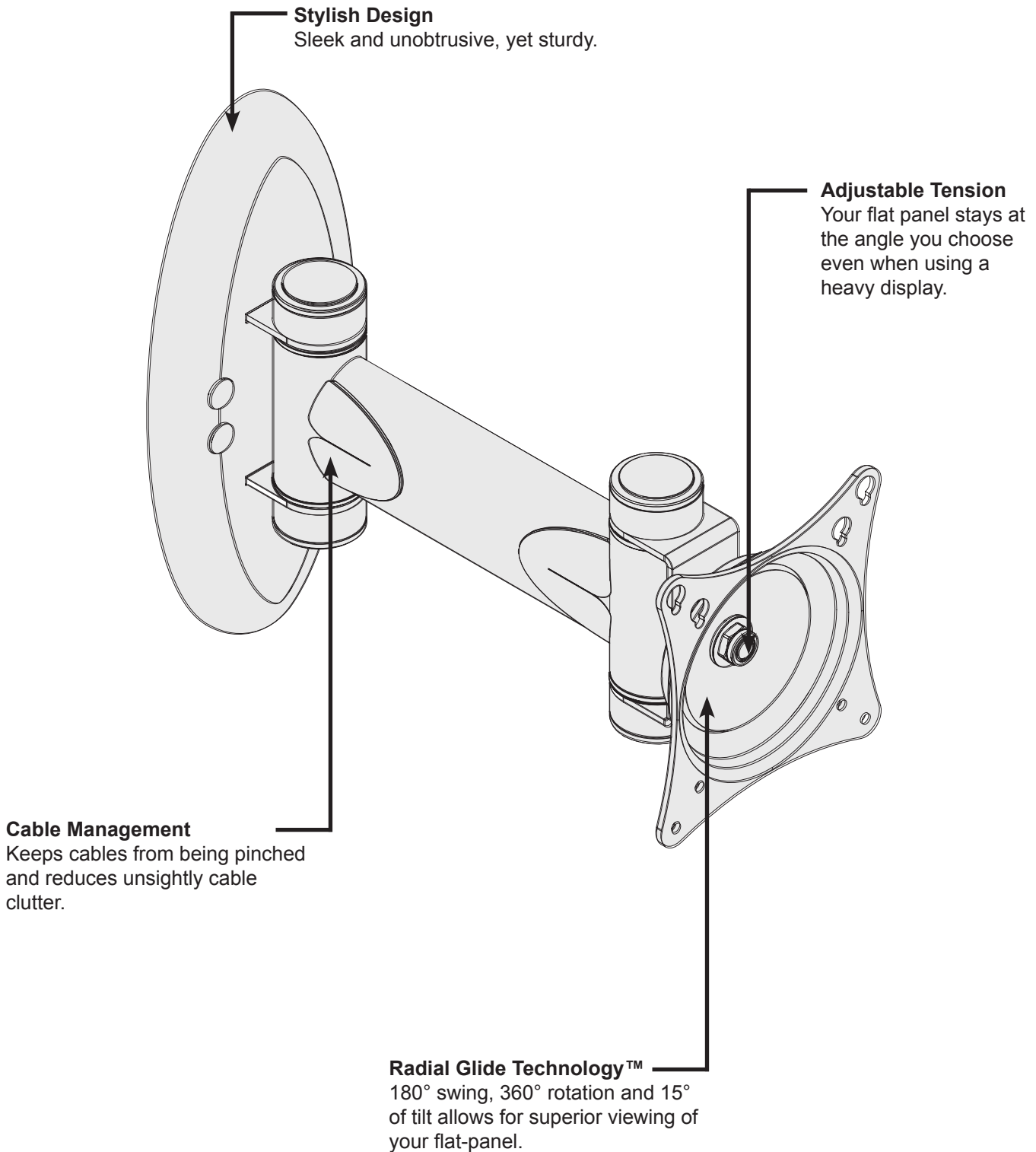
Make sure none of the Premier Mounts parts are missing and/or damaged before beginning installation. If there are, stop the installation and call Premier Mounts at (800) 368-9700.

| AM50S / AM50S-B Components | | | |
|---|--|---|--|
|  Wall Plate (Qty 1) | |  Swingout Arm (Qty 1) | |
|  M4 x 10mm Pan Combo Screw (Qty 4) |  M4 x 12mm Pan Combo Screw (Qty 4) |  M3 Allen Wrench (Qty 1) |  14mm Socket (Qty 1) |
|  5/16" Concrete Wedge Anchors (Qty 4) | |  #14 x 2" Wood Screws (Qty 4) | |



Features

The AM50S VESA Swingout Mount packs many features that make it one of the best mounts for flat-panels up to 32". The sleek and unobtrusive AM50S uses 75 x 75 mm 100 x 100mm VESA mounting patterns to fit a majority of flat-panels. For the optimal viewing angle, adjust the mount using the attachment head's Radial Glide® feature, which offers up to 15° of smooth adjustment in any direction, and/or extend the swingout arm up to 11 inches from the wall. Openings in the mounting arm provide built-in cable management.



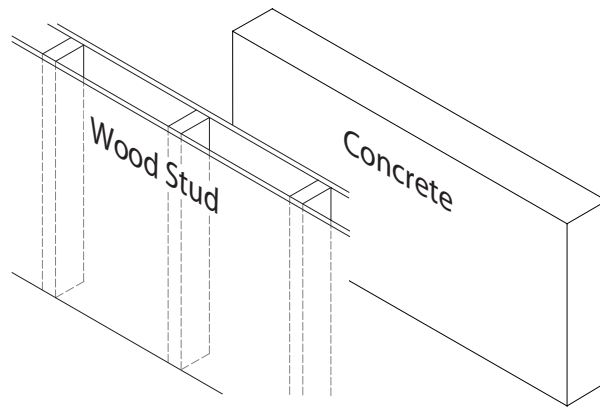


Installing the Wall Plate

Determining the Mounting Surface


If you will be installing your AM50S mount to wood studs, proceed to the “**Wood Stud Installation**” section.

If you will be installing your AM50S mount to a concrete wall, proceed to the “**Concrete Installation**” section.

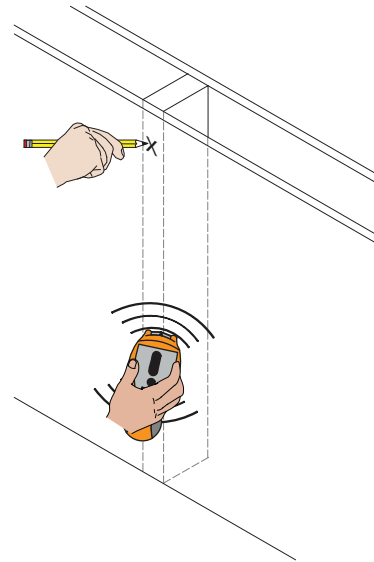


Wood Stud Installation

Step 1

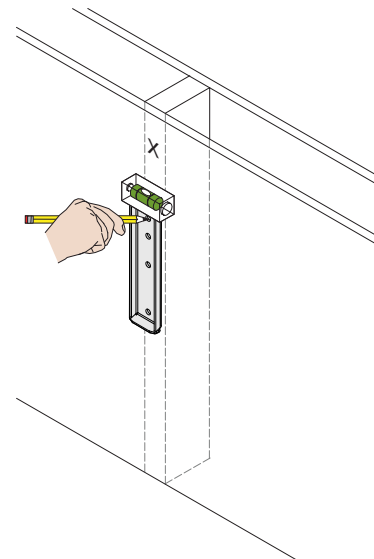
 You must secure the wall plate to the wall stud with all four (4) #14 x 2” wood screws.

- 1 Use a stud finder to determine the exact center of wall studs in the vicinity of the wall plate.
- 2 Use a pencil to mark the exact center of the wall stud where you will be installing your AM50S mount.



Step 2

- 1 Place the wall plate against the wall in the desired viewing location.
- 2 Adjust the wall plate to align the mounting points in the wall plate with the center of the wall stud.
- 3 Level the wall plate.
- 4 Use a pencil to mark all four (4) mount locations along the center of the wall stud.




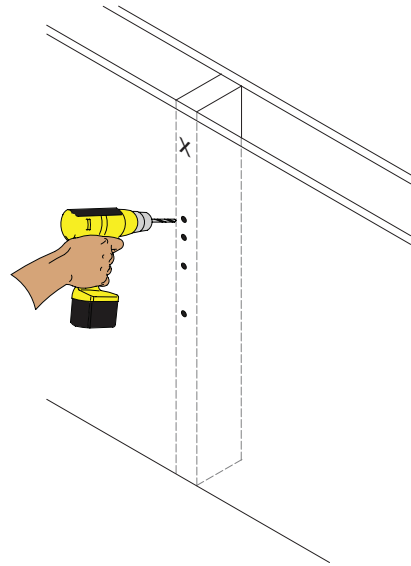


Installing the Wall Plate (cont'd)

Step 3

Drill four (4) holes in the center of each of the marks using a power drill and a 1/8" drill bit.

 Only use a 1/8" drill bit when drilling the holes.

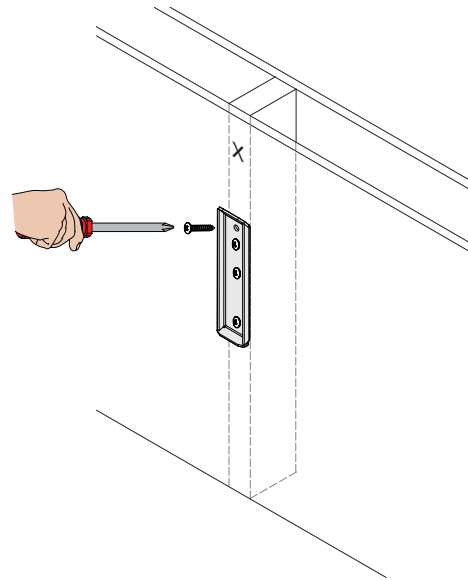


Step 4

- 1 Place the wall plate against the wall and align it with the holes.
- 2 Insert one (1) #14 x 2" wood screw into each of the mounting holes and tighten using a Phillips screwdriver.

 Do not overtighten the wood screws.

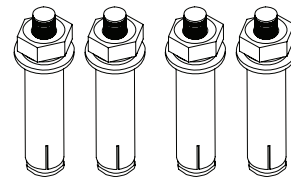
Proceed to the "Mounting Hardware" section.



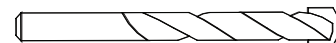
Concrete Installation

 The supplied 5/16" concrete wedge anchors must be used for concrete installation.

You will need a 5/16" masonry drill bit, which is available at your closest hardware store.



Concrete Wedge Anchors



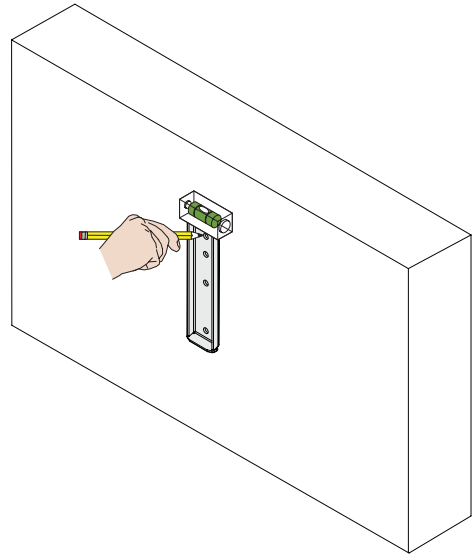
Example of 5/16" Masonry Drill Bit (Not Included)



Installing the Wall Plate (cont'd)

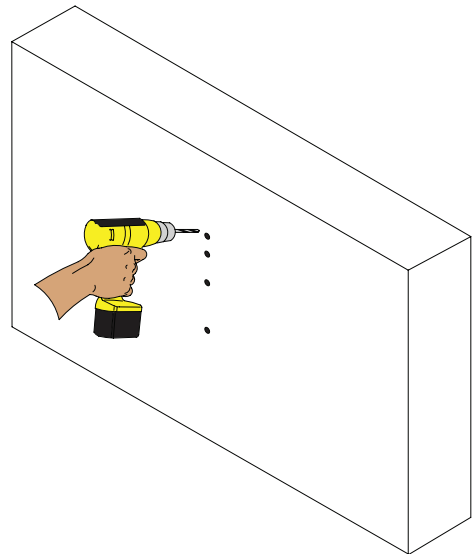
Step 1

- 1 Place the wall plate against the wall in the desired viewing location.
- 2 Level the wall plate.
- 3 Use a pencil and mark all four (4) mounting locations where you will be drilling holes for the concrete wedge anchors.
- 4 Set the wall plate to one side in a safe location.



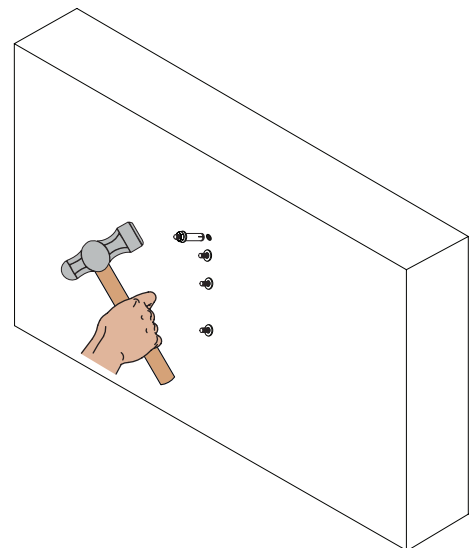
Step 2

Use a power drill and $\frac{5}{16}$ " masonry drill bit to drill a hole at each of the marks.



Step 3

- 1 Insert a concrete wedge anchor into each hole.
If necessary, lightly tap each concrete wedge anchor into place with a hammer.
- 2 Remove the nuts and washers from all four (4) concrete wedge anchors.






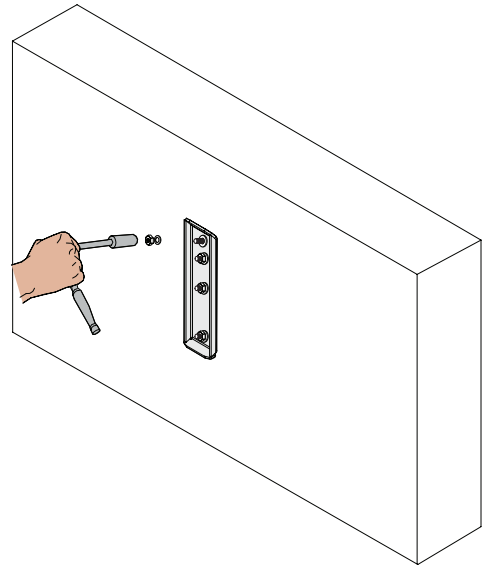
Installing the Wall Plate (cont'd)

Step 4

- 1 Place the wall plate against the wall over the threaded shafts of the concrete wedge anchors.
- 2 Attach the nuts and washers to each of the concrete wedge anchors and tighten using a socket wrench and an M10 socket.

 Do not overtighten the wedge anchor nuts.


Proceed to the “**Mounting Hardware**” section.



Mounting Hardware

Selecting the Mounting Hardware

- 1 Insert a small straw or toothpick into the threaded inserts found on the back of the flat panel.
- 2 Use a pencil to mark the depth of the threaded insert on the small straw or toothpick.
- 3 Mark the straw or toothpick 1/8” above the depth of the threaded insert, as shown in Figure 1.
- 4 Insert the small straw or toothpick into the remaining threaded inserts to compare and verify their depth using the straw or toothpick’s 1/8” allowance mark.
- 5 Locate the correct diameter screw for the threaded insert.

 If the screw you selected is longer than the 1/8” allowance mark on the small straw or toothpick, as shown in Figure 2 and Figure 3, do not use this screw. The screw length must not bypass the mark.

- 6 Test each size of the screws provided.

The correct screws should thread easily into the mounting point and not pull out when tension is applied.

Proceed to the “**Attaching the AM50S Mount to the Wall Plate**” section.

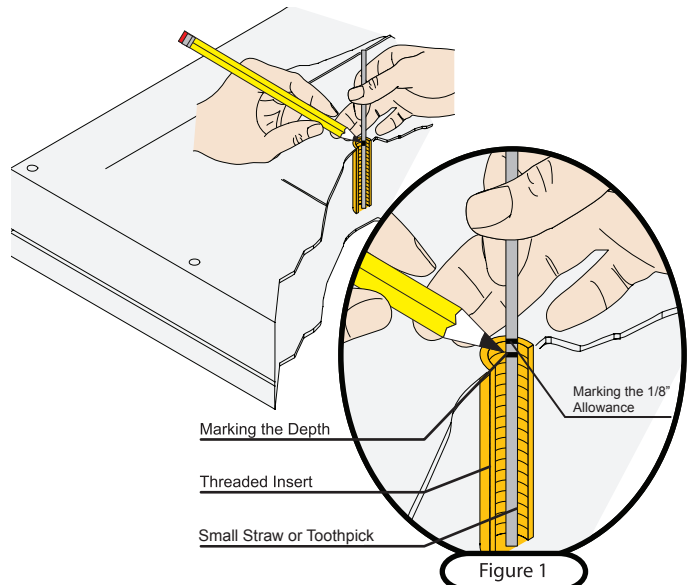


Figure 1

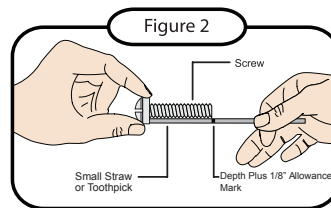


Figure 2

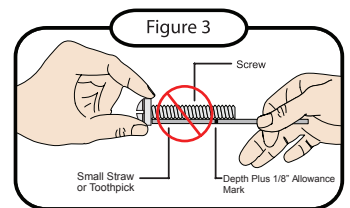



Figure 3



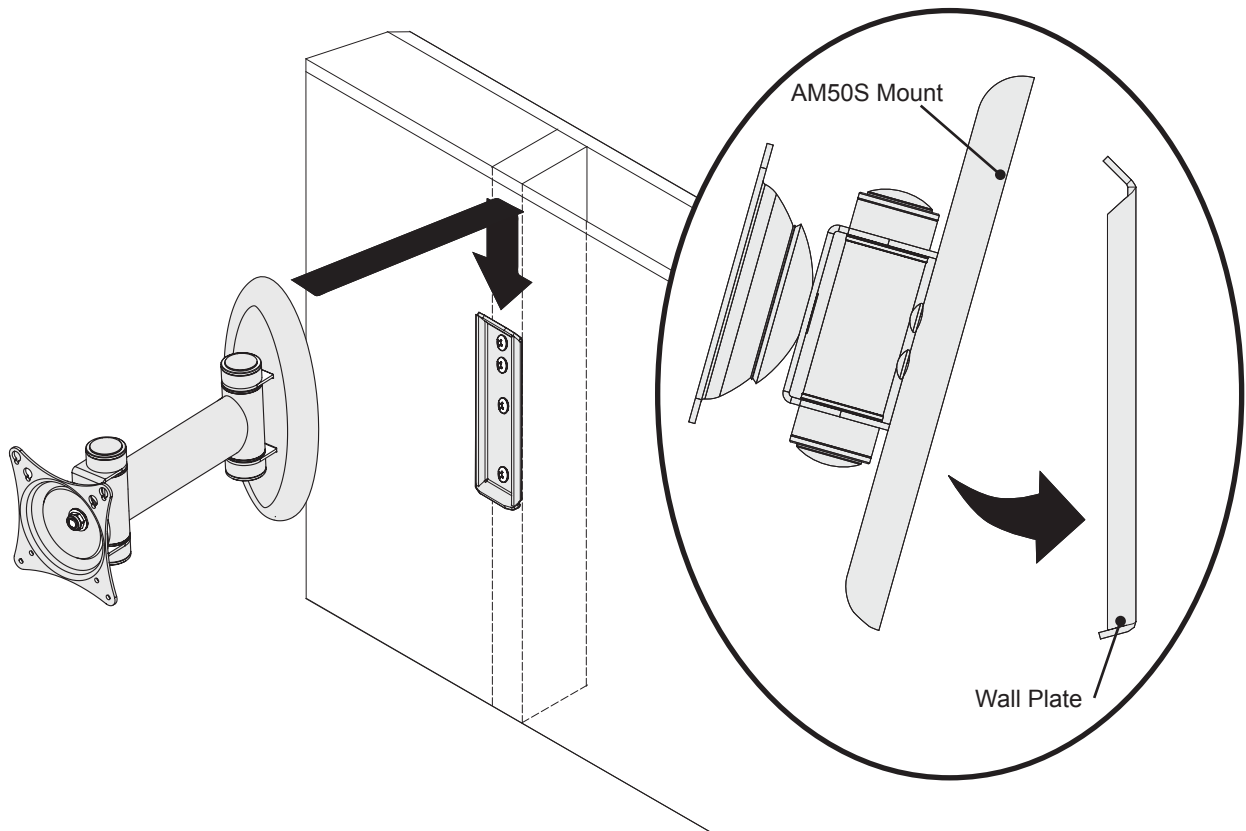
Attaching the AM50S Mount to the Wall Plate

Your AM50S mount must be attached to the back plate that is secured to the wall. The back of your AM50S mount has a built-in bracket designed to “hang” on the wall plate.

- ① Lift your AM50S mount up to the wall plate.
- ② Slide the top of the AM50S mount on to the top of the wall bracket.
- ③ Pivot the bottom of the AM50S mount towards the wall plate until it rests against the wall.

 Do not release the AM50S mount until you are certain that it is resting securely on the wall plate.

Proceed to the “**Securing the AM50S Mount**” section.

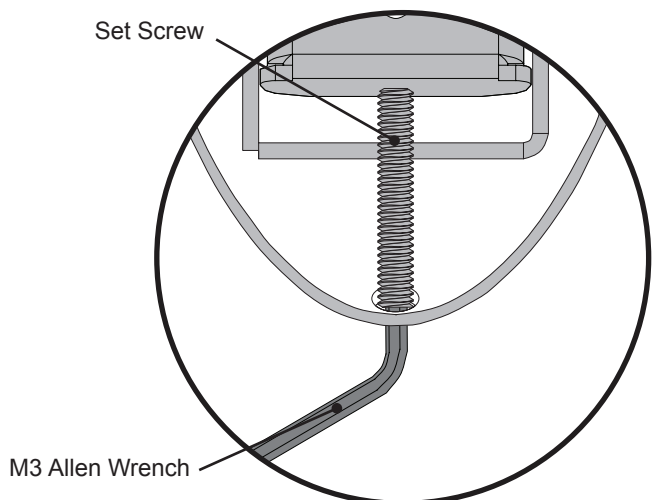


Securing the AM50S Mount

Use the supplied M3 Allen wrench to tighten the M6 x 35mm set screw located in the bottom of the AM50S mount. The M6 x 35mm set screw prevents your flat panel from being accidentally dislodged.

 Do not overtighten the set screw.

Proceed to the “**Attaching the Flat Panel to the AM50S Mount**” section.





Attaching the Flat Panel to the AM50S Mount

- 1 Insert two (2) M4 pan combo screws into the top two mounting points of your flat panel. Thread the M4 screws to one-half of their length into the flat panel, but do not tighten the M4 screws at this time.



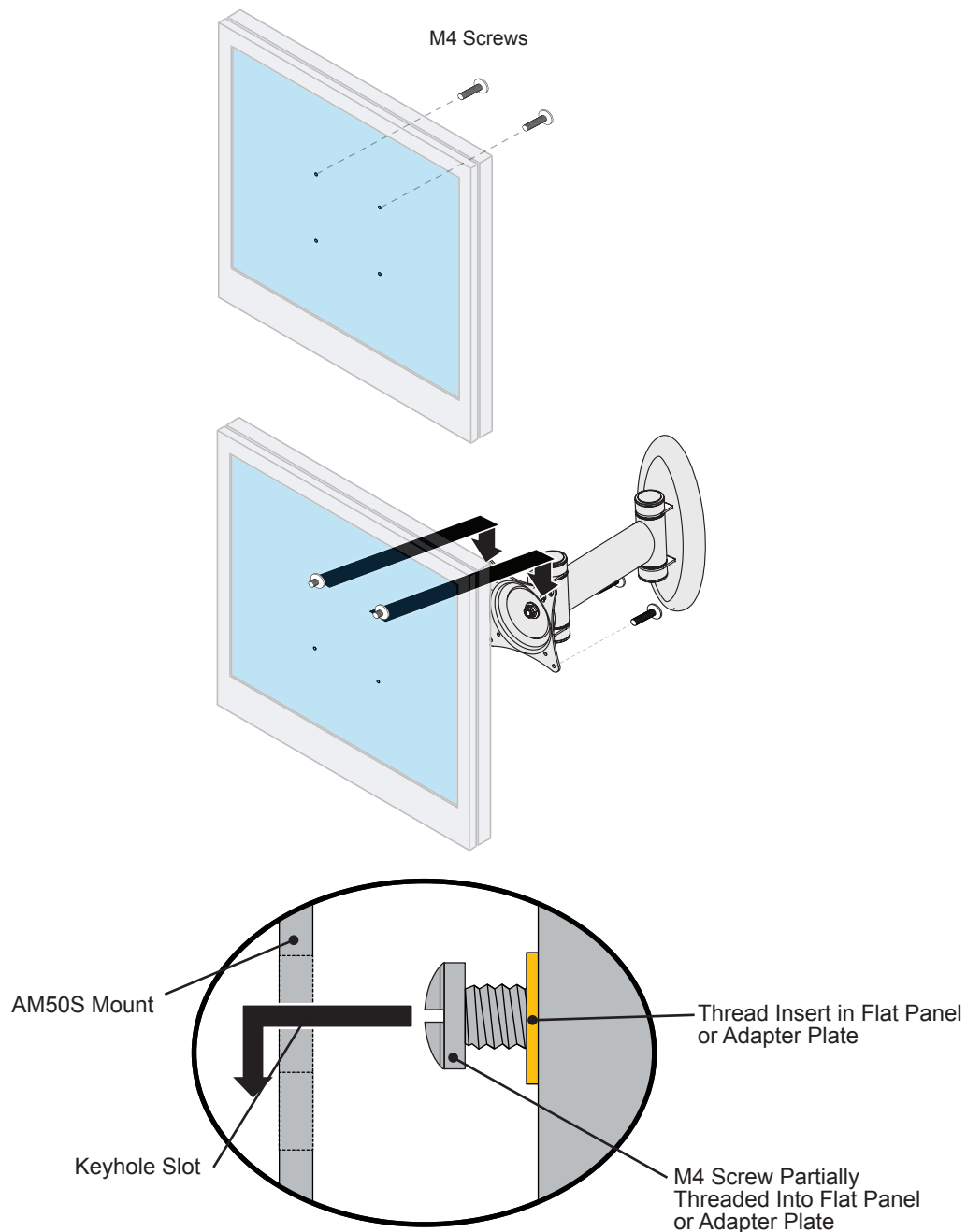
Use either the M4 x 10mm or M4 x 12mm pan combo screws depending on the length needed for the flat-panel.

- 2 Insert the heads of the M4 screws through the keyhole slots.
- 3 Insert two (2) M4 screws into the bottom mounting points.
- 4 Tighten all M4 screws.



Do not overtighten the mounting hardware.

Proceed to the “**Adjusting the AM50S Mount Tension**” section.





Adjusting the AM50S Mount Tension

Adjusting the Swingout Arm Tension

Your AM50S ships from the factory pre-tensioned. However, you can make fine-tune adjustments to how much pressure is required to move each section of the swingout arm by adjusting the joint tension nuts.

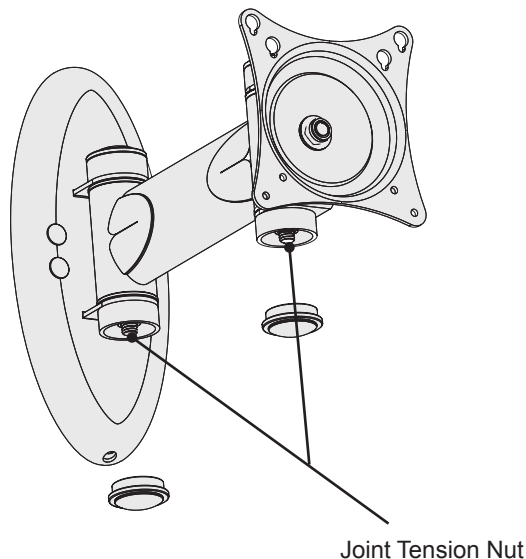
- ❶ Remove the plastic joint caps from the bottom of each of the swingout arm joints.
- ❷ Use a socket wrench and the supplied 14mm socket to loosen or tighten the joint tension nut located on the underside of each swingout arm joint.

Turn the joint tension nut clockwise to increase tension.

Turn the joint tension nut counter-clockwise to decrease tension.

- ⚠ Do not overtighten the joint tension nuts.
- ⚠ Do not completely remove the joint tension nuts.

- ❸ Replace the plastic joint caps.



Adjusting the Tilt/Pivot Tension

You can adjust the tension of the Radial Glide™ flat panel attachment head by adjusting the tilt/pivot tension nut.

- ❶ Attach the M3 Allen wrench to the supplied 14mm socket using the side hole in the socket.
- ❷ Use the wrench and socket to loosen or tighten the tilt/pivot tension nut.

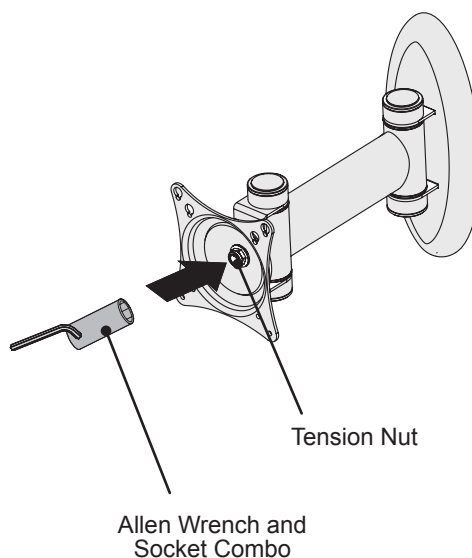
Turn the tilt/pivot tension nut clockwise to increase tension.

Turn the tilt/pivot tension nut counter-clockwise to decrease tension.

- ⚠ **Caution!** Loosening the tilt/pivot tension nut too much may cause the flat panel to suddenly tilt forward.
- ⚠ Do not overtighten the tilt/pivot tension nut.
- ⚠ Do not completely remove the tilt/pivot tension nut.

- ❸ Replace the plastic tilt/pivot cap.

Proceed to the “**AM50S Cable Management**” section.



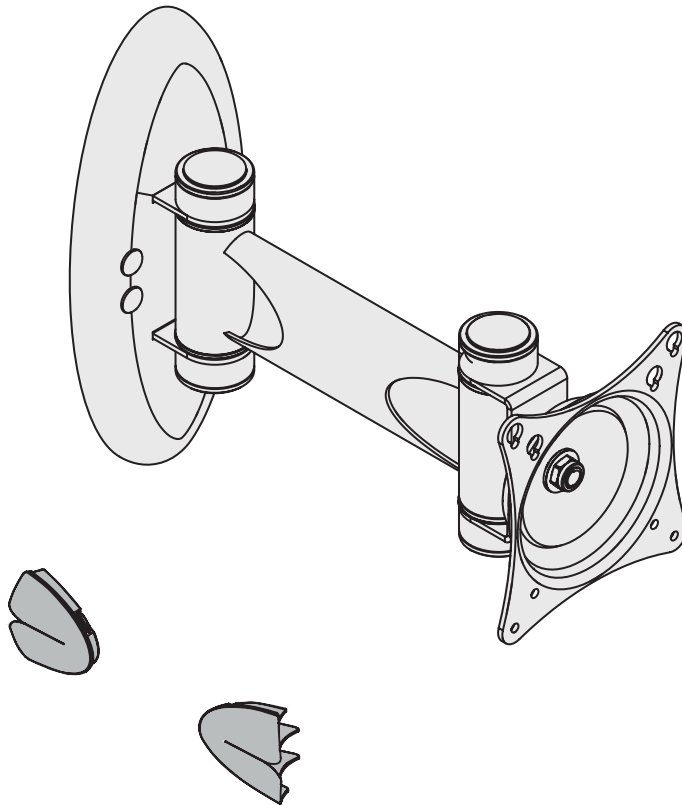


AM50S Cable Management

Your AM50S features built-in cable management.

- 1 Remove the two plastic covers.
- 2 Route power or signal cables as shown.
- 3 Re-attach the two plastic covers.

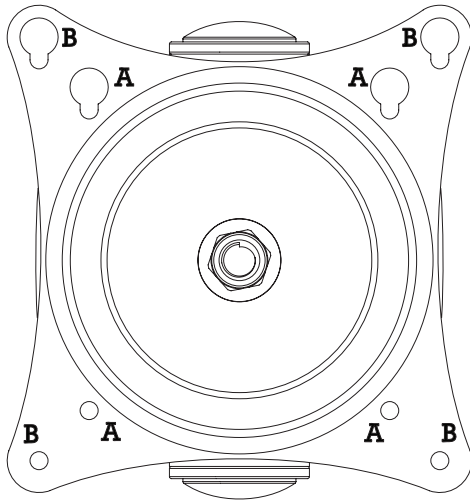
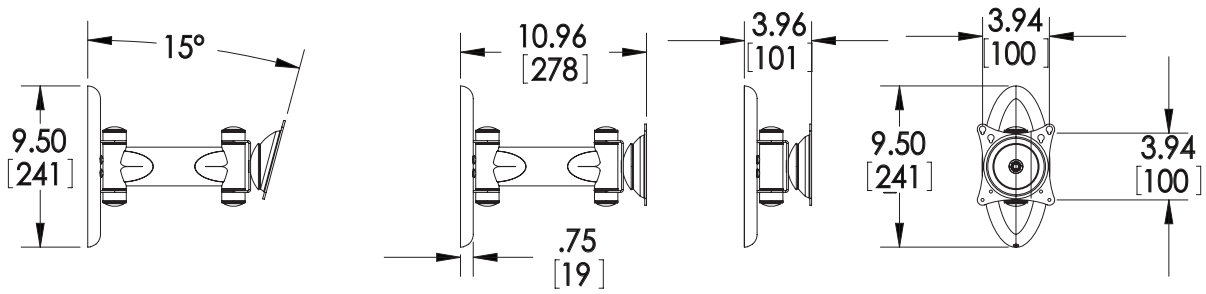
The V-shape in the plastic covers allows power and signal cables to emerge from your AM50S while maintaining a clean appearance.





Technical Specifications

All measurements are in inches [millimeters].



- A: 75mm x 75mm VESA mounting points.
- B: 100mm x 100mm VESA mounting points.



Warranty

PREMIER MOUNTS LIMITED LIFETIME WARRANTY

What and Who is Covered by this Limited Warranty and for How Long

Premier Mounts warrants this product to be free from defects in material and workmanship for the lifetime of the original owner of this product. The limited warranty is valid only for the original purchaser of the product.

What Premier Mounts Will Do

At the sole option of Premier Mounts, Premier Mounts will repair or replace any product or product part that is defective. If Premier Mounts chooses to replace a defective product or part, a replacement product or part will be shipped to you at no charge, but you must pay any labor costs.

What is Not Covered; Limitations

PREMIER MOUNTS DISCLAIMS ANY LIABILITY FOR DAMAGE TO MOUNTS, ADAPTERS, DISPLAYS, PROJECTORS, OTHER PROPERTY, OR PERSONAL INJURY RESULTING, IN WHOLE OR IN PART, FROM IMPROPER INSTALLATION, MODIFICATION, USE OR MISUSE OF ITS PRODUCTS.

PREMIER MOUNTS DISCLAIMS ALL OTHER WARRANTIES, EXPRESS OR IMPLIED, INCLUDING WARRANTIES OF MERCHANTABILITY AND FITNESS FOR A PARTICULAR PURPOSE. PREMIER MOUNTS IS NOT RESPONSIBLE FOR INCIDENTAL OR CONSEQUENTIAL DAMAGES, INCLUDING BUT NOT LIMITED TO, INABILITY TO USE ITS PRODUCTS OR LABOR COSTS FOR REMOVING AND REPLACING DEFECTIVE PRODUCTS OR PARTS. SOME STATES DO NOT ALLOW THE EXCLUSION OR LIMITATION OF INCIDENTAL OR CONSEQUENTIAL DAMAGES, SO THE ABOVE LIMITATION OR EXCLUSION MAY NOT APPLY TO YOU.

What Customers Must Do for Limited Warranty Service

If you discover a problem that you think may be covered by the warranty you MUST REPORT it in writing to the address below within thirty (30) days. Proof of purchase (an original sales receipt) from the original consumer purchaser must accompany all warranty claims. Warranty claims must also include a description of the problem, the purchaser's name, address, and telephone number. General inquiries can be addressed to Premier Mounts Customer Service at 1-800-368-9700. Warranty claims will not be accepted over the phone or by fax.

Premier Mounts
Attn: Warranty Claim
3130 East Miraloma Ave.
Anaheim, CA 92806

How State Law Applies

THIS WARRANTY GIVES YOU SPECIFIC LEGAL RIGHTS, AND YOU MAY ALSO HAVE OTHER RIGHTS WHICH VARY FROM STATE TO STATE.

Disclaimer

Premier Mounts intends to make this manual accurate and complete. However, Premier Mounts makes no claim that the information contained herein covers all details, conditions or variations, nor does it provide for every possible contingency in connection with the installation or use of this product. The information contained in this document is subject to change without notice or obligation of any kind. Premier Mounts makes no representation of warranty, expressed or implied, regarding the information contained herein. Premier Mounts assumes no responsibility for accuracy, completeness or sufficiency of the information contained in this document.



205 Westwood Ave, Long Branch, NJ 07740
Phone: 866-94 BOARDS (26273) / (732)-222-1511
Fax: (732)-222-7088 | E-mail: sales@touchboards.com