

INW-AM100

In-Wall Box for the AM100 Flat-Panel Mount

Color: Black

Weight	14.32 lb. 6.5 kg
Width	13.60 in. 345 mm
Height	10.76 in. 273.3 mm
Depth	2.95 in. 74.93 mm

Downloads at Mounts.com

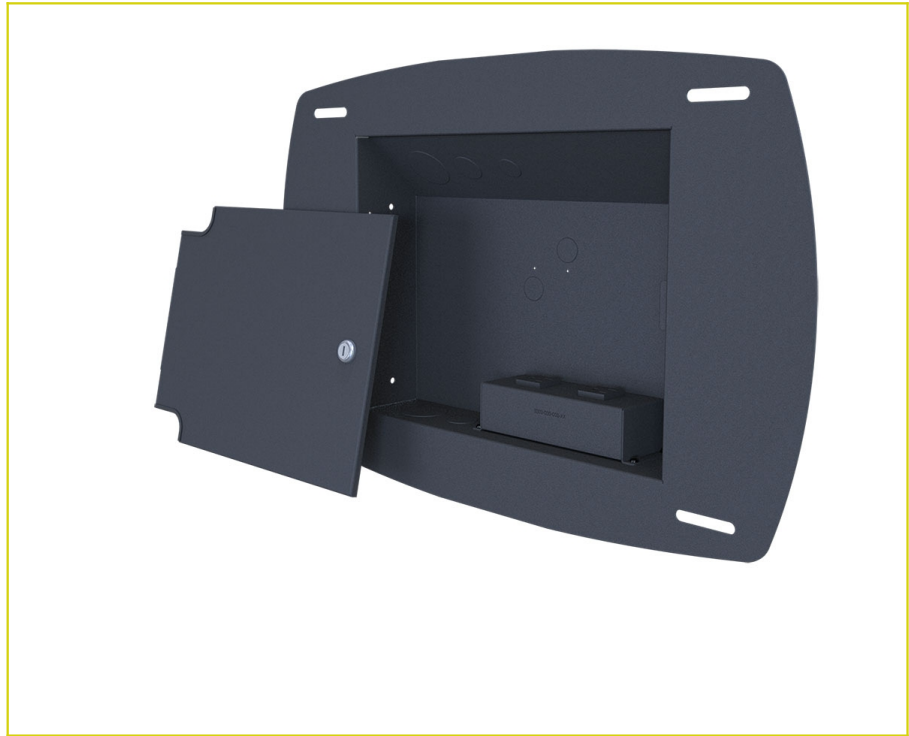
[BID SPEC](#)





[Data Sheet](#)



[Bid Specification Document](#)




+10.76

2.95 in

DESCRIPTION

The INW-AM100 is a recessed, wall mounted storage box for the AM100 swingout mount. Installed with the AM100, the box provides plenty of storage area for cable and power sources, including domestic and international, with cutouts to provide access to run power and signal cables for a clean and concealed look.

FEATURES

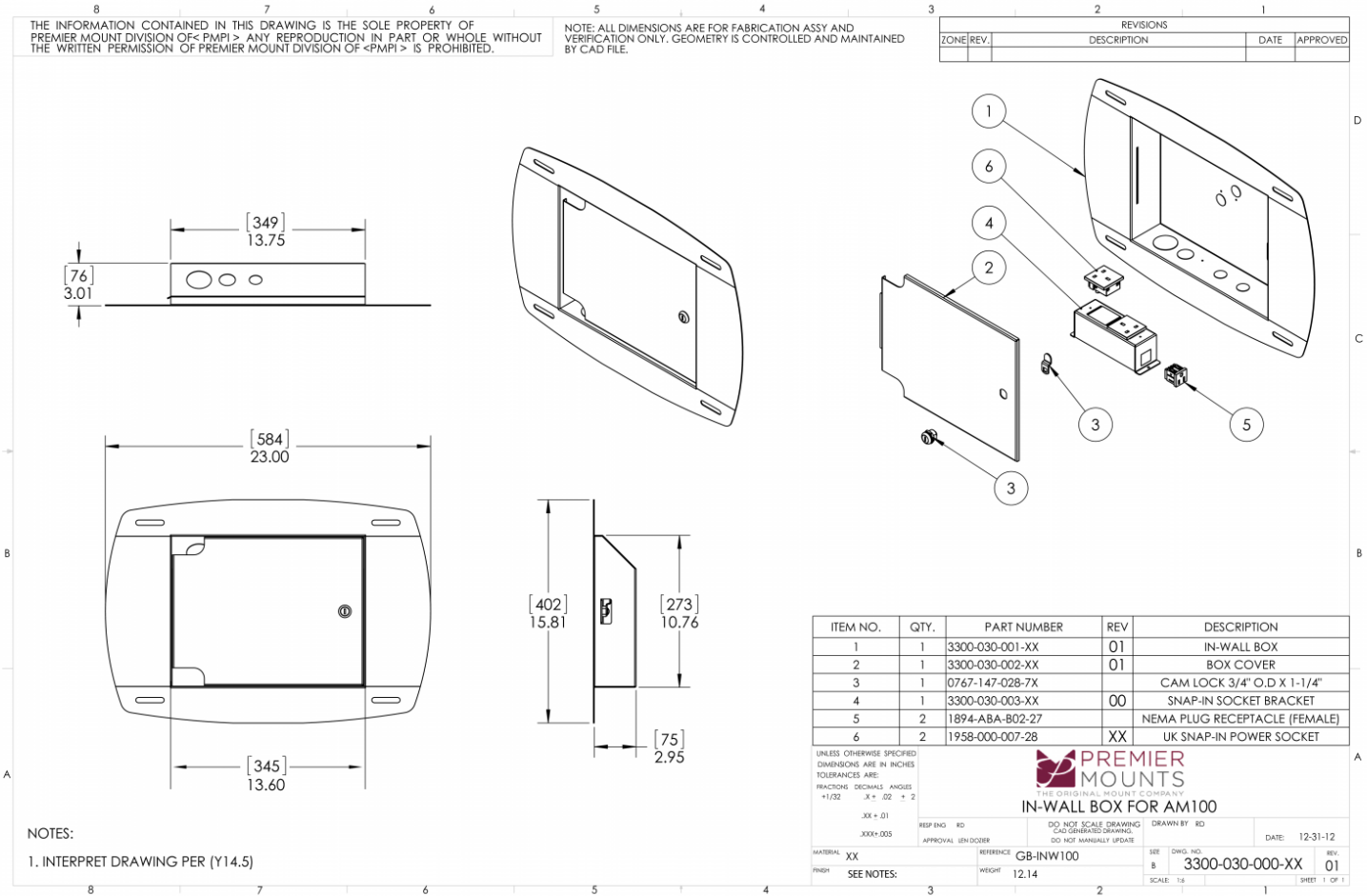
- The INW-AM100 installs with the AM100 ultra-slim swingout mount for recessed storage area for cables, power sources, and other AV or IT equipment
- Nesting for cable and power sources
- Cable routing through cutouts
- Added security with a cover for storage area with lock and key

**LIFETIME
WARRANTY**

INW-AM100

In-Wall Box for the AM100 Flat-Panel Mount

DOWNLOAD FULL SIZE CAD FILES AND DIMENSIONAL DRAWINGS AT MOUNTS.COM



Touchboards

205 Westwood Ave, Long Branch, NJ 07740

Phone: 866-94 BOARDS (26273) / (732)-222-1511

Fax: (732)-222-7088 | E-mail: sales@touchboards.com