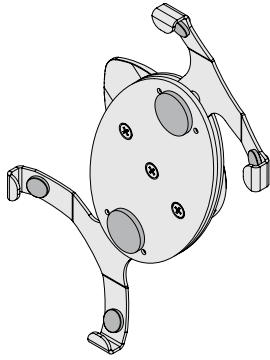




# iPad™ IPM-500 Mounting Frame Installation Instructions



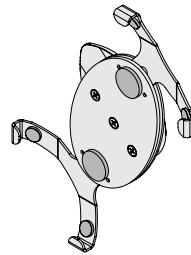
The IPM-500 open mounting frame securely holds the Apple iPad™ or iPad2™ (not included) in place and gives access to all iPad™ controls and connections. Its removeable wall mount plate may be installed on any single stud surface, and provides 360° rotation for landscape or portrait placement.



## Touchboards

205 Westwood Ave, Long Branch, NJ 07740  
Phone: 866-94 BOARDS (26273) / (732)-222-1511  
Fax: (732)-222-7088 | E-mail: sales@touchboards.com

### Parts List



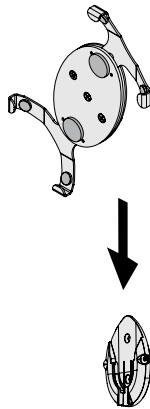
IPM-500  
(Qty 1)



#8 x 1 1/4" Wood Screw  
(Qty 2)

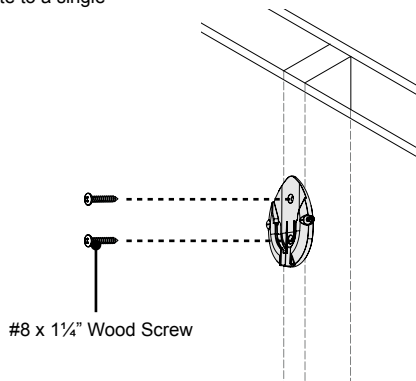
### Step 1

Remove the wall plate from the IPM-500.



### Step 2

Use two (2) #8 x 1 1/4" wood screws to attach the wall plate to a single wood stud.



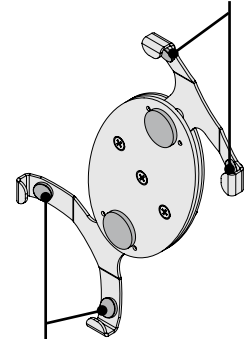
### Step 3

**?** Are you installing an original iPad™ or iPad2™ to the IPM-500?

If an **original iPad™**, remove the corner felt pads on the IPM-500. Then continue to step 4 below.

If an **iPad2™**, continue to step 4 below.

Remove if using original iPad™

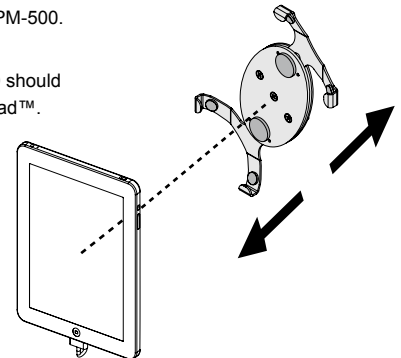


Remove if using original iPad™

### Step 4

- 1 Extend the arms of the IPM-500.
- 2 Insert the iPad™ in the IPM-500.

Each arm of the IPM-500 should fit over a corner of the iPad™.



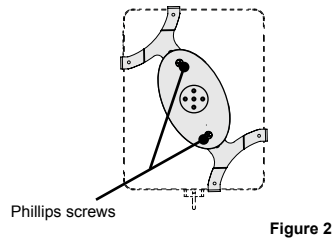
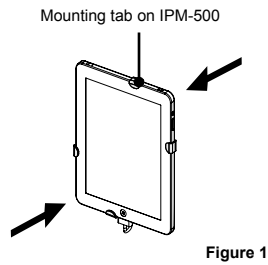
• All trademarks are the property of the respective trademark owners.



## IPM-500 Installation Instructions (cont'd)

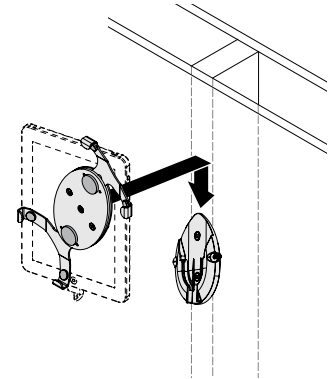
### Step 5

- 1 Adjust the arms on the IPM-500 so that the iPad™ fits snugly inside the mount (Figure 1).
- 2 Tighten the two (2) pre-installed Phillips screws on the back of the IPM-500 to secure the arms (Figure 2).



### Step 6

- 1 Insert the IPM-500 into the wall plate.
- 2 Rotate the mount to the desired landscape or portrait position.
- 3 Tighten the two (2) pre-installed M4 x 16mm pan combo screws on the sides of the wall plate.



# Touchboards

205 Westwood Ave, Long Branch, NJ 07740

Phone: 866-94 BOARDS (26273) / (732)-222-1511

Fax: (732)-222-7088 | E-mail: [sales@touchboards.com](mailto:sales@touchboards.com)