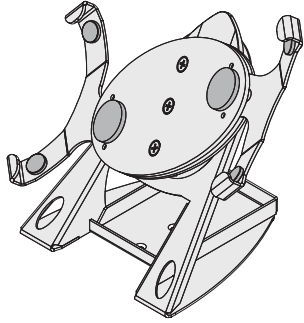




iPad™ IPM-530 Tabletop Stand and Wall Mount Installation Instructions

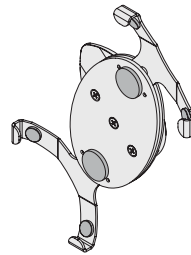


The IPM-530 tabletop stand and wall mount securely holds the Apple iPad™ or iPad2™ (not included) in place and gives access to all iPad™ controls and connections. Attach the removeable back plate to the base, then rotate the mount for landscape or portrait placement. The mounting base can be placed freely on a tabletop, or drilled into it with wood screws. The base can also be mounted to a wood stud or surface..

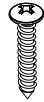


205 Westwood Ave, Long Branch, NJ 07740
Phone: 866-94 BOARDS (26273) / (732)-222-1511
Fax: (732)-222-7088 | E-mail: sales@touchboards.com

Parts List



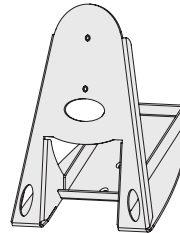
iPad™ Frame (Qty 1)



#8 x 1 1/4" Wood Screw (Qty 4)



10-32 x 1/4" Flat Phillips Screw (Qty 2)



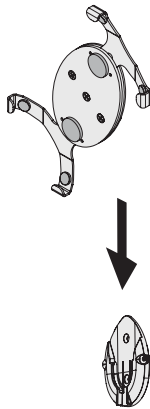
IPM-530 Mounting Base (Qty 1)



Push-In Rivet (Qty 4)

Step 1

Remove the back plate from the iPad™ frame.



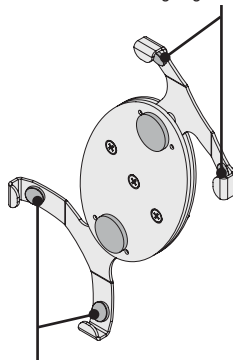
Step 2

? Are you installing an original iPad™ or iPad2™ to the IPM-530?

If an **original iPad™**, remove the corner felt pads on the iPad™ frame. Then continue to step 3.

If an **iPad2™**, continue to step 3.

Remove if using original iPad™



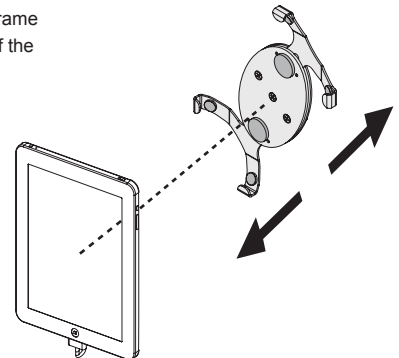
Remove if using original iPad™

Step 3

- 1 Extend the arms of the iPad™ frame.
- 2 Insert the iPad™ in the iPad™ frame.

Each arm of the iPad™ frame should fit over a corner of the iPad™.

Continue to **Step 4** on page 2.



• All trademarks are the property of the respective trademark owners.



IPM-530 Installation Instructions (cont'd)

Step 4

- 1 Adjust the arms on the iPad™ frame so that the iPad™ fits snugly inside the mount (Figure 1).
- 2 Tighten the two (2) pre-installed Phillips screws on the back of the iPad™ frame to secure the arms (Figure 2).

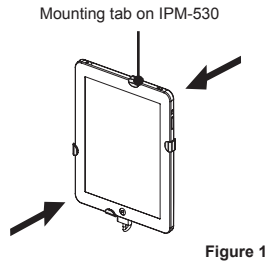


Figure 1

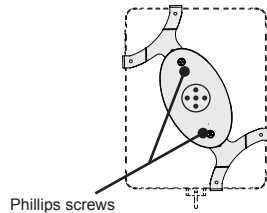


Figure 2

Step 5

? Are you using the IPM-530 as a tabletop or wall mount?

If **tabletop mount**, use two (2) 10-32 x 1/4" flat Phillips screws to attach the back plate (pointed side **up**) to the mounting base (Figure 1).

If **wall mount**, use two (2) 10-32 x 1/4" flat Phillips screws to attach the back plate (pointed side **down**) to the mounting base (Figure 2).

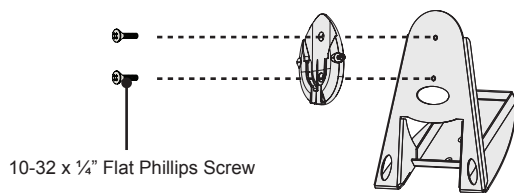


Figure 1

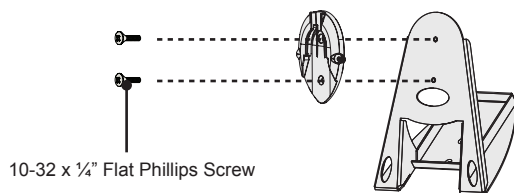


Figure 2

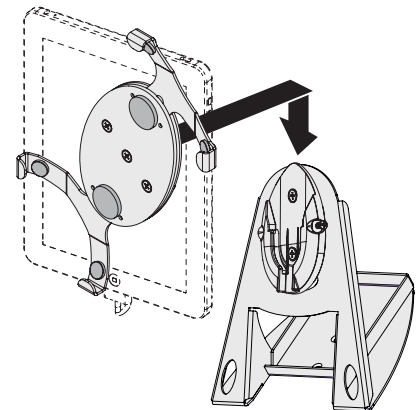
Step 6

Choose one of the following installation options:

- If freestanding tabletop mount, continue to **Freestanding Tabletop Installation** below.
- If swivel tabletop mount, go to **Swivel Tabletop Installation** on page 3.
- If wood stud installation, go to **Wood Stud Installation** on page 3.
- If wood surface installation, go to **Wood Surface Installation** on page 4.

Freestanding Tabletop Installation

- 1 Insert the iPad™ frame into the back plate on the mounting base.
- 2 Rotate the mount to the desired landscape or portrait position.
- 3 Tighten the two (2) pre-installed M4 x 16mm pan combo screws on the sides of the back plate.





IPM-530 Installation Instructions (cont'd)

Swivel Tabletop Installation

- 1 Replace the bumpers on the bottom of the mounting base with four (4) push-in rivets (Figure 1).
- 2 Determine where you want to secure the mounting base.
- 3 Insert one (1) #8 x 1/4" wood screw through a bottom screw hole on the mounting base and into the table (Figure 2).
- 4 Insert the iPad™ frame into the back plate on the mounting base (Figure 3).
- 5 Rotate the mount to the desired landscape or portrait position.
- 6 Tighten the two (2) pre-installed M4 x 16mm pan combo screws on the sides of the back plate.

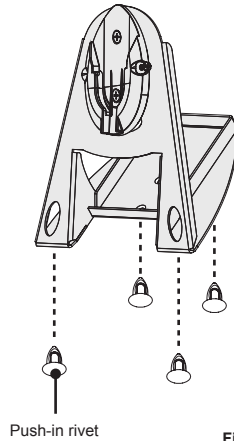


Figure 1

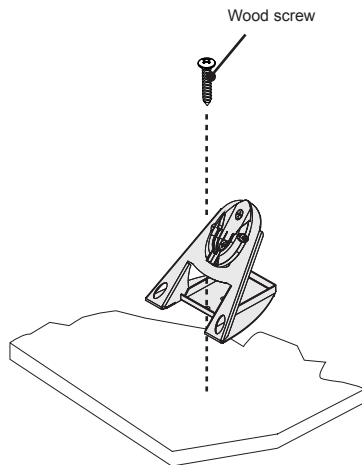


Figure 2

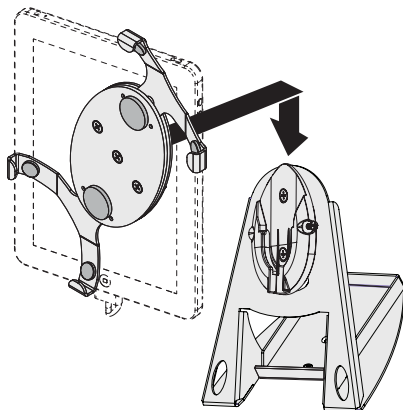


Figure 3

Wood Stud Installation

- 1 Determine where you want to attach the mounting base to the wood stud.
- 2 Insert two (2) #8 x 1/4" wood screws through the bottom screw holes on the mounting base and into the stud (Figure 1).
- 4 Insert the iPad™ frame into the back plate on the mounting base (Figure 2).
- 5 Rotate the mount to the desired landscape or portrait position.
- 6 Tighten the two (2) pre-installed M4 x 16mm pan combo screws on the sides of the back plate.

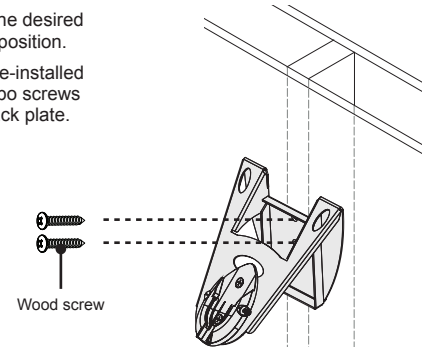


Figure 1

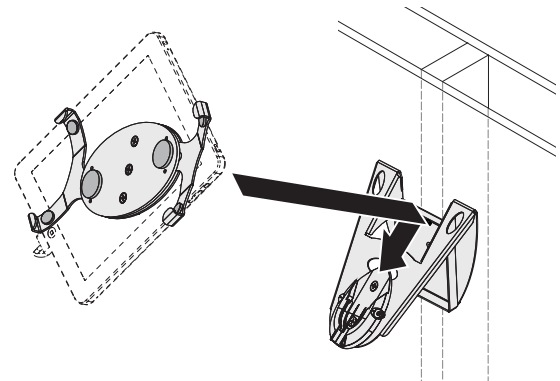



Figure 2



IPM-530 Installation Instructions (cont'd)

Wood Surface Installation

- 1 Determine where you want to attach the mounting base to the wood surface.
 - 1 Remove the bumpers from the bottom of the mounting base.
 - 2 Insert four (4) #8 x 1 1/4" wood screws through the corner holes on the mounting base and into the wood surface (Figure 1).
-  The corner holes are where the bumpers used to be.
- 4 Insert the iPad™ frame into the back plate on the mounting base (Figure 2).
 - 5 Rotate the mount to the desired landscape or portrait position.

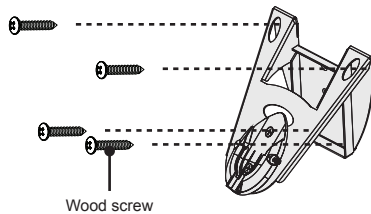


Figure 1

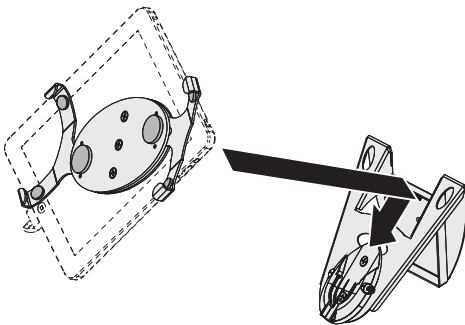
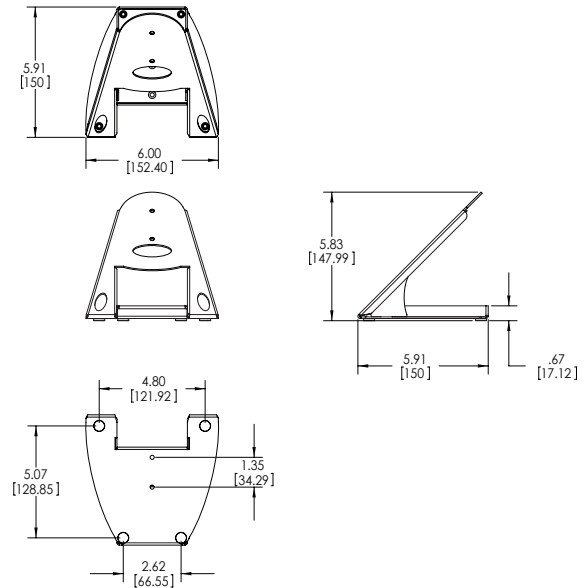


Figure 2

Technical Specifications

All measurements are in inches [millimeters].



205 Westwood Ave, Long Branch, NJ 07740
 Phone: 866-94 BOARDS (26273) / (732)-222-1511
 Fax: (732)-222-7088 | E-mail: sales@touchboards.com