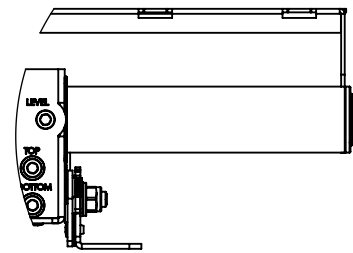
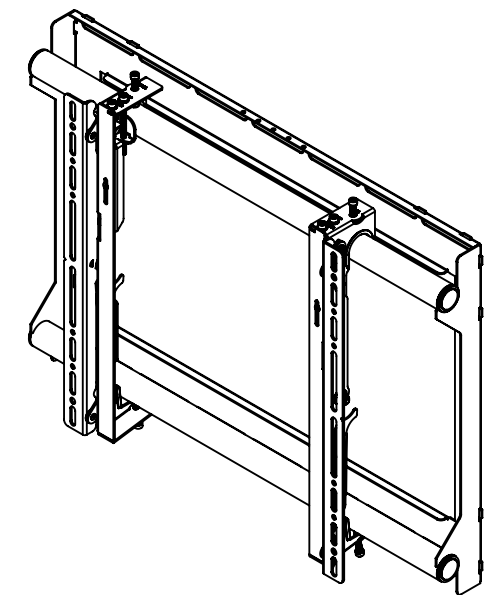


THE INFORMATION CONTAINED IN THIS DRAWING IS THE SOLE PROPERTY OF PREMIER MOUNTS DIVISION OF <PMPI> ANY REPRODUCTION IN PART OR WHOLE WITHOUT THE WRITTEN PERMISSION OF PREMIER MOUNTS DIVISION OF <PMPI> IS PROHIBITED.

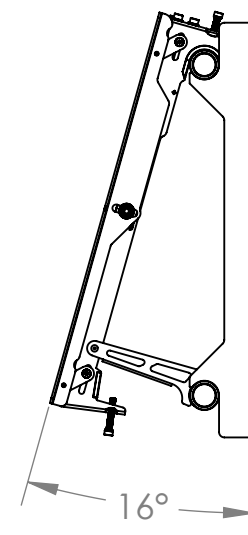
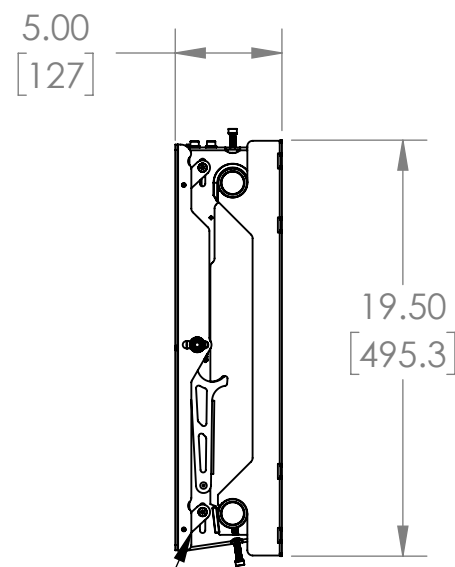
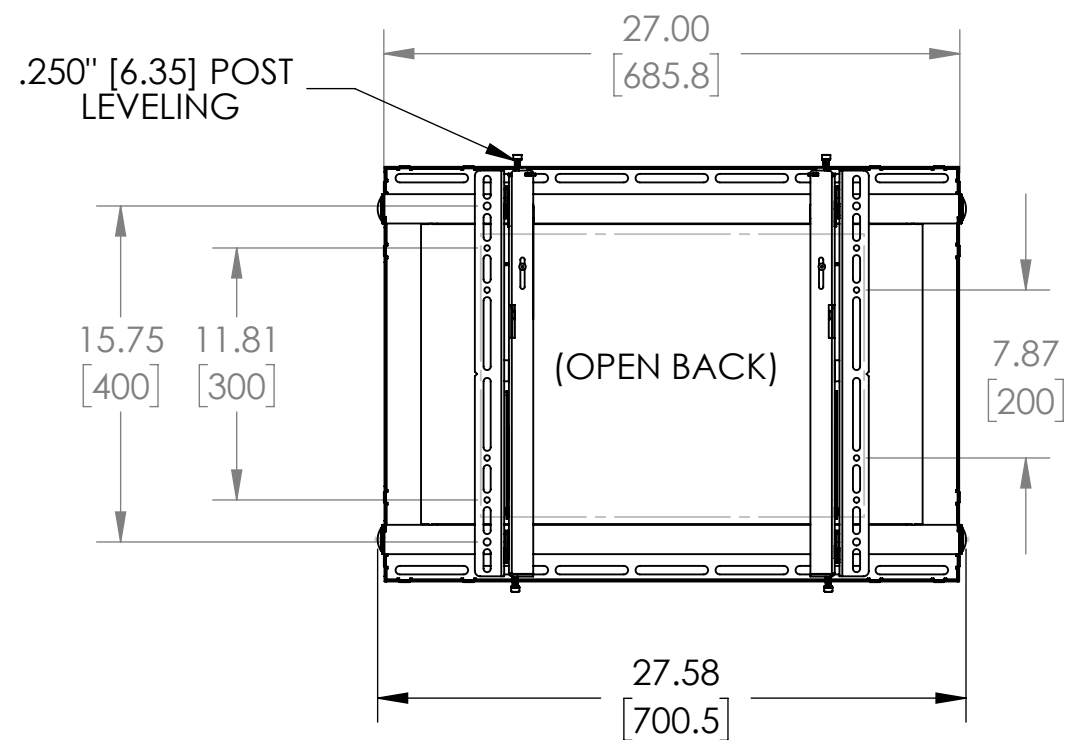
CENTRALIZED ADJUSTMENTS
ALIGN THE DISPLAY ON THE X, Y AND Z PLANE. LOCATED ON TOP OF THE MOUNTING BRACKETS



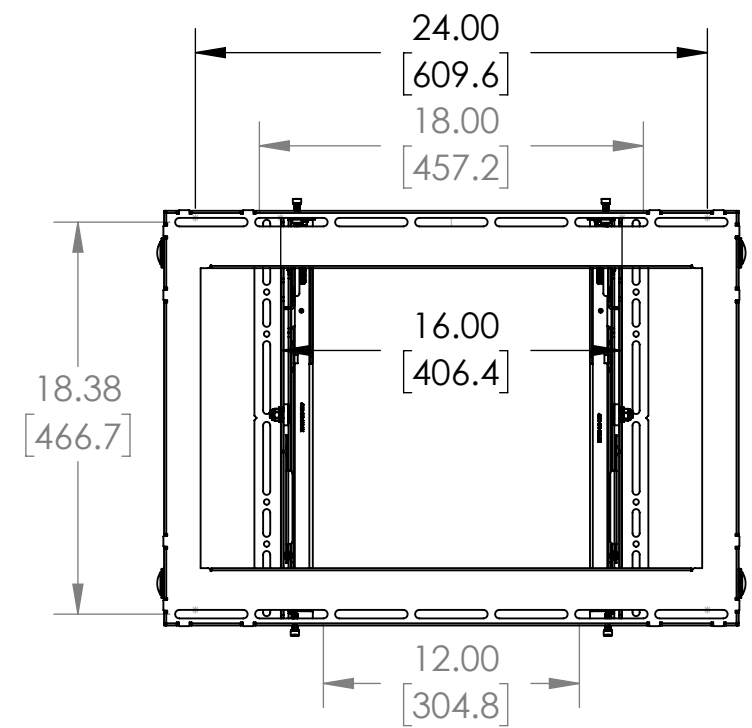
DETAIL A
SCALE 1 : 4



VESA PATTERN
(200X200 MIN - 600 X 400 MAX)



SERVICE POSITION



IN/OUT
ADJUSTMENT $\pm .375"$

DIMENSION ARE IN INCH AND [MM]
MAXIMUM WEIGHT CAPACITY 160 LBS



PREMIER MOUNTS
2620 Palisades Dr.
Corona Ca, 92882
P. 800.368.9700 - F. 800.832.4888

ITEM DESCRIPTION:

FLAT VIDEO WALL MOUNT

SIZE
B

DWG. NO.

LMVF

SCALE: 1:9

SHEET 1 OF 1