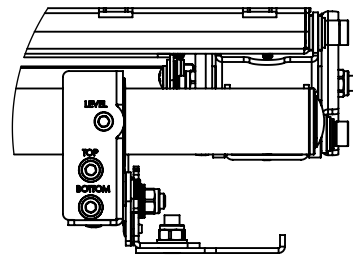


THE INFORMATION CONTAINED IN THIS DRAWING IS THE SOLE PROPERTY OF PREMIER MOUNTS DIVISION OF <PMPI> ANY REPRODUCTION IN PART OR WHOLE WITHOUT THE WRITTEN PERMISSION OF PREMIER MOUNTS DIVISION OF <PMPI> IS PROHIBITED.

**CENTRALIZED ADJUSTMENTS**  
ALIGN THE DISPLAY ON THE X, Y AND Z PLANE. LOCATED ON TOP OF THE MOUNTING BRACKETS



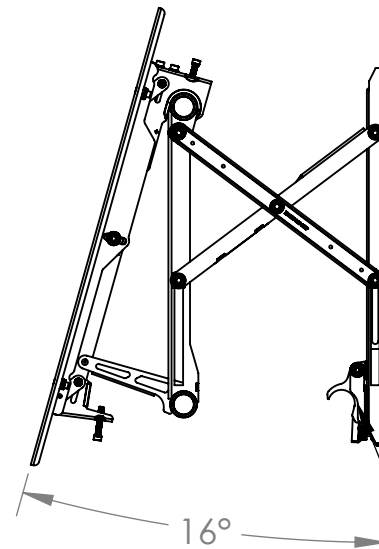
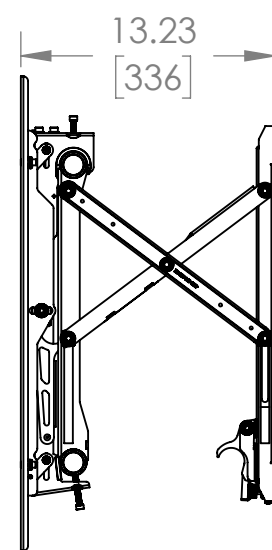
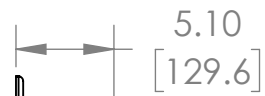
DETAIL B  
SCALE 1 : 4

ADAPTERS COULD BE REMOVED TO EXPOSE MIN VESA BOLT PATTERN

(FULLY COLLAPSED)

(FULLY EXTENDED)

(SERVICE POSITION)

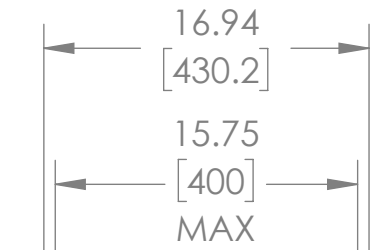
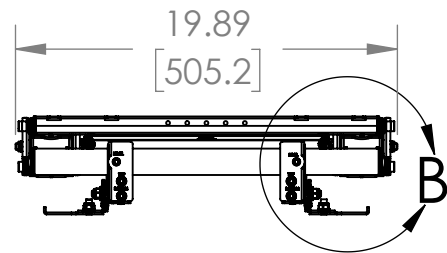
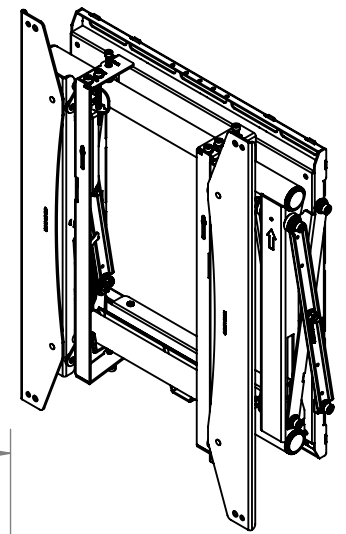


IN/OUT  
ADJUSTMENT ±.375"

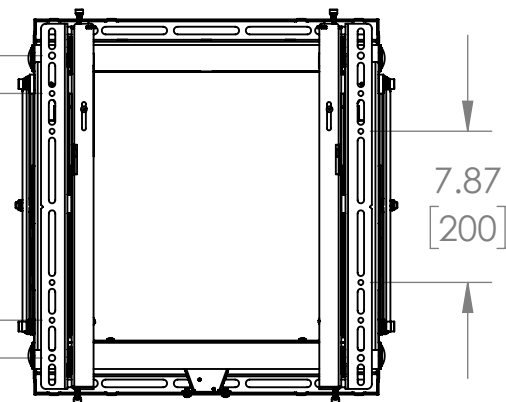
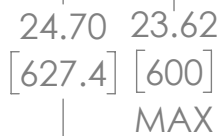
VESA PATTERN  
(200X200 MIN - 400 X 400 MAX)  
WITH EXT. ADAPTER (400 X 600 MAX)

SHOWN WITHOUT  
ADAPTER

DIMENSION ARE IN INCH AND [MM]  
WEIGHT CAPACITY 160 LBS

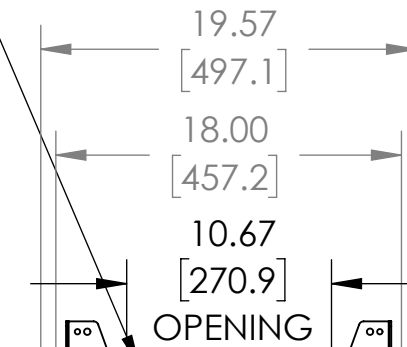


(SHOWN WITH ADAPTERS  
MAX VESA 400 X 600)

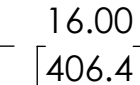
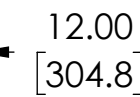
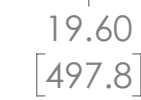
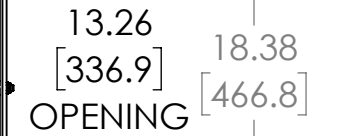


(SHOWN WITHOUT ADAPTERS)

.250" [6.35] POST  
LEVELING



(OPEN  
BACK)



(SINGLE SPRING  
LOADED LATCH)



2620 Palisades Dr.  
Corona Ca, 92882  
P. 800.368.9700 - F. 800.832.4888

ITEM DESCRIPTION:  
PRESS AND RELEASE POP OUT PORTRAIT  
MOUNT

SIZE B DWG. NO. LMVP

SCALE: 1:10 SHEET 1 OF 1