

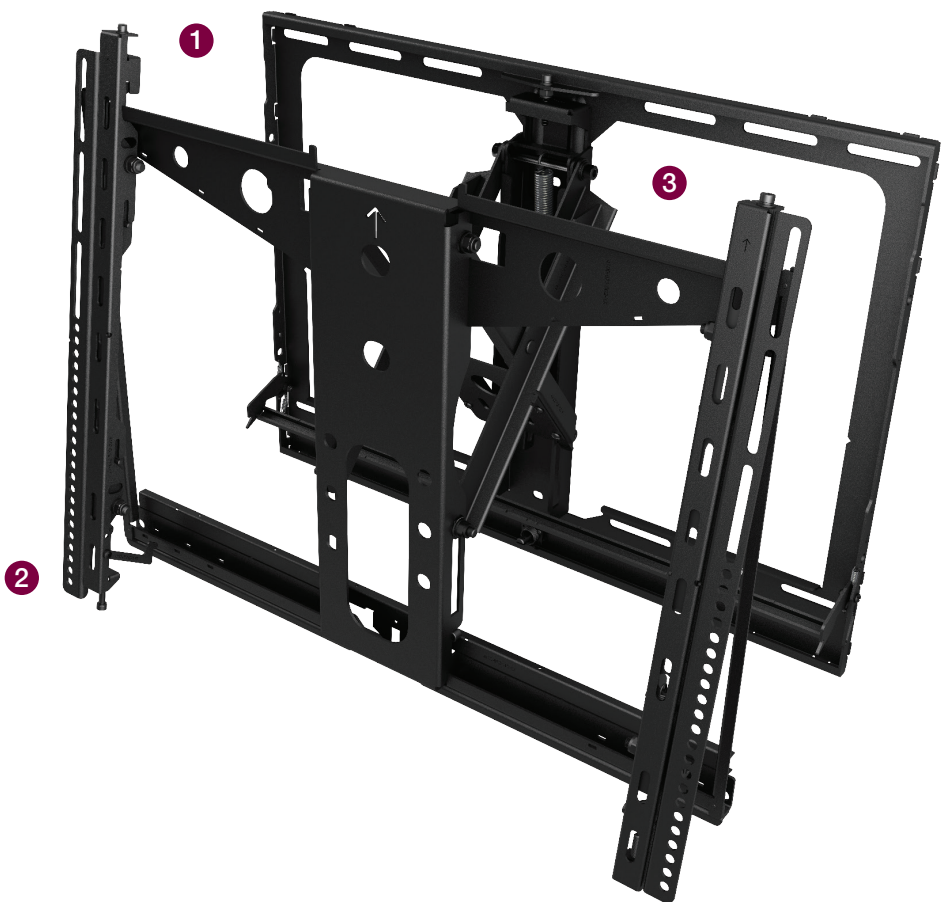
Weight Capacity: 100 lb. | 45.5 kg

Press & Release™ Pop Out Ultra-Slim Mount

Features

- 1 Meets ADA compliance with 1.98" of space from the wall in the closed position
 - 2 Industry's first Press & Release™ Design for easy service access in under 5 seconds with a gentle press to the display
 - 3 Scissor-design with compact mounting arms allows for extension in one smooth motion with a slight press to the display edge
- Top-adjustable fine-tune mounting brackets ensure post-installation alignment using the included Comfort-Grip Ball-Nose Allen driver
 - Service-Position Kickstand offers 7° of clear access to the rear of the display
 - "Click-It" locking feature confirms display is secure through an audible noise
 - Perfect for a variety of recessed wall or picture-framed digital signage applications

The LMVS Press & Release™ Pop Out Ultra-Slim Mount meets ADA compliance for a variety of video wall, recessed wall, and picture-framed digital signage applications. It works for displays weighing up to 100 lb./45.4 kg with a mounting pattern of 200 x 200mm (min) to 600 x 400mm (max). The LMVS features the industry's first Press & Release™ Design, custom spacers, top adjustable mounting brackets and scissor design for smooth extension.



Press & Release™ Design offers easy service access in under 5 seconds



ADA compliant with only 1.98" from the wall in the closed position



Features a spring-loaded mechanism for flat panel maintenance

Press & Release™ Pop Out Ultra-Slim Mount

LMVS




Specifications

Weight 36 lb. 16.4 kg	Color Black	Weight Capacity / Mount 100 lb. 45.5 kg	Mounting Pattern 200 x 200 mm (Min) x 600 x 400 mm (Max)
Width x Height x Depth 27 x 21.6 x 1.98-10.03 in. 686 x 549 x 50-255 mm		Total Weight Capacity 100 lb. 45.5 kg	Warranty Lifetime

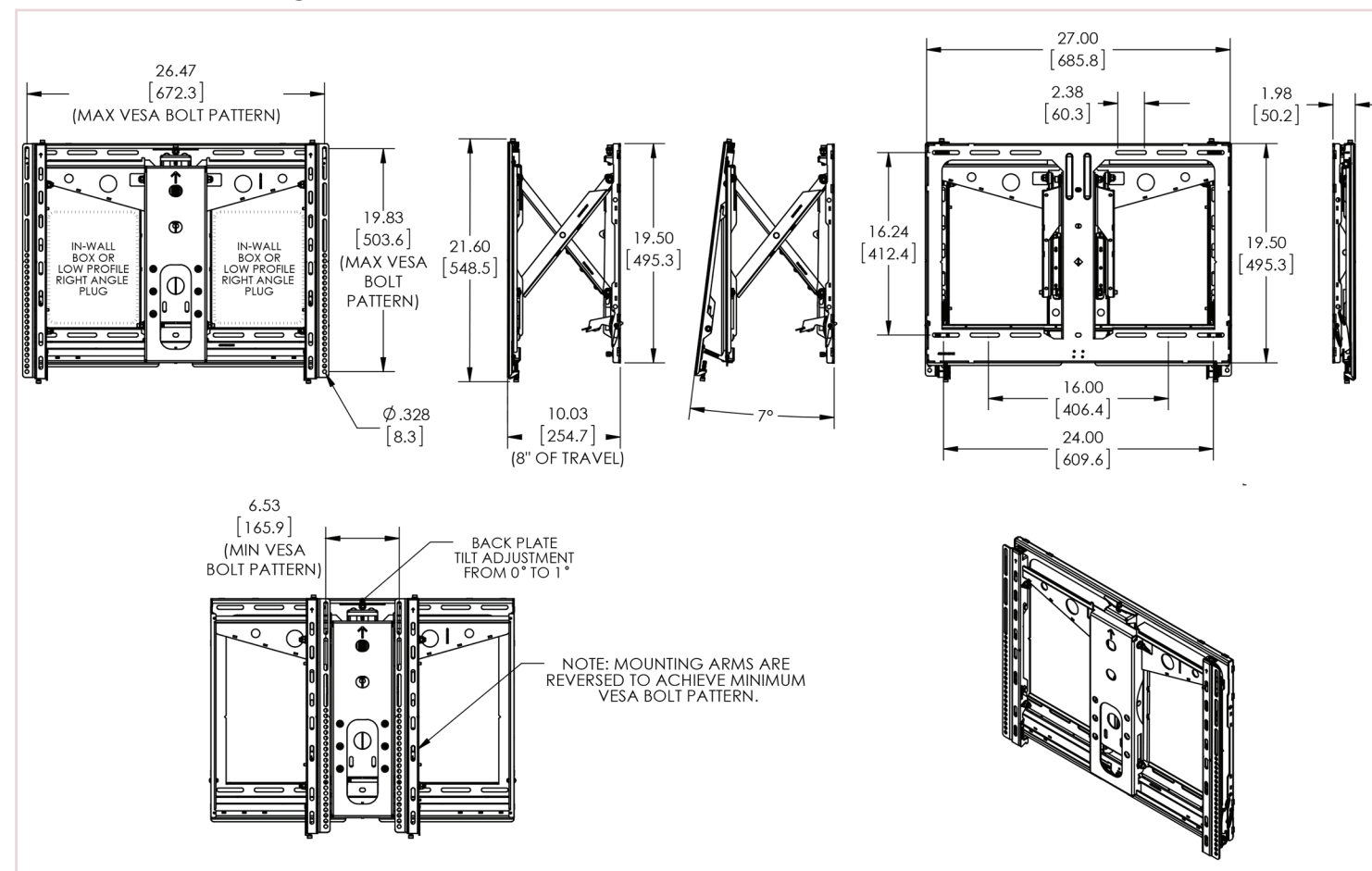
Packaging

Width x Height x Depth 31.31 x 23.5 x 4.25 in. 795 x 597 x 108 mm	Contents Mount (x1), Adapter Arms (x2), Universal Hardware Pack (x1)
---	--

Accessories

 In-wall A/V and Power GearBox™ GB-INWAVPB	 Model-Specific Video Wall Spacer LMV-345	 Model-Specific Video Wall Spacer LMV-406
--	---	---

Architectural Drawing



Specifications subject to change without notice

T: 800.368.9700 Int'l: +001.714.632.7100

