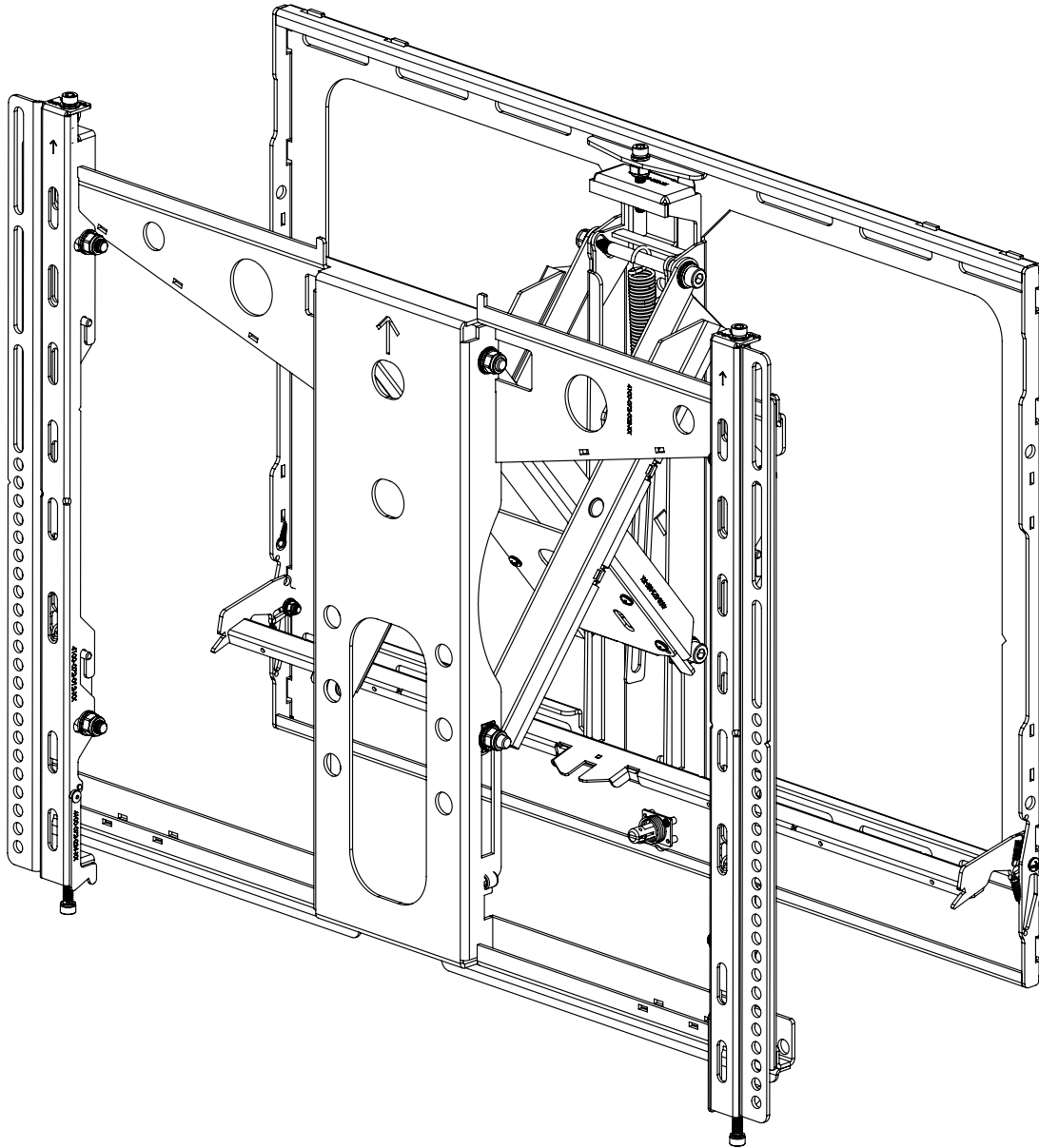


# LMVS

## Installation Guide

Press and Release™ Pop Out Slim

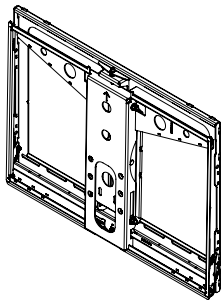


# LMVS

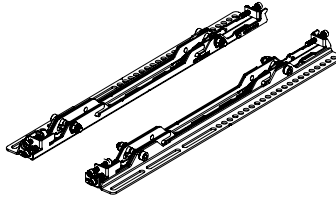
## Installation Guide

### Included Components

Maximum Flat Panel Weight:  
**100 lb. / 45.35 kg.**



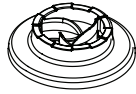
Wall Mount  
(Qty 1)



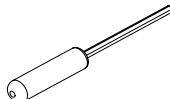
Bracket  
(Qty 1 Pair)



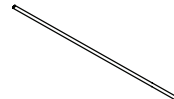
5/16" Flat Washers  
(Qty 4)



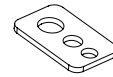
Universal Spacers  
(Qty 8)



M5 Allen Driver  
(Qty 1)



Thread Depth Indicator  
(Qty 1)



Universal Washers  
(Qty 4)



5/16" x 3" Lag Bolts  
(Qty 4)



Finned Anchors  
(Qty 4)



M4 x 12mm (Qty 4)



M6 x 12mm (Qty 4)



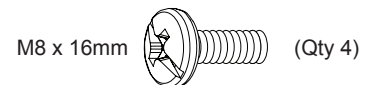
M8 x 12mm (Qty 4)



M4 x 16mm (Qty 4)



M6 x 16mm (Qty 4)



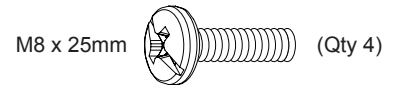
M8 x 16mm (Qty 4)



M4 x 25mm (Qty 4)



M6 x 25mm (Qty 4)

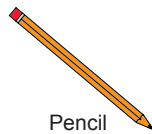


M8 x 25mm (Qty 4)

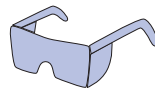
### Required for installation



Electronic Stud Finder



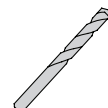
Pencil



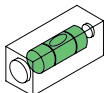
Protective Eyewear



M6 or 1/4" Drill Bit



M8 or 5/16" Concrete Drill Bit



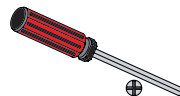
Level



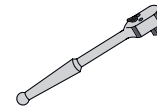
10mm Socket



13mm or 1/2" Socket



Phillips Head Screwdriver



Socket Wrench

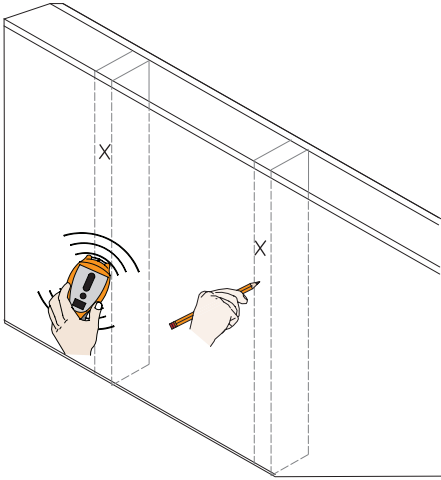


Portable Drill



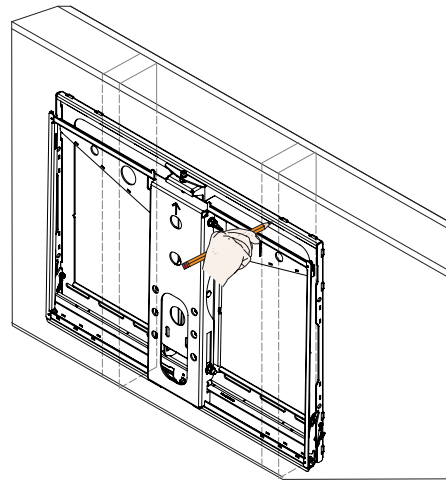
## Wood Stud Installation

1



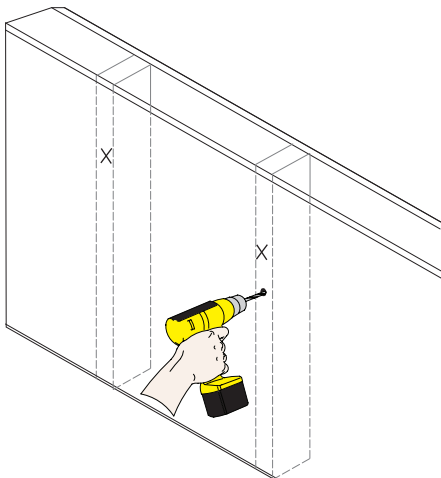
1. Use a stud finder to determine the wall studs in the vicinity of the mount.
2. Use a pencil to mark each of the wall studs.

2



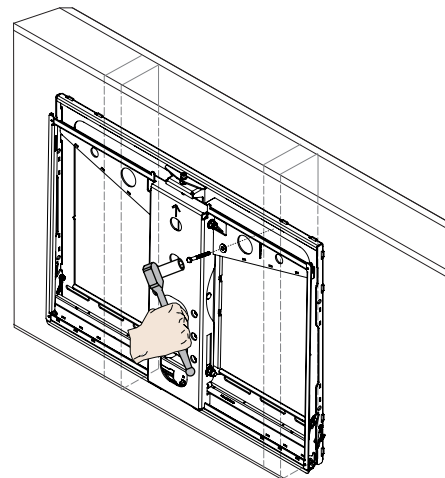
Use a pencil to mark the upper right mounting location of the wall stud.

3



Drill a pilot hole using a M6 or 1/4" drill bit on the stud that was marked on the upper right.

4

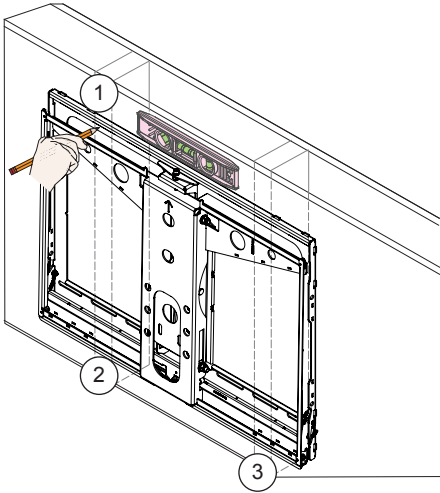


1. Place the mount against the wall and align it with the pilot hole.
2. Insert one (1) 5/16" x 3" lag bolt one (1) 5/16" washer into the upper right pilot hole.
3. Use a socket wrench and a 1/2" socket to tighten the lag bolt.
4. Do not over tighten the lag bolt.

# LMVS

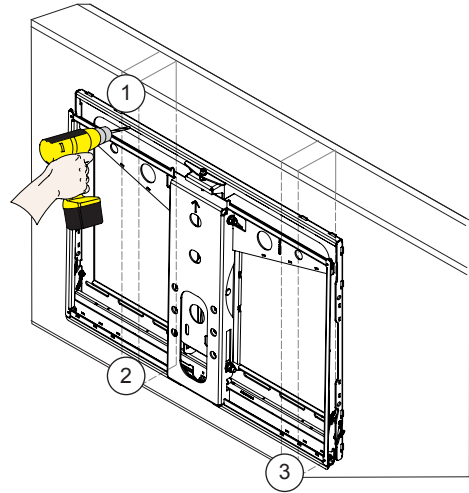
## Installation Guide

5



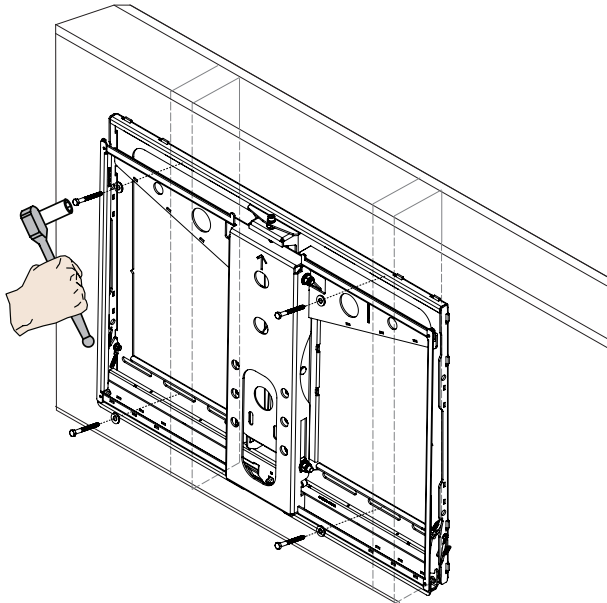
1. Level the mount
2. Use a pencil to mark the remaining three (3) mounting locations

6



Drill a pilot hole in each of the three (3) marks with a power drill and a M6 or 1/4" drill bit.

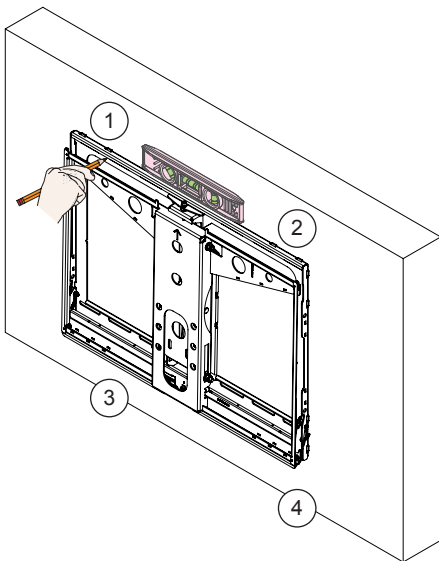
7



1. Insert one (1) 5/16" x 3" lag bolt and one (1) 5/16" washer into each pilot hole.
2. Tighten all lag bolts using a socket wrench and 1/2" socket.
3. Do not over tighten the lag bolts

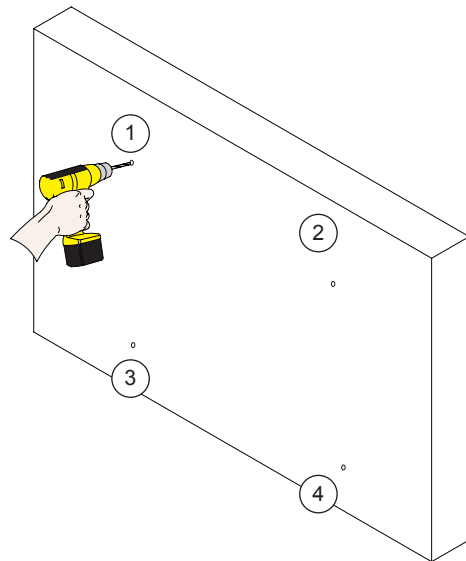
## Concrete Wall Installation

8



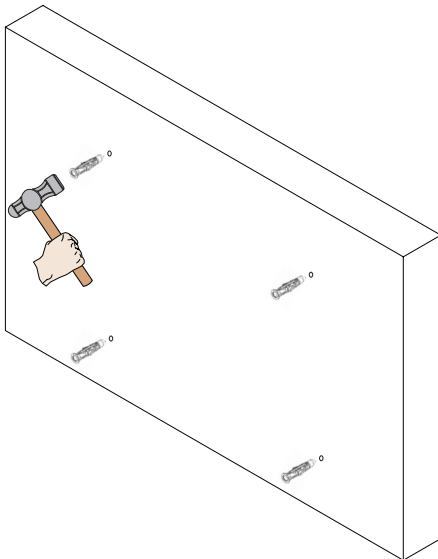
Two people recommended for this step; one person to level the mount and another person to mark the mounting locations.

9



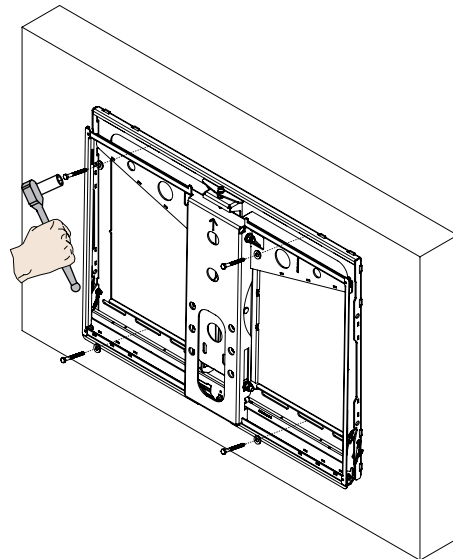
Drill a pilot hole in each of the four (4) mark areas with a 3/8" masonry drill bit.

10



Insert the Finned anchors into each pilot holes. Lightly tap each Finned anchors into place with a hammer.

11



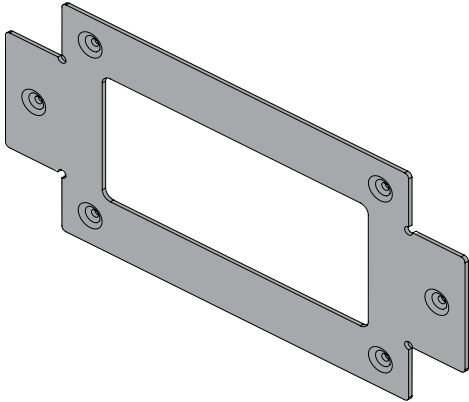
1. Insert one (1) 5/16" x 3" Lag Bolt and one (1) 5/16" washer into each pilot holes.
2. Tighten all lag bolts using a socket wrench and 1/2" socket.

# LMVS

## Installation Guide

### Installing OPTIONAL Model Specific Spacers

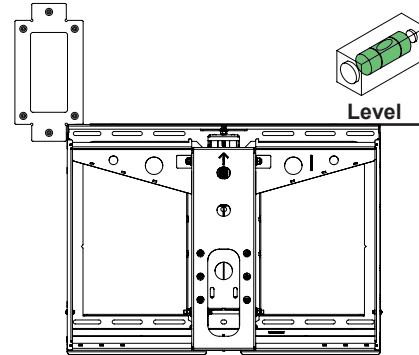
12




#### For ease of installation

Model-specific spacers are available for most flat-panel displays. Engineered with the intent of significantly reducing installation time on large video wall arrays. Contact Customer Service to inquire about model specific spacers.

13

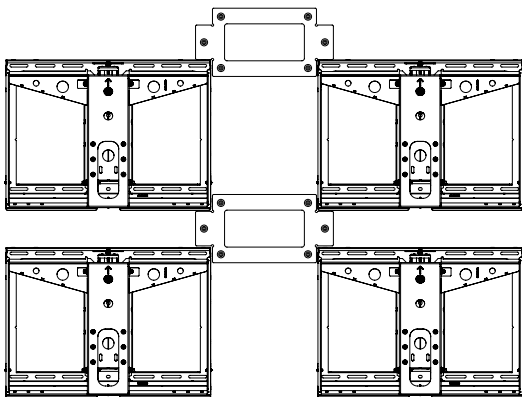


- 1) Mount the LMVS to the desired location.
- 2) Align and Level the spacer to the corner register tabs of the mount.

 Use commercially available hardware to secure the spacer. Utilize the same spacer for multiple LMVS installations.

For illustration only. LMVS Spacer will vary.

14

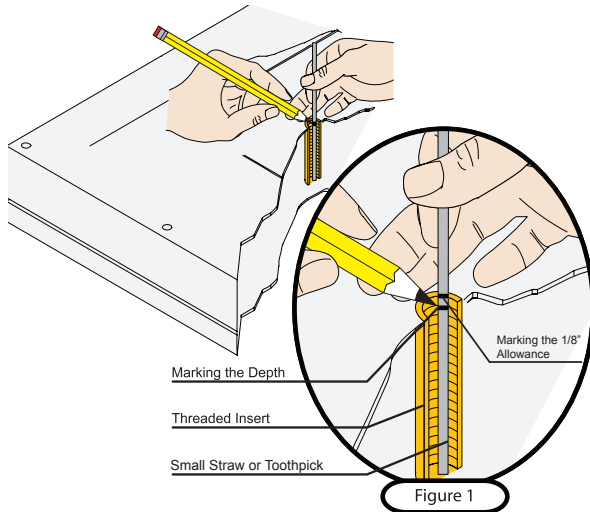


Multiple LMVS mounts can be installed using model specific spacers. Simply repeat step one when installing each of the surrounding LMVS mounts. Use one spacer for each 2x2 installation by mounting it to the wall, or utilize the same spacer as many times needed to complete an unlimited LMVS large matrix video wall.

1. Plumb and level and mark each corner where the LMVS will be mounted (or secure to the wall).
2. Install the second mount working in a horizontal direction.
3. Square, Level, and Plumb.
4. Repeat this step for each mount horizontally

## Selecting the Mounting Hardware

15



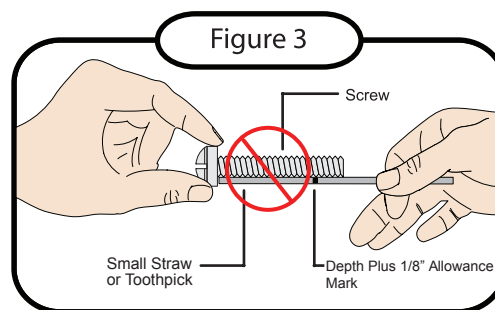
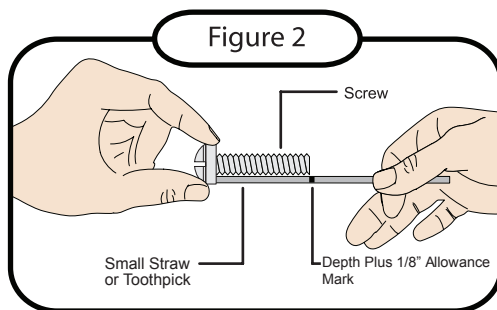
- 1) Insert a small straw or toothpick into the threaded inserts found on the back of the flat-panel.
- 2) Use a pencil to mark the depth of the threaded insert on the small straw or toothpick.
- 3) Mark the straw or toothpick 1/8" above the depth of the threaded insert, as shown in Figure 1.
- 4) Insert the small straw or toothpick into the remaining threaded inserts to compare and verify their depth using the straw or toothpick's 1/8" allowance mark.
- 5) Locate the correct diameter screw for the threaded insert.



If the selected screw is longer than the 1/8" allowance mark on the small straw or toothpick, as shown in Figure 2 and Figure 3, do not use this screw. The screw length must not bypass the mark.

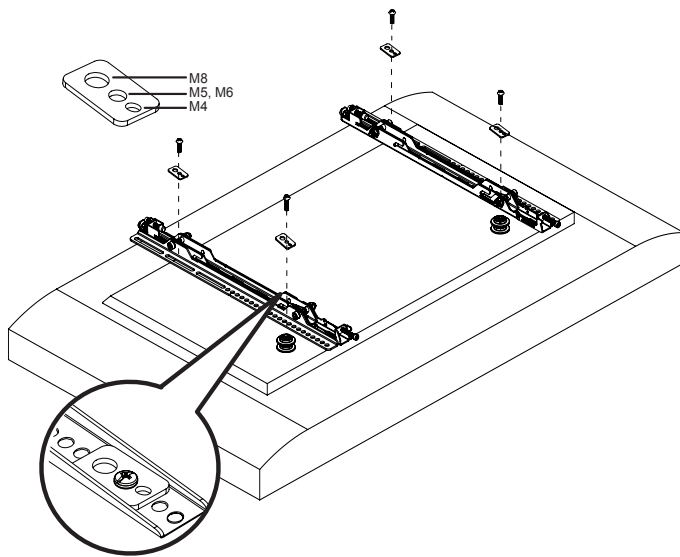
- 6) Test each size of the screws provided.

The correct screws should thread easily into the mounting point and not pull out when tension is applied.



### 16

### Universal Washer Installation



Universal Washers are designed to accommodate the various M4, M5, M6 and M8 hole sizes required by flat-panels.

- 1) Place the flat-panel screen-side down on a soft, flat surface.
- 2) Identify the number and location of the thread inserts on the back of the flat-panel.
- 3) Aligning the holes on each mounting bracket with the thread inserts on the back of your flat-panel.
- 4) Secure each mounting bracket to the flat-panel by inserting a minimum of two (2) screws per bracket.

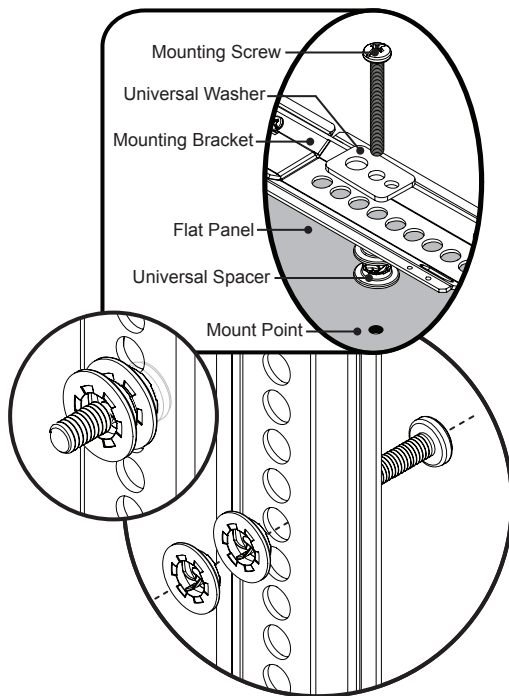


Do not over tighten the mounting hardware.

Make sure the directional arrows on the mounting brackets are facing up.

### 17

### Universal Spacer Installation



Universal Spacers allow the user to attach the mounting bracket to flat-panels which have recessed or uneven mount points. Each Universal Spacer adds 1/4" to the distance between the mounting bracket and the flat-panel.



The Universal Spacers must be stacked and oriented as shown.



The Universal Spacers must only be installed between the mounting bracket and the flat-panel.



## 18

### Attaching the Flat-Panel to the Mount

Mounting bracket adjustments are factory pre-set (see **Note**).

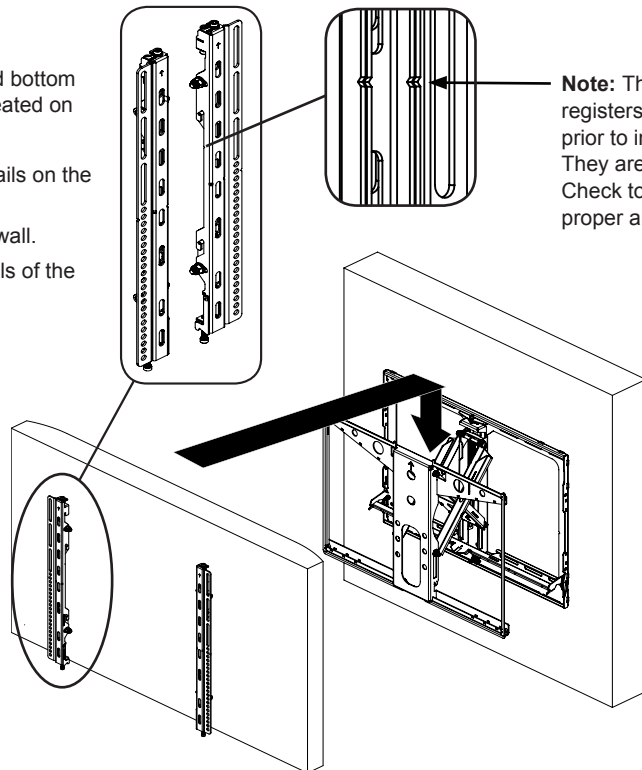
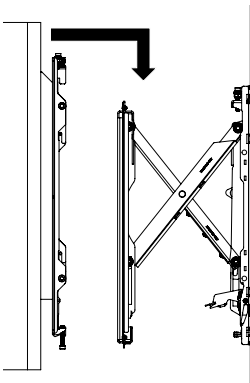


This section requires two people.



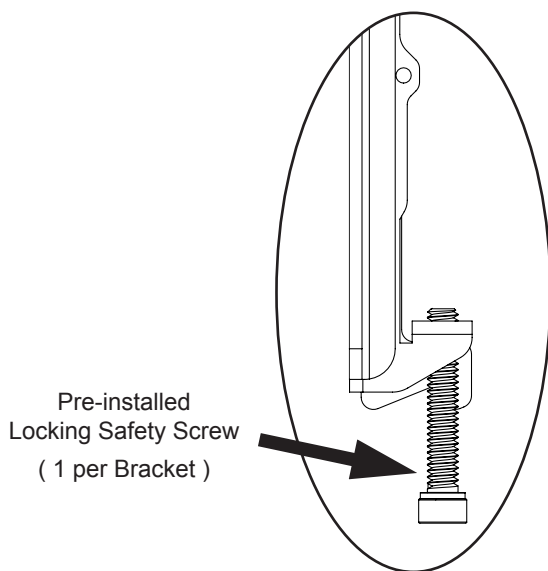
Do not release the flat-panel prematurely. The top and bottom hooks of both mounting brackets must be securely seated on the upper and lower mounting rails.

- 1) Raise the flat-panel past the top and bottom mounting rails on the wall panel.
- 2) Slide the flat-panel down slowly, keeping it close to the wall.
- 3) Engage the top and bottom mounting brackets to the rails of the mount.



## 19

### Locking Safety Screw Installation



The locking safety screws keep the flat-panel from being accidentally dislodged from the LMVS.

- 1) Locate the pre-installed security locking safety screw at the bottom of each of the mounting brackets.
- 2) Use the M5 Allen driver (supplied) to tighten the locking safety screw.

**Note:** Tighten screw to surface, then tighten 1/4" turn



Do not overtighten the locking safety screws.

# LMVS

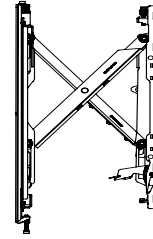
## Installation Guide

### MOVE INWARD

Left Control



Right Control

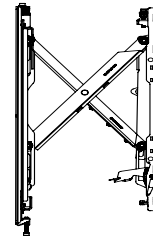


### MOVE OUTWARD

Left Control



Right Control

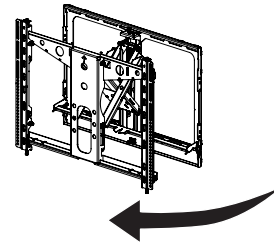


### TILT LEFT

Left Control



Right Control

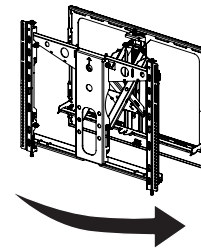


### TILT RIGHT

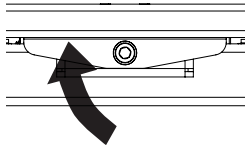
Left Control



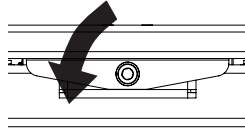
Right Control



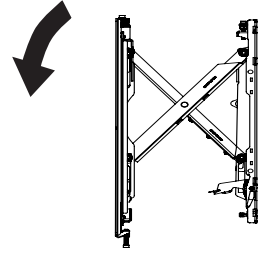
## POSITIVE/NEGATIVE TILT



Negative Tilt  
control



Positive Tilt  
Control

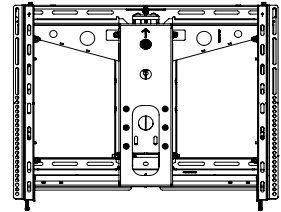


## LEVELING UP

Left  
Control



Right  
Control

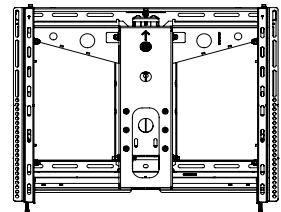


## LEVELING DOWN

Left  
Control



Right  
Control



# LMVS

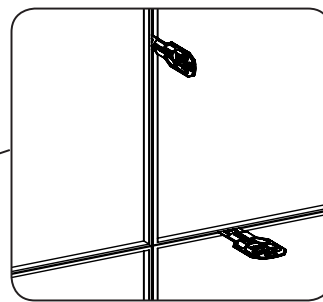
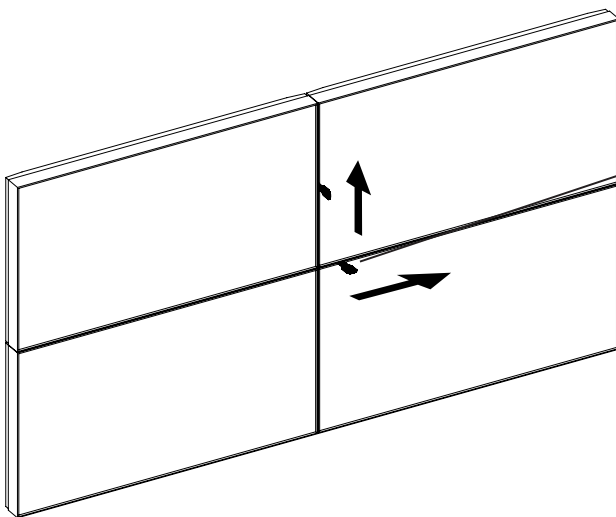
## Installation Guide

Use the **GAPit GO/No Go Gauge (supplied with model specific spacer)** as a final step in the process to inspect and adjust the gap to **prevent costly replacement and extend the lifespan of the displays.**

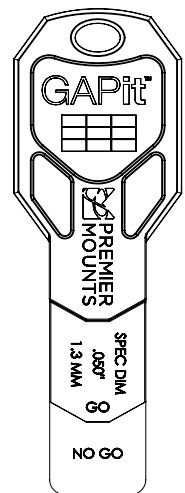


Damage happens when weight is transferred to the ultra-thin bezels of video wall installations, if the recommended gap specifications of .050" is not maintained vertically and horizontally.

This results in image distortion, and costly repairs and replacement



1. Swipe GAPit along vertical gap
2. Inspect for .050" gap & adjust if needed
3. Swipe GAPit along horizontal gap
4. Inspect for .050" gap & adjust if needed



## Maintenance

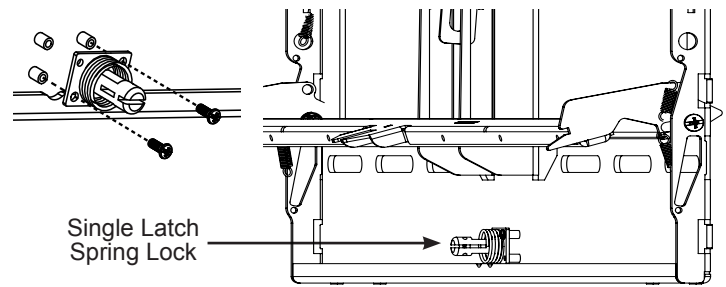
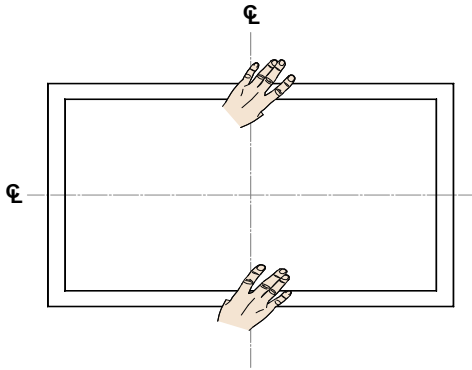


Figure 1

- 1) Push evenly in the front of the LMVS to release the single latch spring lock (Figure 1).
- 2) Slowly pull the front of the LMVS to extend the scissor arms (Figure 2).
- 3) Loosen the locking safety screws on both mounting brackets.
- 4) Tilt up the bottom of the flat-panel, then set their kickstands against the bottom tubing of the mount (Figures 2 & 3).
5. Perform any necessary repairs. Close the latch after servicing.

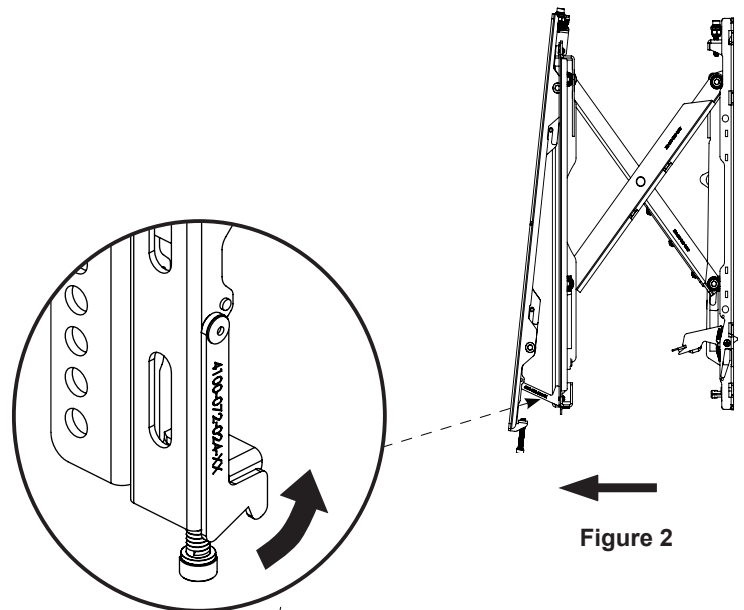


Figure 2

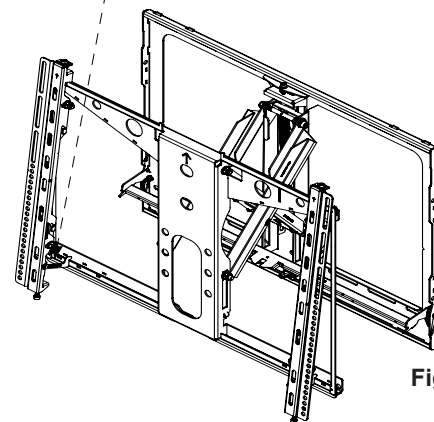


Figure 3

**PREMIER MOUNTS**  
**LIMITED LIFETIME WARRANTY**

**What and Who is Covered by this Limited Lifetime Warranty**

Premier Mounts warrants all mounting products to be free from defects in material and workmanship for the lifetime of the original installation of the product.

**What Premier Mounts Will Do**

At the sole option of Premier Mounts, Premier Mounts will repair or replace any product or product part that is defective. If Premier Mounts chooses to replace a defective product or part, a replacement product or part will be shipped to you at no charge, but you must pay any related labor costs.

**What is Not Covered: Limitations**

Premier Mounts disclaims any liability for damage to mounts, adapters, displays, projectors, other property, or personal injury resulting, in whole or in part, from improper installation, modification, use or misuse of its products.

NOTWITHSTANDING ANYTHING TO THE CONTRARY IN THIS WARRANTY, THIS WARRANTY IS LIMITED TO FIVE YEARS FROM THE DATE OF PURCHASE IN THE EVENT THAT THE WARRANTED PRODUCT IS COMMERCIALY RENTED OUT.

Electrical products and components, such as amplifiers, speakers, motors, switches remote controls and related electrical items, are backed by a 3-year warranty.

Premier Mounts disclaims all other warranties, express or implied, including warranties of merchantability and fitness for a particular purpose. Premier Mounts is not responsible for incidental or consequential damages, including but not limited to, inability to use its products or labor costs for removing and replacing defective products or parts. Some states do not allow the exclusion or limitation of incidental or consequential damages, so the above limitation or exclusion may not apply to you.

**What Customers Must Do for Warranty Service**

If you discover a problem that you think may be covered by the warranty, you must report it in writing to the address below within thirty (30) days. Proof of purchase (an original sales receipt) from the original consumer purchaser must accompany all warranty claims. Warranty claims must also include a description of the problem, the purchaser's name, address, and telephone number. General inquiries can be addressed to Premier Mounts Customer Service at 1-800-368-9700. Warranty claims will not be accepted over the phone or by fax.

Premier Mounts  
Attn: Warranty Claim  
2620 Palisades Drive  
Corona, CA 92882 USA

**How State Law Applies**

This warranty gives you specific legal rights, and you may also have other rights which vary from state to state.

Premier Mounts intends to make this manual accurate and complete. However, Premier Mounts makes no claim that the information contained herein covers all details, conditions or variations, nor does it provide for every possible contingency in connection with the installation or use of this product. The information contained in this document is subject to change without notice or obligation of any kind. Premier Mounts makes no representation of warranty, expressed or implied, regarding the information contained herein. Premier Mounts assumes no responsibility for accuracy, completeness or sufficiency of the information contained in this document.

