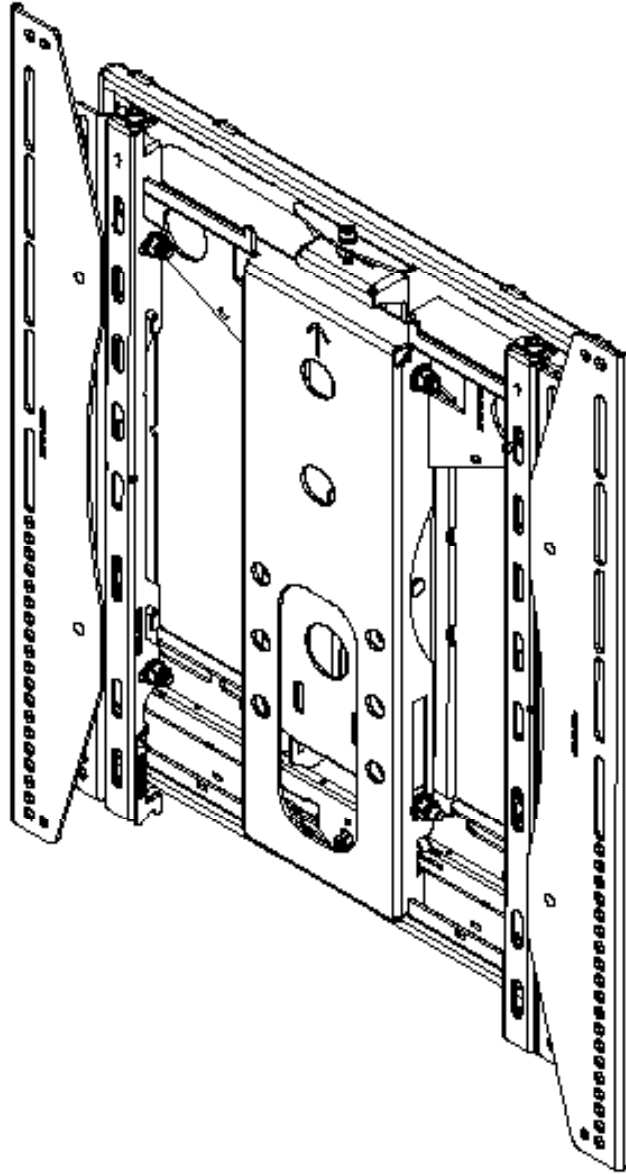


LMVSP

Installation Guide

Release Pop Out Ultra Slim Portrait Mount



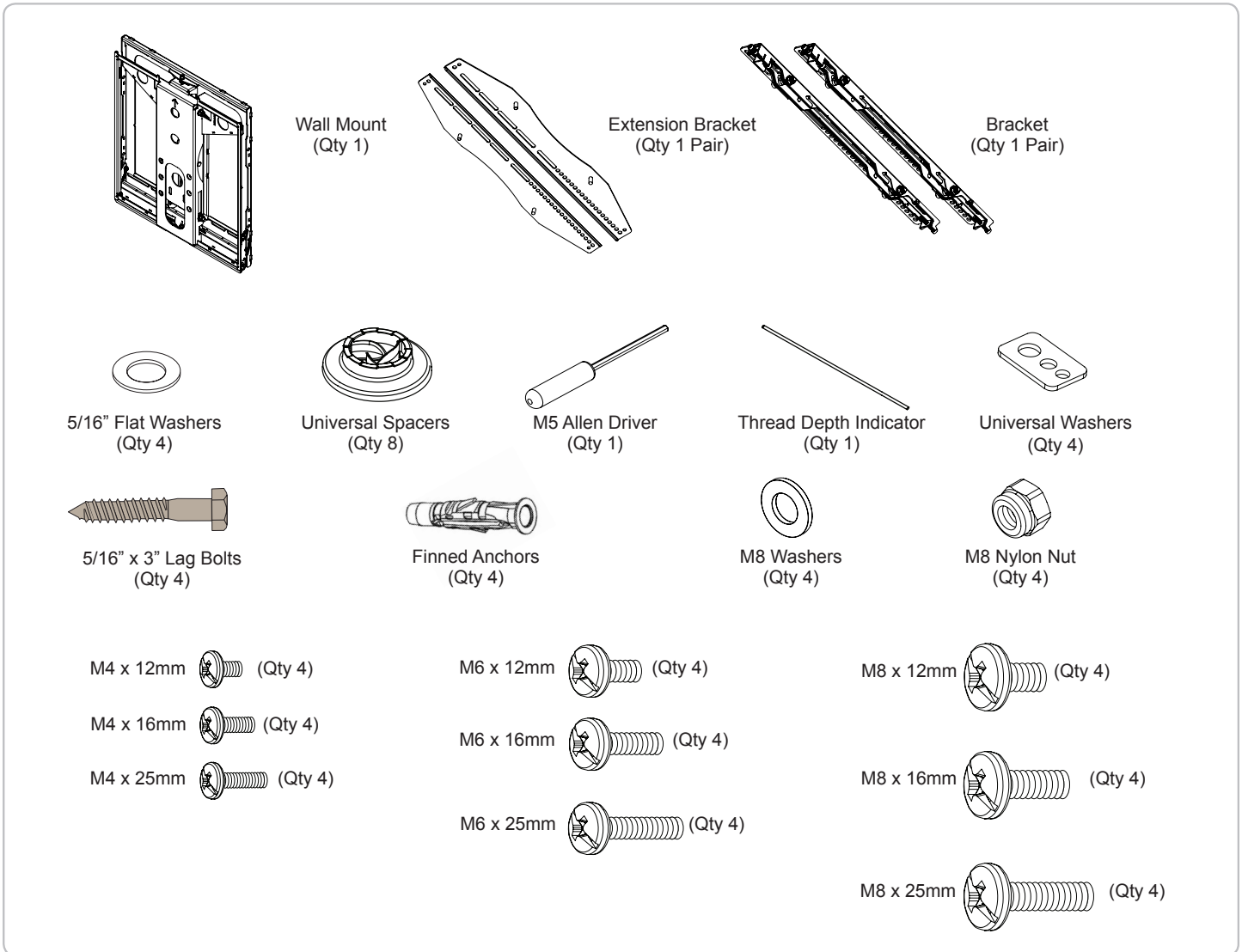
www.mounts.com | North America 800.368.9700 | International +1-714-632-7100
2620 Palisades Drive, Corona CA, 92882

LMVSP

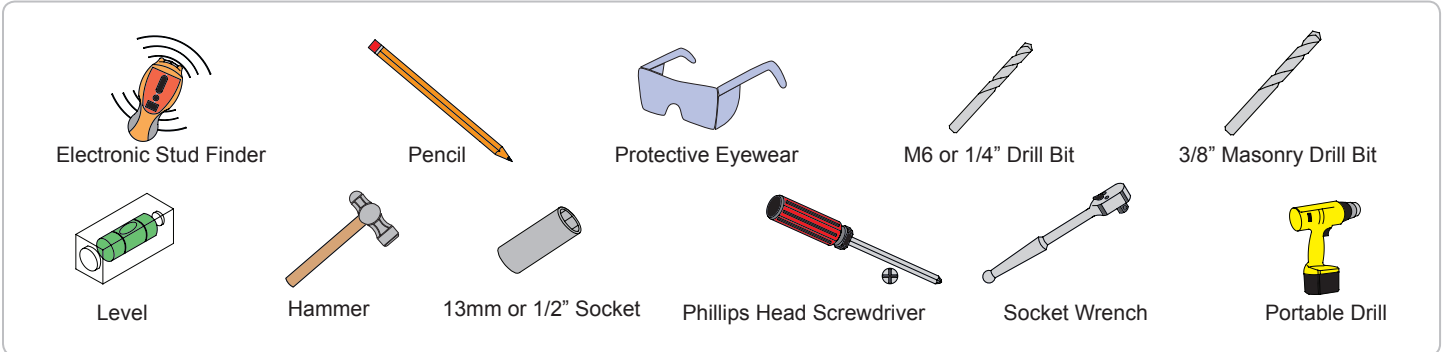
Installation Guide

Maximum Flat Panel Weight:
100 lb. / 45.35 kg.

Included Components

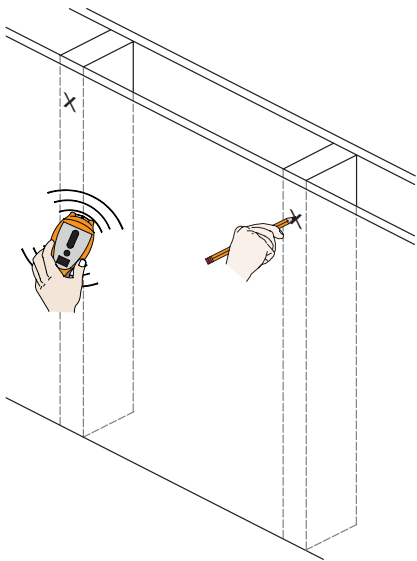


Required for installation



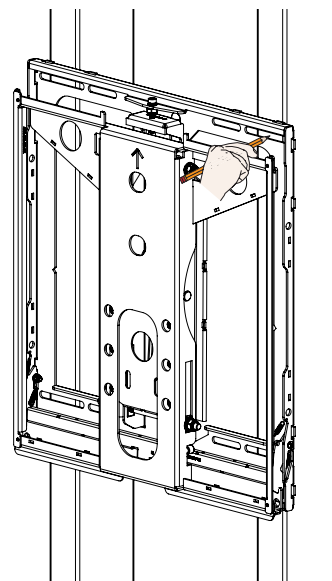
Wood Stud Installation

1



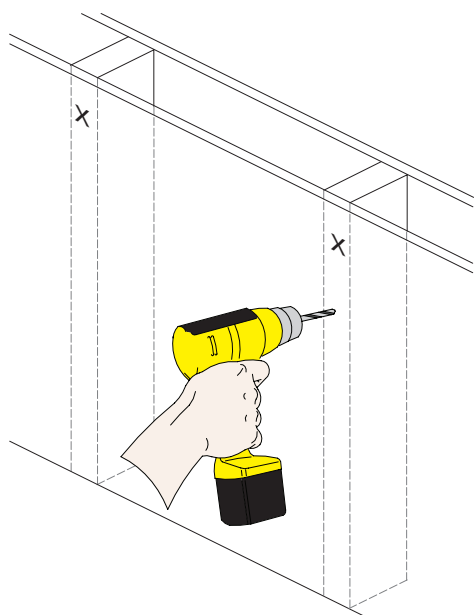
- 1) Use a stud finder to determine the wall studs in the vicinity of the mount.
- 2) Use a pencil to mark each of the wall studs.

2



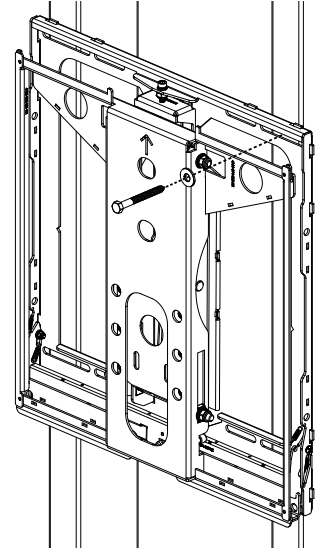
Use a pencil to mark the upper right mounting location of the wall stud.

3



Drill a "pilot hole" using a M6 or 1/4" drill bit on the stud that was marked on the upper right.

4



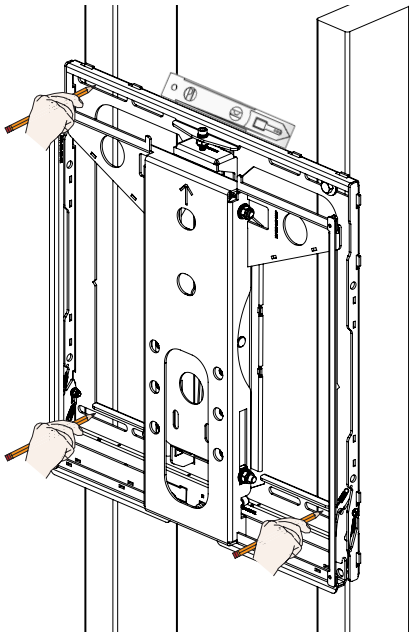
- 1) Place the mount against the wall and align it with the pilot hole.
- 2) Insert one (1) 5/16" x 3" lag bolt and one (1) 5/16" washer into the upper right pilot hole.
- 3) Use a socket wrench and a 13mm or 1/2" socket to tighten the lag bolt.



LMVSP

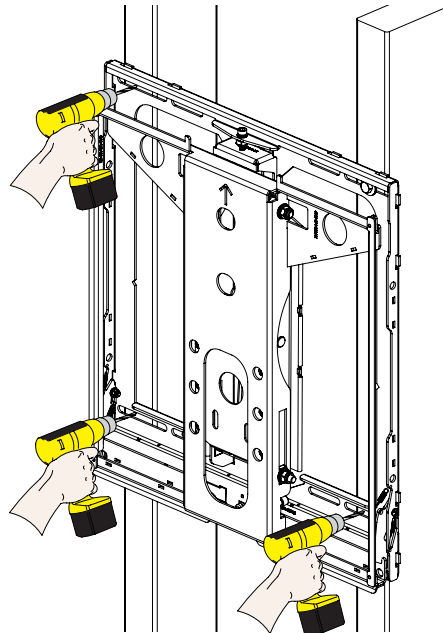
Installation Guide

5



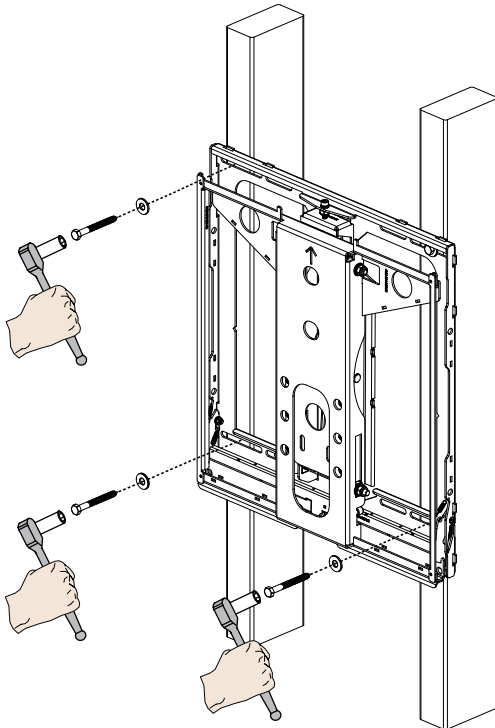
- 1) Level the mount
- 2) Use a pencil to mark the remaining three (3) mounting locations.

6



Drill a "pilot hole" in each of the three (3) marks with a power drill and a M6 or 1/4" drill bit.

7



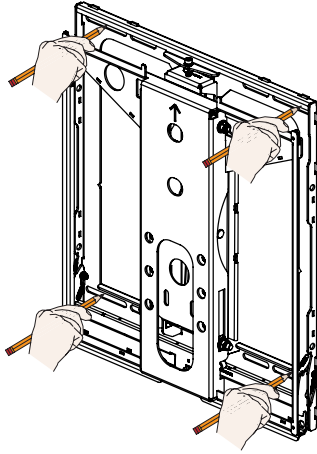
- 1) Insert one (1) 5/16" x 3" lag bolt and one (1) 5/16" washer into each pilot hole.
- 2) Tighten all lag bolts using a socket wrench and 1/2" socket.

Do not over tighten the lag bolts



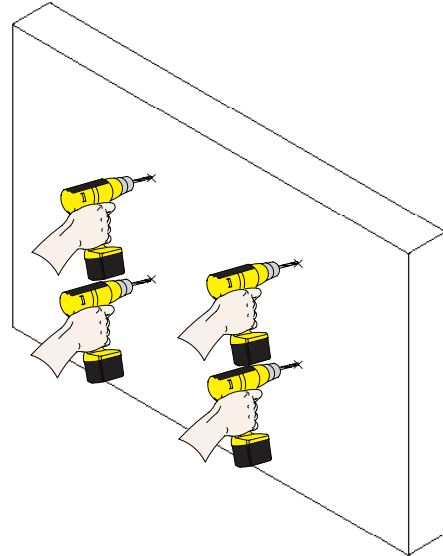
Concrete wall Installation

8



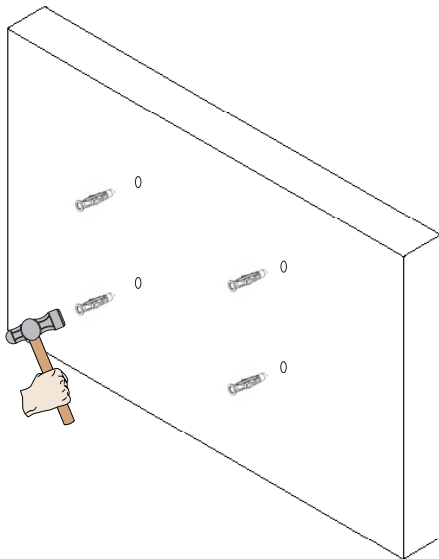
Two people recommended for this step; one person to level the mount and another person to mark the mounting locations.

9



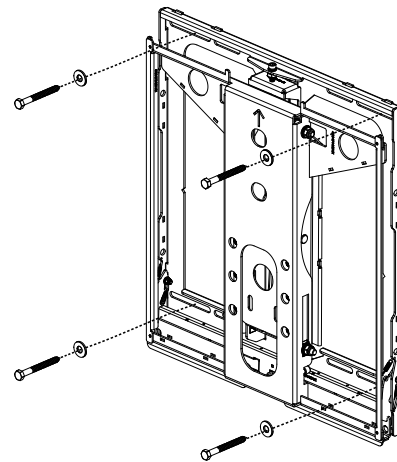
Drill a "pilot hole" in each of the four (4) mark areas with a 3/8" masonry drill bit.

10



Insert the Finned Anchors into each hole. Lightly tap each Finned Anchors into place with a hammer.

11

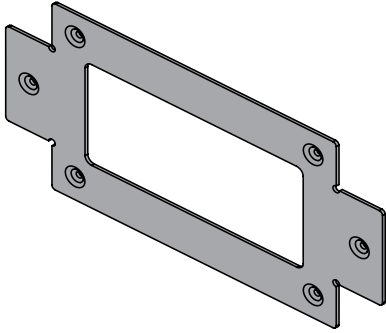


Insert the lag bolts and washers into the Finned Anchors. Tighten all lag bolts using a socket wrench and 1/2" or 13mm socket.

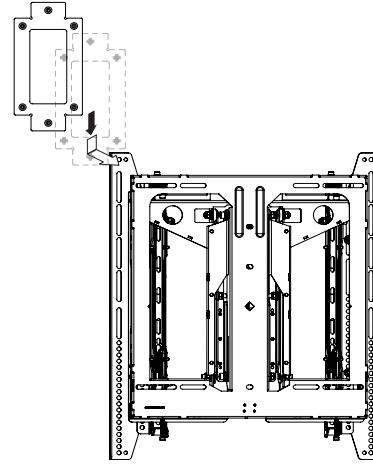
LMVSP


Installation Guide

Installing OPTIONAL Model Specific Spacers



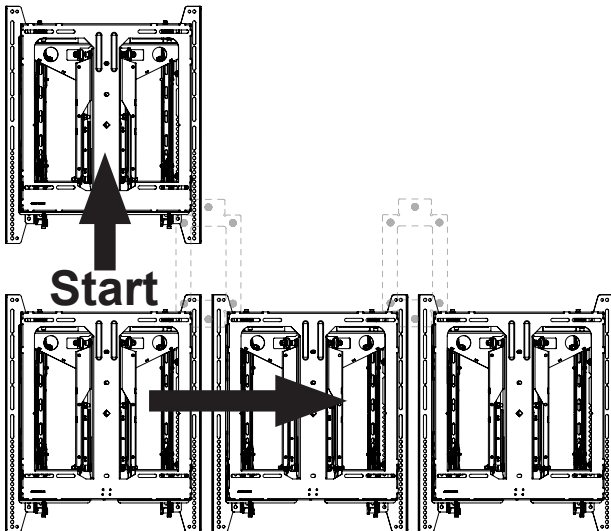
LMVSP's dedicated flat-panel spacers are engineered with the knowledge that aligning each flat-panel on a large wall is time consuming and costly. **These model-specific spacers** are available for most flat-panels, which significantly reduces the installation time. (Call Customer Service to inquire about model specific spacers.)



 This spacer is shown for illustration purposes only. Your spacer may look different depending on the display model you are installing.

- 1) Once your LMVSP is mounted in the desired location and is level, align your spacer to the top left or right (depending on your install direction) corner register tabs of your mount.

You may use commercially available hardware to secure the spacer to the wall during installation (depending on the wall material). You may utilize the same spacer for multiple LMVSP installations.

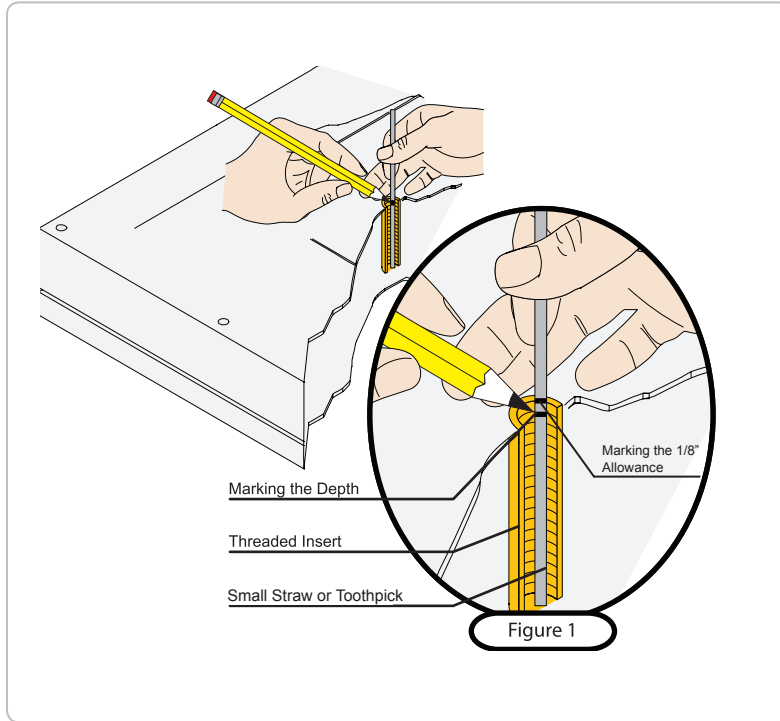


Multiple LMVSP mounts can be installed using model specific spacers. Simply repeat step one when installing each of the surrounding LMVSP mounts. Use one spacer for each 2x2 installation by mounting it to the wall, or utilize the same spacer as many times needed to complete an unlimited LMVSP large matrix video wall.

1. Make sure the spacer is plumb and level and mark each corner where the LMVSP will be mounted (or secure to the wall). It is best to start from the bottom corner and work your way up.
2. Install the second mount working in a horizontal direction.
3. Ensure that the mount remains plumb and level.
4. Repeat this step for each mount horizontally
5. To install multiple rows, place spacer between previously installed LMVSP's on the bottom row. Make sure the spacer is plumb and level, mark the corners (or secure to the wall) to be sure of where the LMVSP should be and secure your mount to the wall.



Selecting the Mounting Hardware



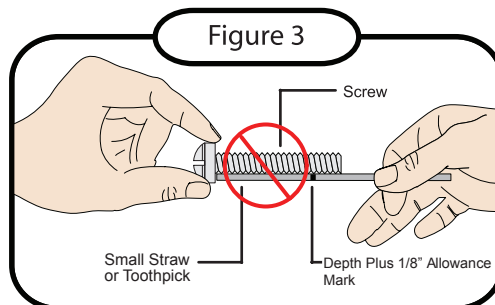
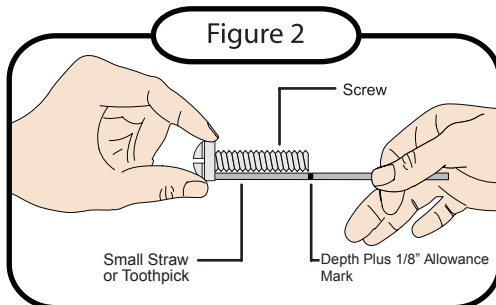
- 1) Insert a small straw or toothpick into the threaded inserts found on the back of the flat-panel.
- 2) Use a pencil to mark the depth of the threaded insert on the small straw or toothpick.
- 3) Mark the straw or toothpick 1/8" above the depth of the threaded insert, as shown in Figure 1.
- 4) Insert the small straw or toothpick into the remaining threaded inserts to compare and verify their depth using the straw or toothpick's 1/8" allowance mark.
- 5) Locate the correct diameter screw for the threaded insert.



If the screw you selected is longer than the 1/8" allowance mark on the small straw or toothpick, as shown in Figure 2 and Figure 3, do not use this screw. The screw length must not bypass the mark.

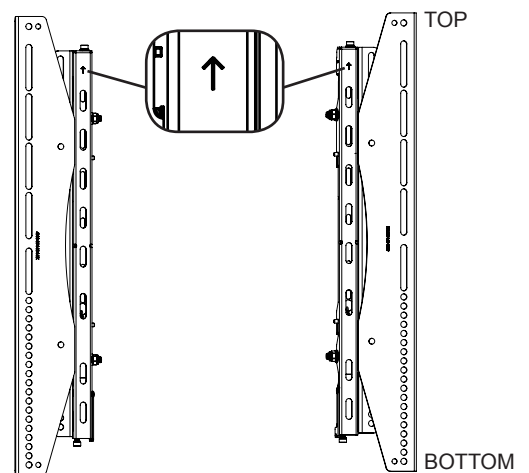
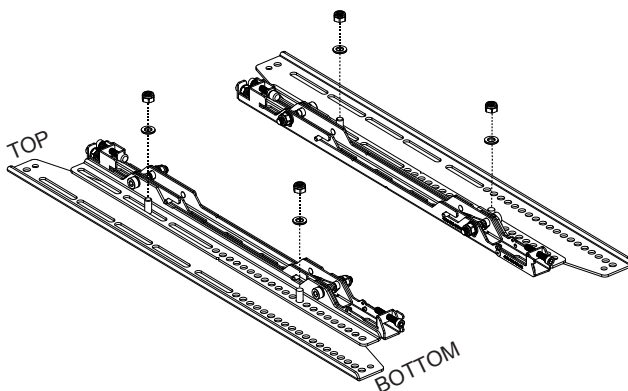
- 6) Test each size of the screws provided.

The correct screws should thread easily into the mounting point and not pull out when tension is applied.



Securing the Adapters

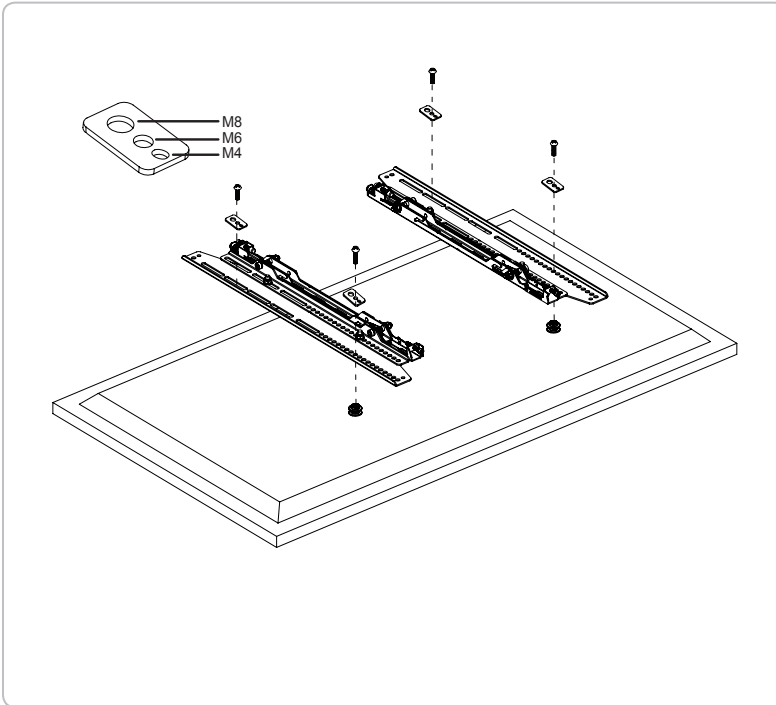
Optional adapters are available with your LMVSP mount.
Secure the adapters to the LMVSP brackets with the supplied
(4) M8 washers and (4) M8 nuts.





LMVSP

Installation Guide

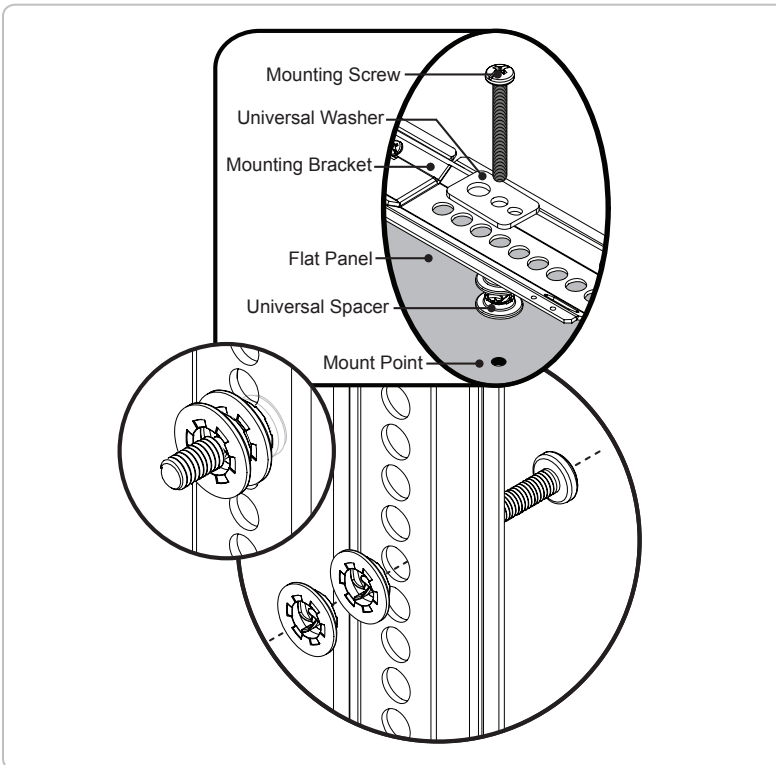
Universal Washer Installation





Premier Mounts' Universal Washers are designed to accommodate the various M4, M6, and M8 hole sizes required by flat-panels.

-  Do not place excessive pressure on the back of the flat-panel, as this may damage your flat-panel.
-  The Universal Washer must be installed between the head of the mounting screw and the mounting bracket as shown.

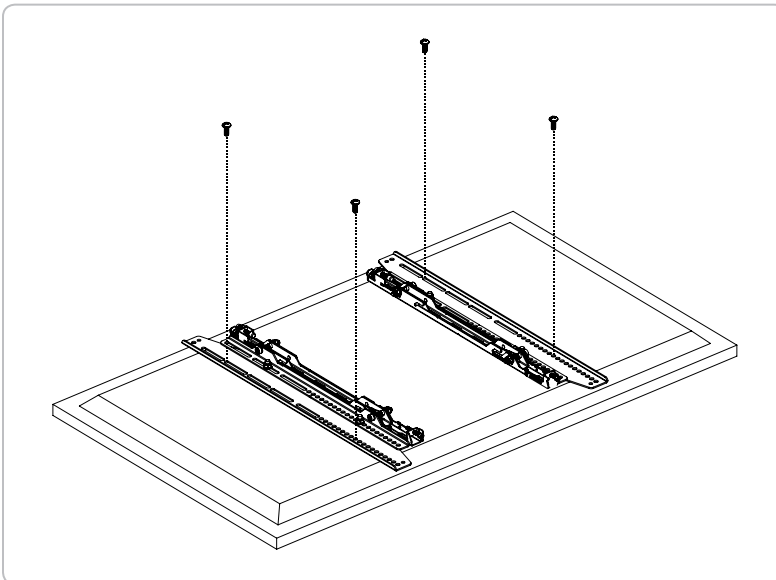
Universal Spacer Installation



Premier Mounts' Universal Spacers allow you to attach the mounting bracket to flat-panels which have recessed or uneven mount points. Each Universal Spacer adds 1/4" to the distance between the mounting bracket and your flat-panel.

-  The Universal Spacers must be stacked and oriented as shown.
-  The Universal Spacers must only be installed between the mounting bracket and your flat-panel.

Attaching the Mounting Brackets to the Flat-Panel



- 1) Secure each mounting bracket to your flat-panel by inserting a minimum of two (2) screws per bracket.



Do not over-tighten the mounting hardware.



Make sure the directional arrows on the mounting brackets are facing up.

NOTE: For smaller vesa bolt patterns, reverse the mounting brackets.

- 2) Before tightening the screws, push the bracket up to remove slack from the bracket, then tightened the screw.

Attaching the Flat-Panel to the Mount

Mounting bracket adjustments are factory pre-set (see **Note**).

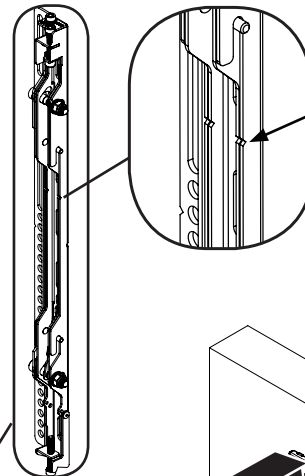


This section requires two people.

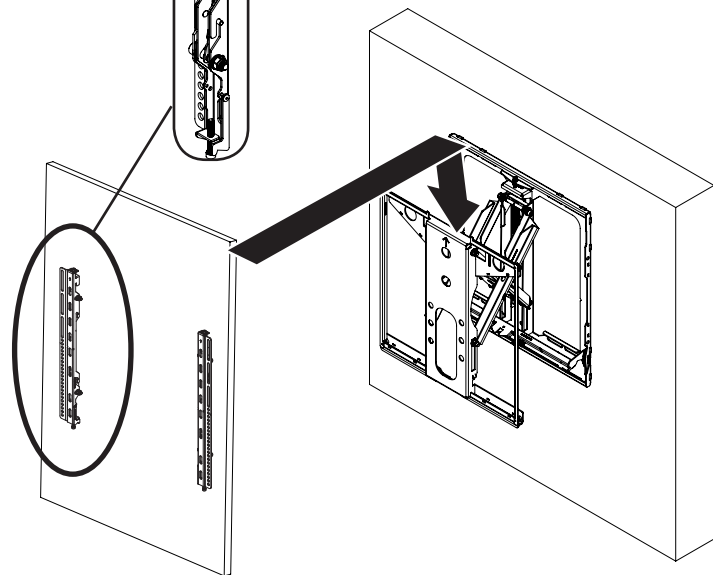
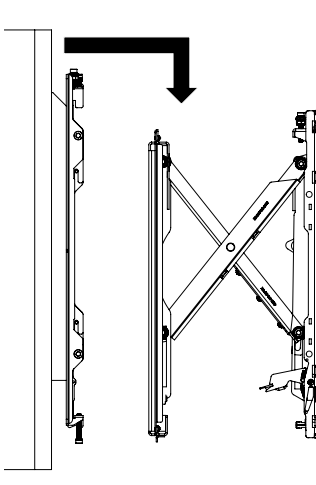


Do not release your flat-panel until you are certain that top and bottom hooks of both mounting brackets are securely seated on the upper and lower mounting rails of the wall panel.

- 1) Raise the flat-panel past the top and bottom mounting rails on the wall panel.
- 2) Slide the flat-panel down slowly, keeping it close to the wall.
- 3) Engage the top and bottom mounting brackets to the rails of the mount.



Note: These registers must align prior to installation. They are factory set. Check to determine proper alignment



LMVSP

Installation Guide

Post-Installation Adjustments

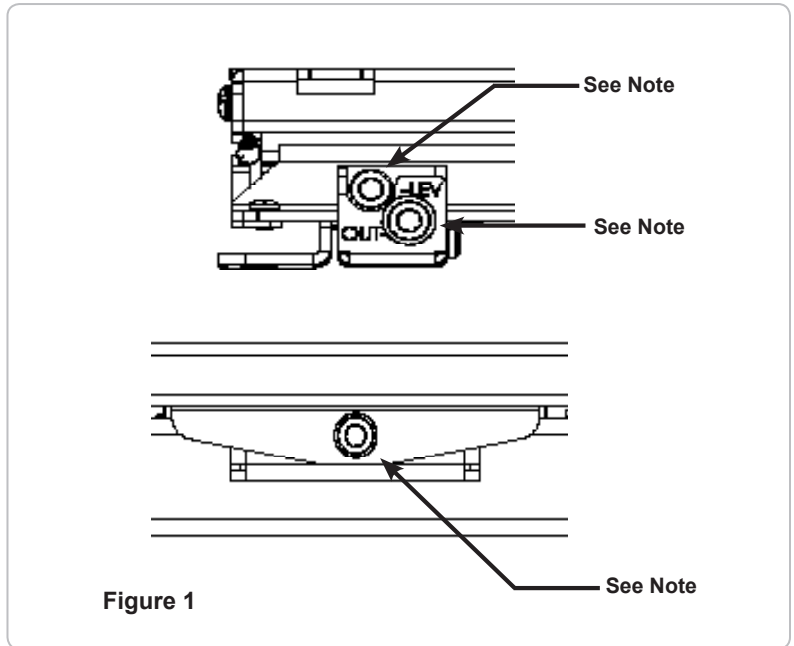
The LMVSP has a set of post-installation adjustments on each mounting bracket (Figure 1).

Use the M5 Allen Driver (supplied) to fine-tune adjust.


Make sure the the locking safety screws are loosened before making adjustments.

Note: Screws have a limited travel adjustment.

Do not overtighten or over adjust the screw to avoid damage to threaded holes.




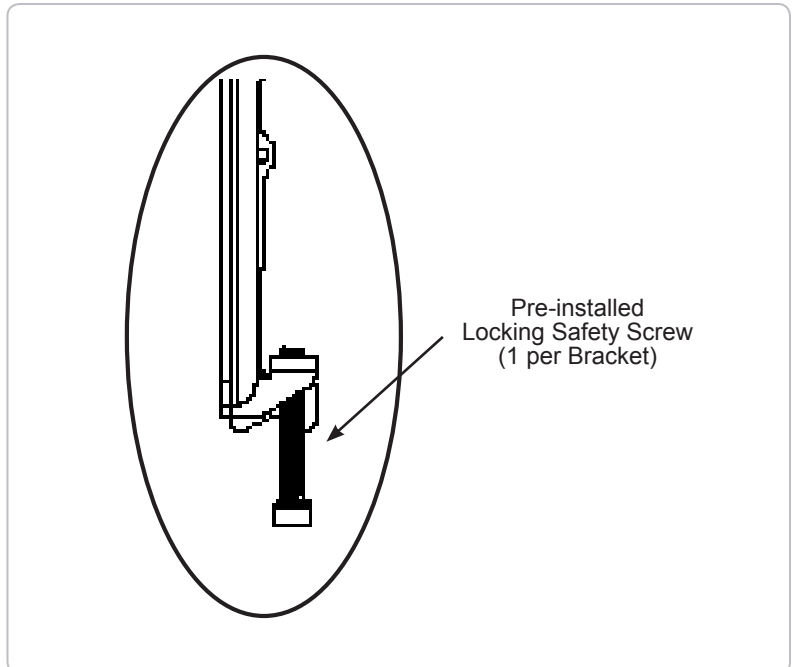
Locking Safety Screw Installation

 The locking safety screws keep the flat-panel from being accidentally dislodged from the LMVSP.

- 1) Locate the pre-installed security locking safety screw at the bottom of each of the mounting brackets.
- 2) Use the M5 Allen driver (supplied) to tighten the locking safety screw.

Note: Tighten screw to surface, then tighten 1/4" turn

 Do not overtighten the locking safety screws.



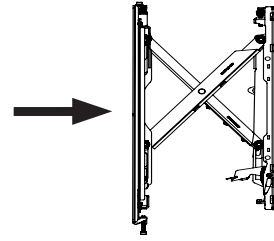
Move Inward



Left Control



Right Control



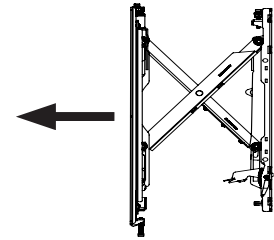
Move Outward



Left Control



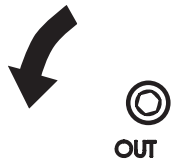
Right Control



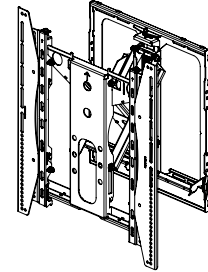
Tilt Left



Left Control



Right Control



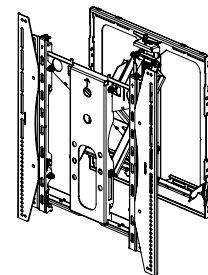
Tilt Right



Left Control



Right Control

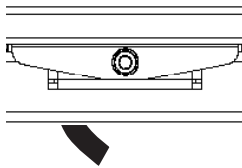


**PREMIER
MOUNTS**

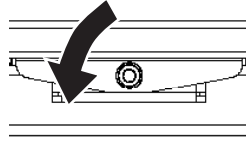
LMVSP

Installation Guide

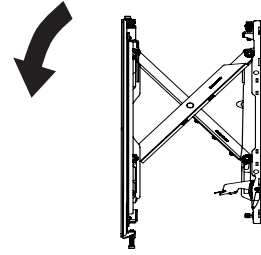
Positive / Negative Tilt



Negative Tilt Control



Positive Tilt Control



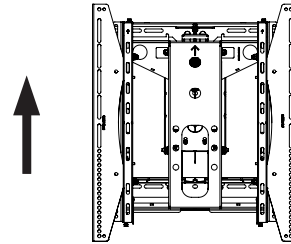
Post Leveling (Up)



Left Control



Right Control



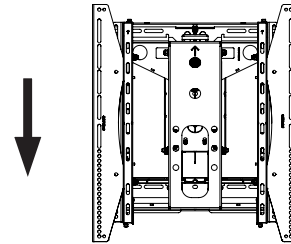
Post Leveling (Down)



Left Control



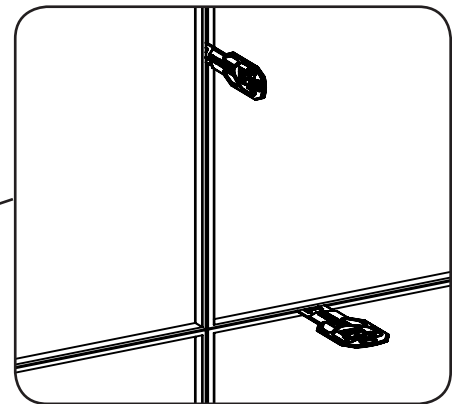
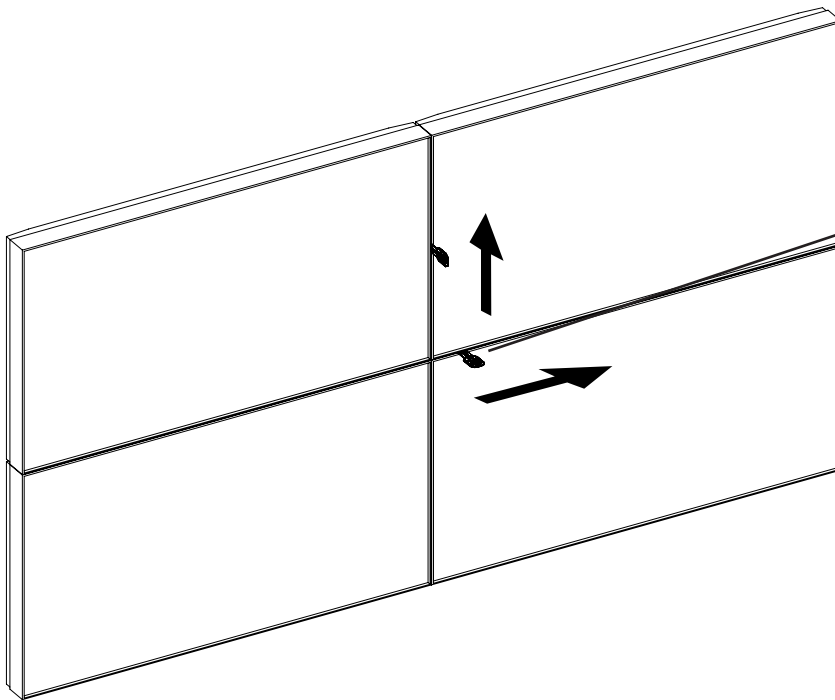
Right Control



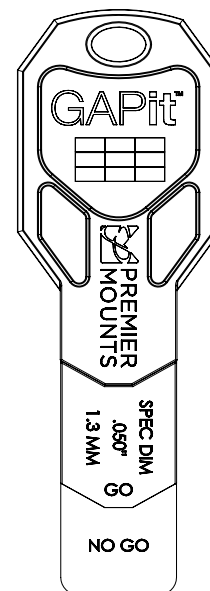
Use the **GAPit GO/No Go Gauge (supplied with model specific spacer)** as a final step in the process to inspect and adjust the gap to **prevent costly replacement and extend the lifespan of the displays.**



Damage happens when weight is transferred to the ultra-thin bezels of video wall installations, if the recommended gap specifications of .050" is not maintained vertically and horizontally. This results in image distortion, and costly repairs and replacement.



1. Swipe GAPit along vertical gap
2. Inspect for .050" gap & adjust if needed
3. Swipe GAPit along horizontal gap
4. Inspect for .050" gap & adjust if needed



LMVSP

Installation Guide

Maintenance

- 1) Push evenly in the front of the LMVSP to release the single latch spring lock(Figure 1).

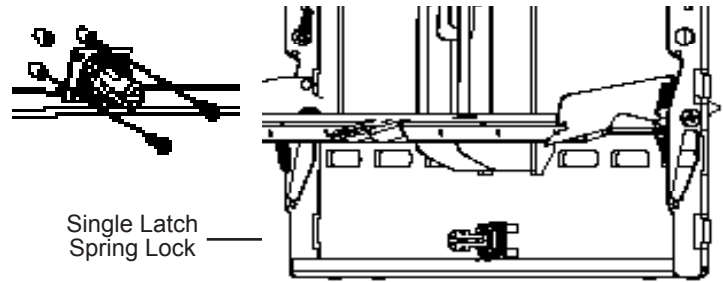
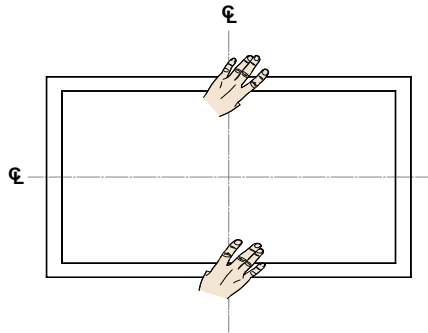


Figure 1

Servicing

- 1) Slowly pull the front of the LMVSP to extend the scissor arms (Figure 2).
- 2) Loosen the locking safety screws on both mounting brackets.
- 3) Tilt up the bottom of the flat-panel, then set their kickstands against the bottom tubing of the mount (Figures 2 & 3).

You can now reach behind the flat-panel for maintenance and servicing or replacement. After servicing, make sure the spring lock is locked again in the mount's closed position.

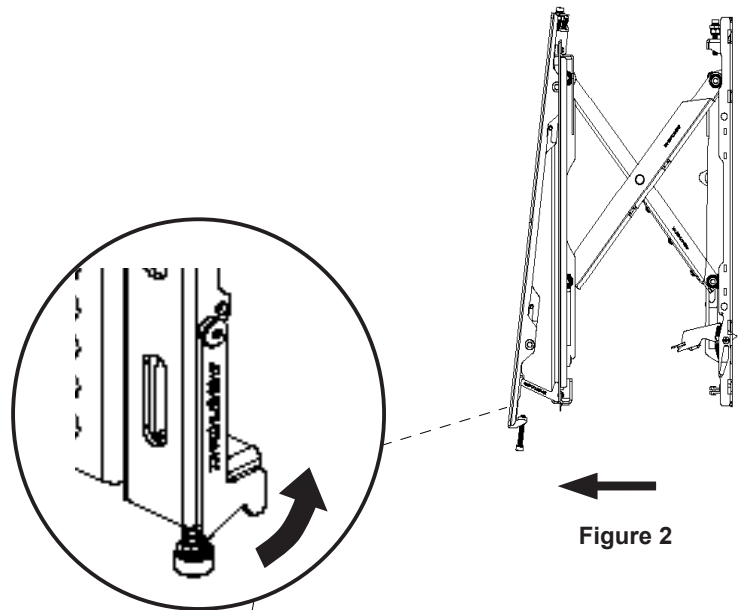


Figure 2

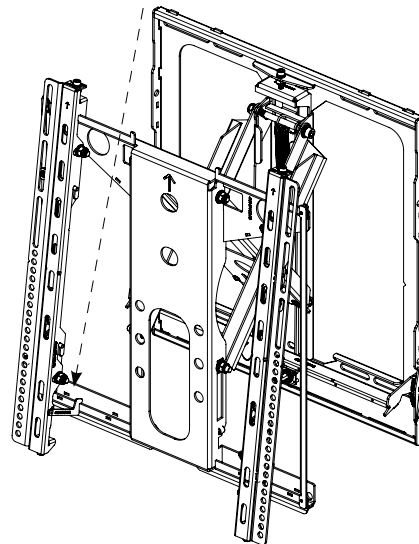


Figure 3

Note: Shown without adapters for clarity.



PREMIER MOUNTS
LIMITED LIFETIME WARRANTY

What and Who is Covered by this Limited Lifetime Warranty

Premier Mounts warrants all mounting products to be free from defects in material and workmanship for the lifetime of the original installation of the product.

What Premier Mounts Will Do

At the sole option of Premier Mounts, Premier Mounts will repair or replace any product or product part that is defective. If Premier Mounts chooses to replace a defective product or part, a replacement product or part will be shipped to you at no charge, but you must pay any related labor costs.

What is Not Covered: Limitations

Premier Mounts disclaims any liability for damage to mounts, adapters, displays, projectors, other property, or personal injury resulting, in whole or in part, from improper installation, modification, use or misuse of its products.

NOTWITHSTANDING ANYTHING TO THE CONTRARY IN THIS WARRANTY, THIS WARRANTY IS LIMITED TO FIVE YEARS FROM THE DATE OF PURCHASE IN THE EVENT THAT THE WARRANTED PRODUCT IS COMMERCIALY RENTED OUT.

Electrical products and components, such as amplifiers, speakers, motors, switches remote controls and related electrical items, are backed by a 3-year warranty.

Premier Mounts disclaims all other warranties, express or implied, including warranties of merchantability and fitness for a particular purpose. Premier Mounts is not responsible for incidental or consequential damages, including but not limited to, inability to use its products or labor costs for removing and replacing defective products or parts. Some states do not allow the exclusion or limitation of incidental or consequential damages, so the above limitation or exclusion may not apply to you.

What Customers Must Do for Warranty Service

If you discover a problem that you think may be covered by the warranty, you must report it in writing to the address below within thirty (30) days. Proof of purchase (an original sales receipt) from the original consumer purchaser must accompany all warranty claims. Warranty claims must also include a description of the problem, the purchaser's name, address, and telephone number. General inquiries can be addressed to Premier Mounts Customer Service at 1-800-368-9700. Warranty claims will not be accepted over the phone or by fax.

Premier Mounts
Attn: Warranty Claim
2620 Palisades Drive
Corona CA, 92882 USA

How State Law Applies

This warranty gives you specific legal rights, and you may also have other rights which vary from state to state.

Premier Mounts intends to make this manual accurate and complete. However, Premier Mounts makes no claim that the information contained herein covers all details, conditions or variations, nor does it provide for every possible contingency in connection with the installation or use of this product. The information contained in this document is subject to change without notice or obligation of any kind. Premier Mounts makes no representation of warranty, expressed or implied, regarding the information contained herein. Premier Mounts assumes no responsibility for accuracy, completeness or sufficiency of the information contained in this document.

