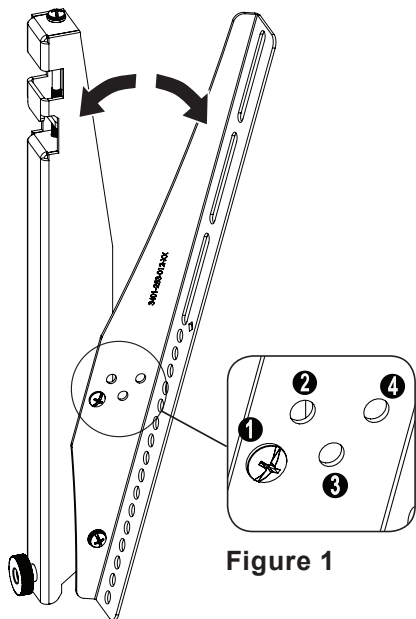
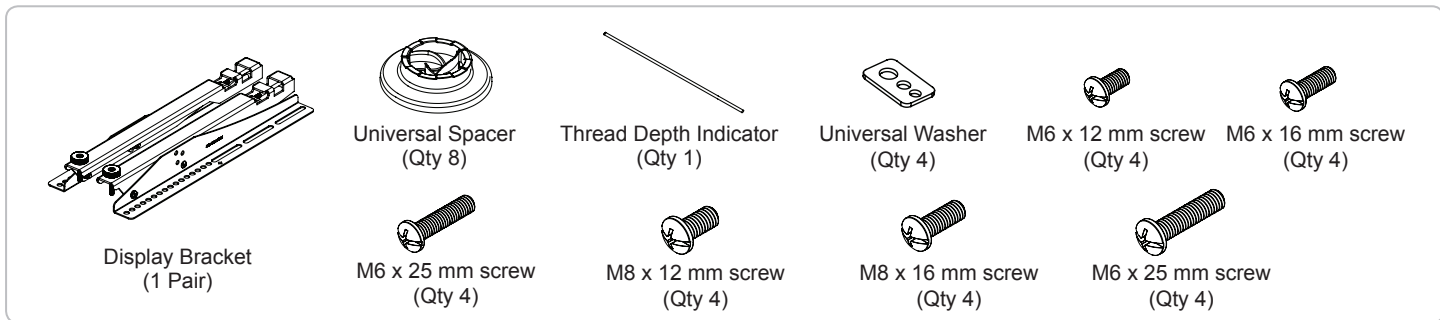


UMB-DBT / UMB-DBTS

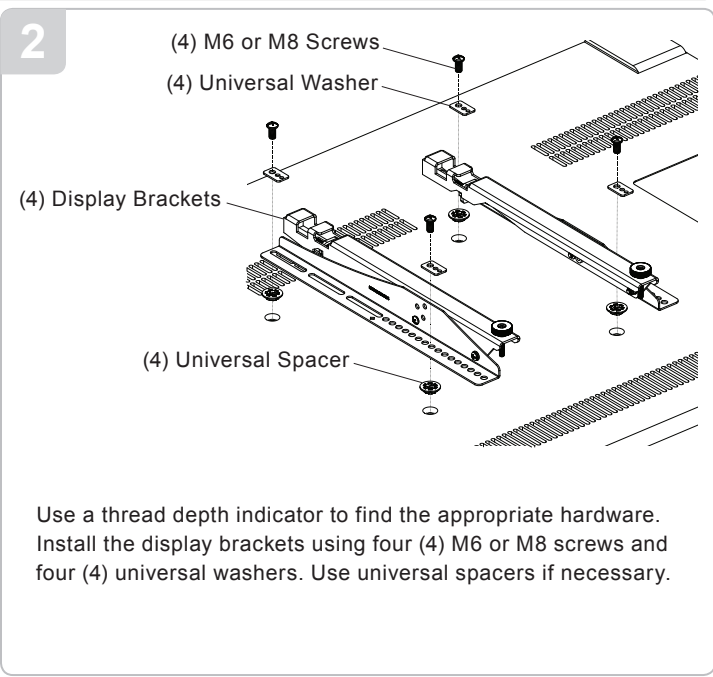
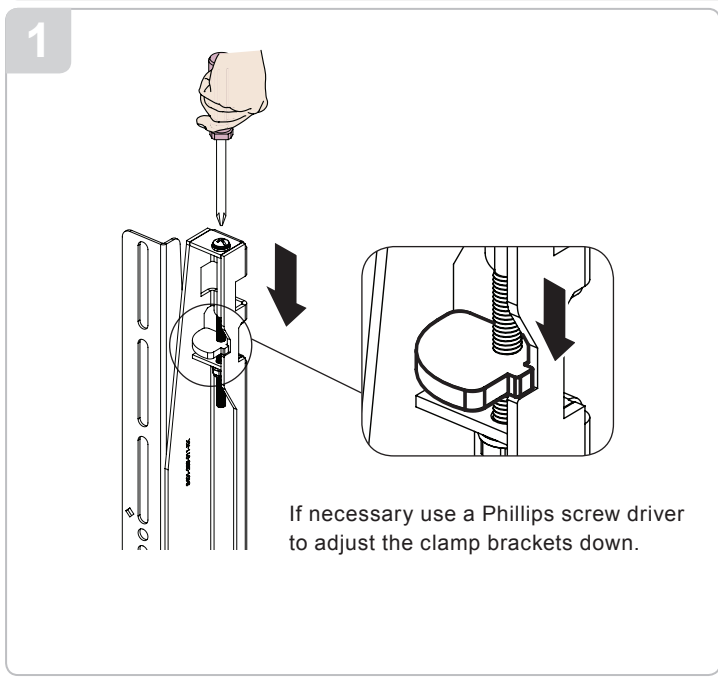
Installation Guide



Tilt Adjustments

Tilt adjustments can be made shown in figure 1 by removing the Phillips screw on the display brackets and installing it to another hole.

(0° - 5° - 10° - 20°) Degrees

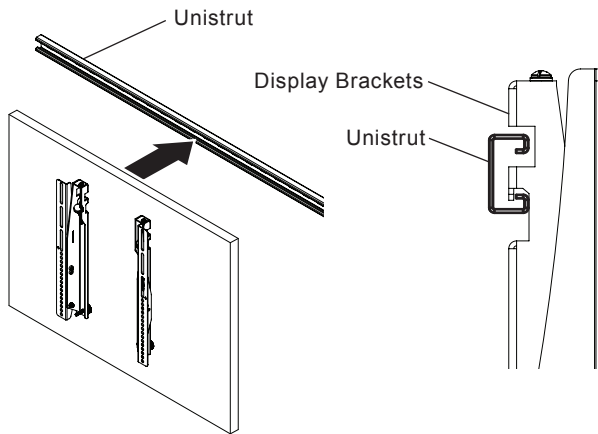


UMB-DBT / UMB-DBTS

Installation Guide

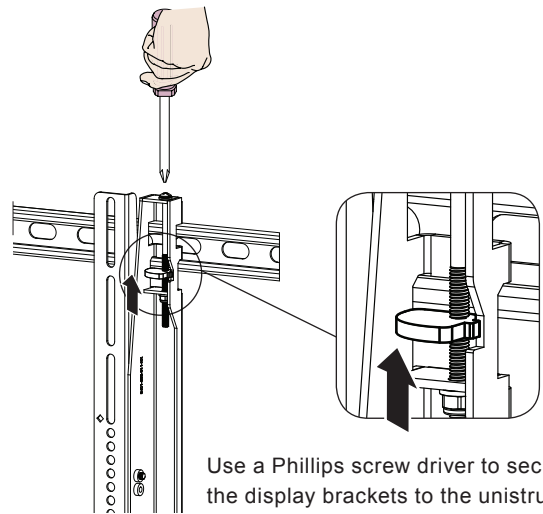
3

Commercially available recommended unistrut
P4100T 1 5/8" x 13/16" 14 gauge.



Attach the display brackets to the unistrut.

4



5

Leveling

Leveling adjustments can be made shown in figure 2 by turning the knurl knob.

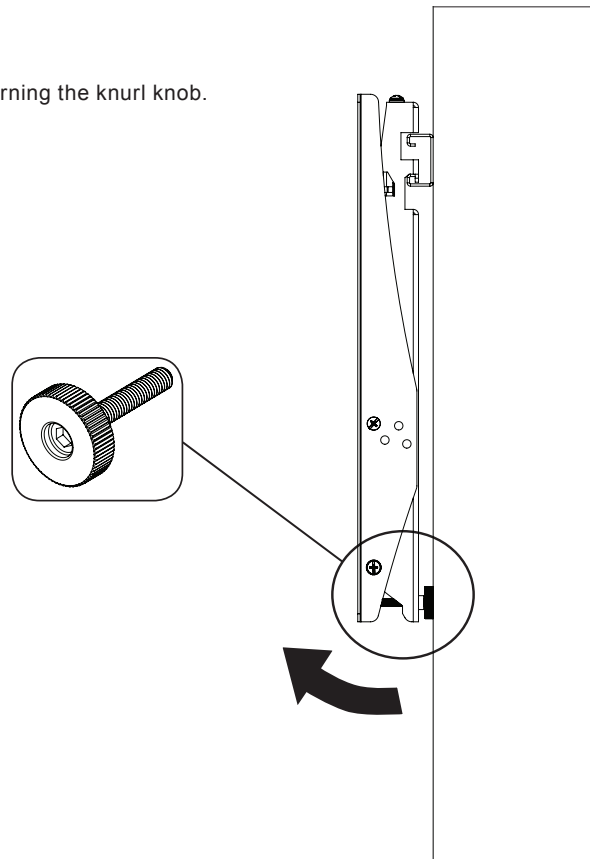


Figure 2