

Unistrut Adapter with 1.5 in. Cable-Access Coupler

Model: PP-UA

Weight Capacity: 400 lb / 182 kg

Features

- 1 Mounts direct to 1 5/8 in. unistrut channel
 - 2 Accepts 1.5 in. NPT threaded pipe
 - 3 Cable access through side of pipe coupler
- Safety screw secures pipe to coupler

The PP-UA mounts directly to commercially available 1 5/8 in. wide unistrut channel allowing attachment of 1.5" NPT pipe. This accessory can be used to hang flat panels or projectors when hard deck attach is not available. The cable access coupler provides a simple way to route power and signal through the pipe for a clean finished look.



Unistrut Adapter with 1.5 in. Cable-Access Coupler

PP-UA

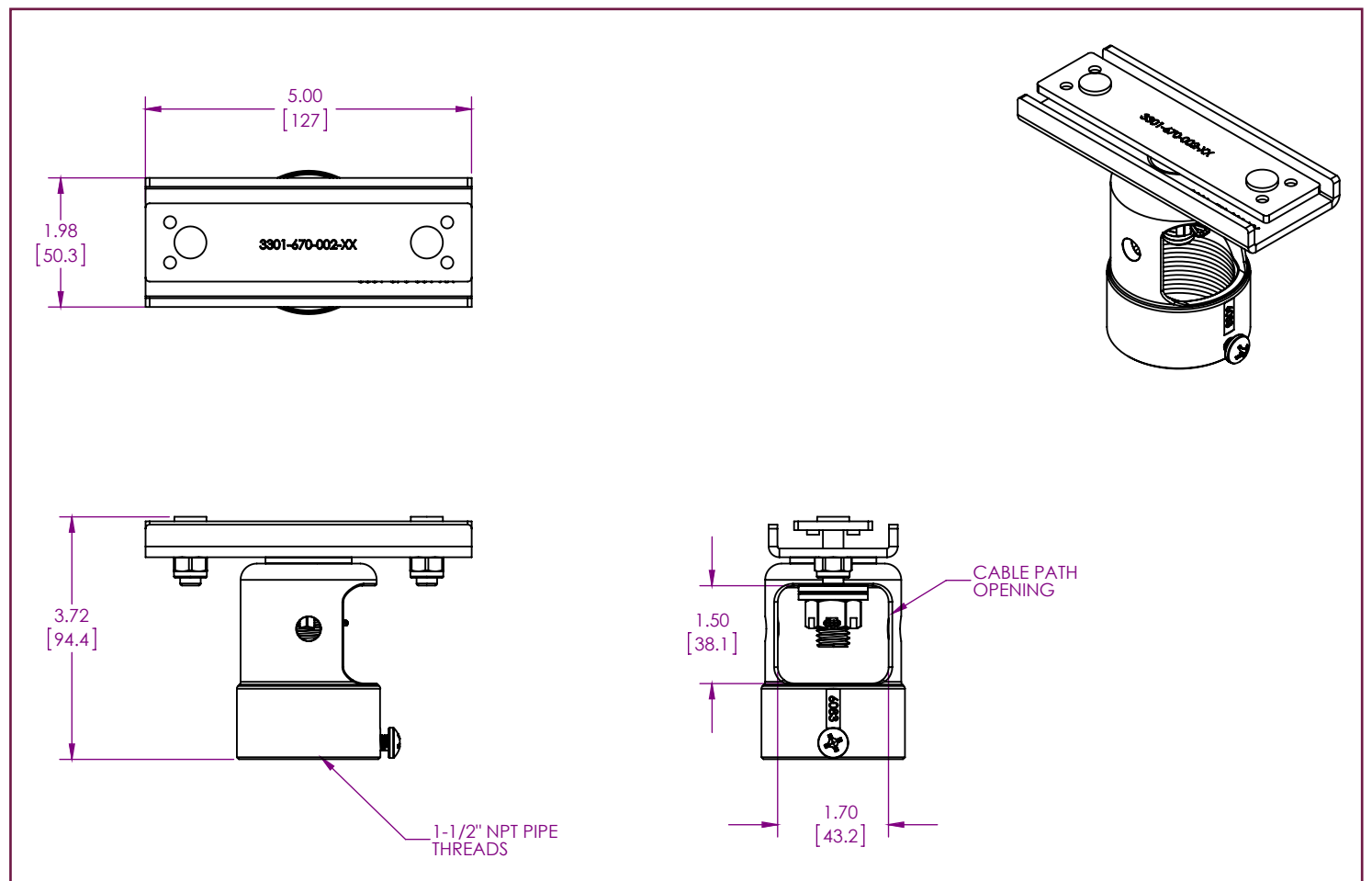
Specifications

Weight 2.5 lb. 1.5 kg	Color Black	Weight Capacity 400 lb. 182 kg
Warranty Lifetime	Width x Height x Depth 5 x 1.98 x 3.72 in. 127 x 50 x 94.5 mm	

Packaging

Width x Height x Depth 6 x 6 x 3 in. 152 x 152 x 76 mm
--

Architectural Drawing



Specifications subject to change without notice

T: 800.368.9700 Int'l: +001.714.632.7100 | www.mounts.com | 1321 S. State College Blvd., Fullerton, CA 92831 USA



Visit mounts.com to see the complete line of AV solutions from Premier Mounts, including flat-panel mounts, projector mounts, carts/stands, and a full assortment of accessories.
© 2015 Premier Mounts. All rights reserved. Rev. 01-14-06