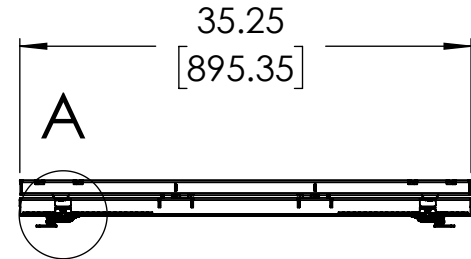
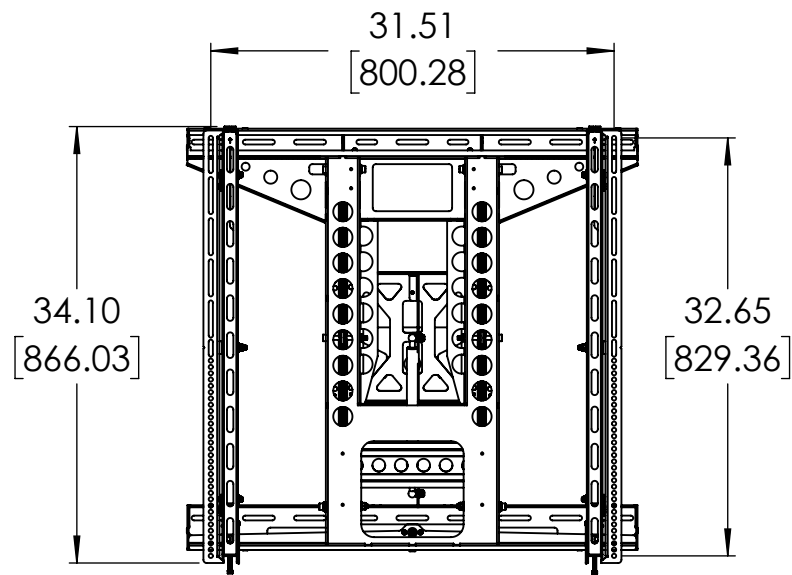


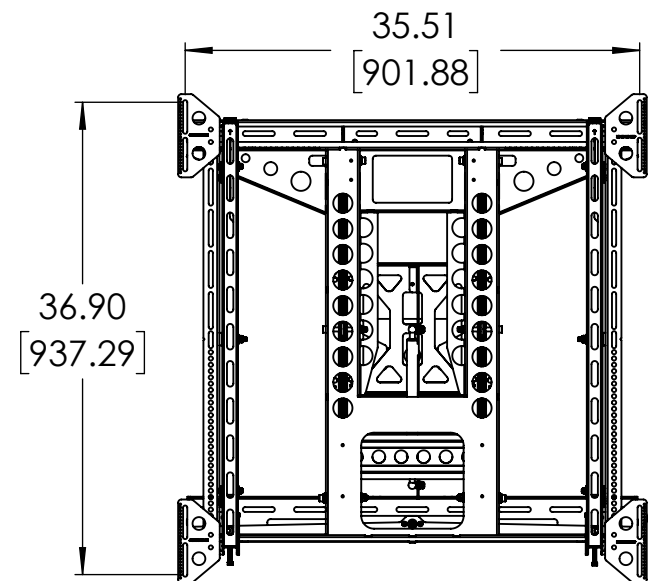
THE INFORMATION CONTAINED IN THIS DRAWING IS THE SOLE PROPERTY OF PREMIER MOUNTS DIVISION OF <PMPI> ANY REPRODUCTION IN PART OR WHOLE WITHOUT THE WRITTEN PERMISSION OF PREMIER MOUNTS DIVISION OF <PMPI> IS PROHIBITED.



VESA PATTERN
(400X400 MIN - 800 X 800MAX)

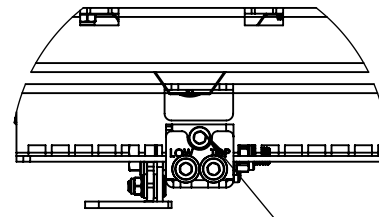


MAX PATTERN
(SHOWN WITH EXTENSION ADAPTERS)



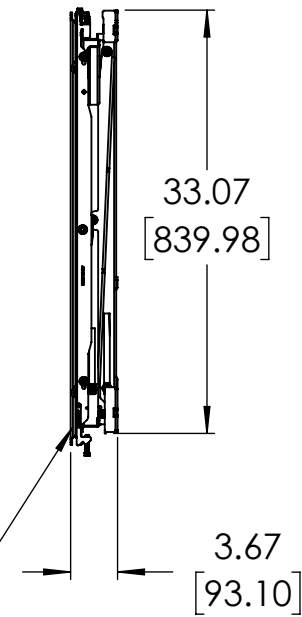
EXTENSION ADAPTERS (X4)

CENTRALIZED ADJUSTMENTS
ALIGN THE DISPLAY ON THE X, Y AND Z PLANE LOCATED ON TOP THE MOUNTING BRACKETS

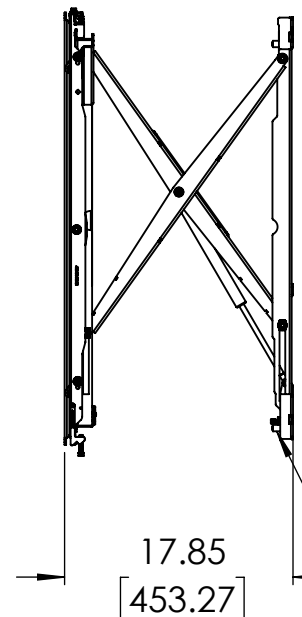


DETAIL A
SCALE 2 : 7
.250" [6.35] POST LEVELING

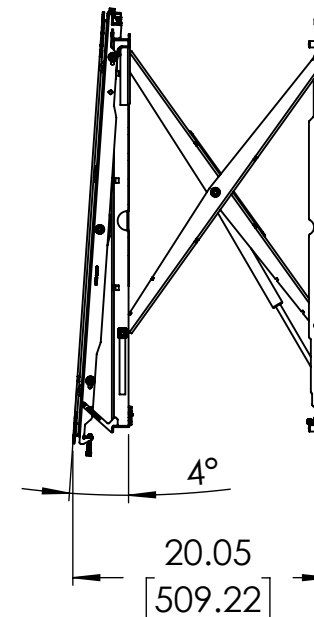
(FULLY COLLAPSED)



(FULLY EXTENDED)

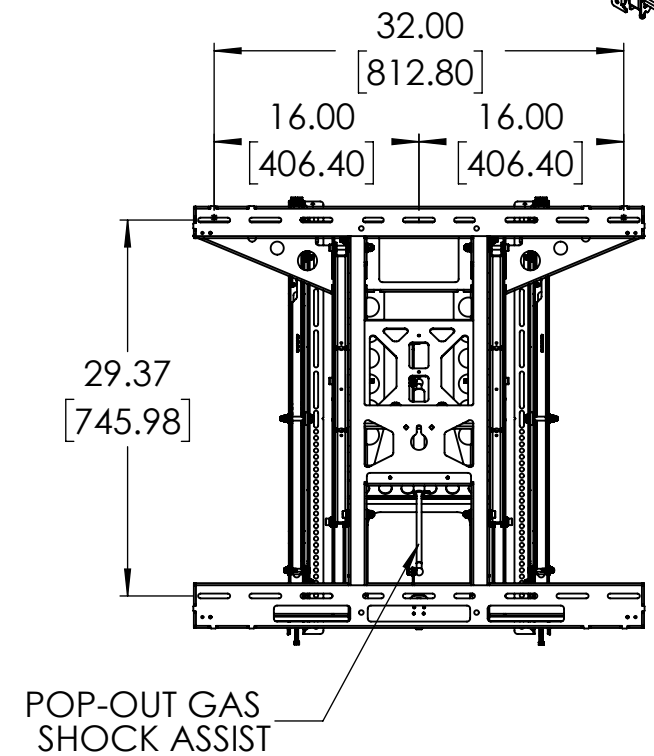
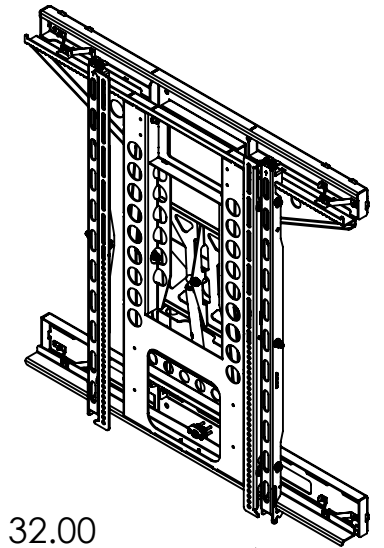


(SERVICE POSITION)



IN/OUT ADJUSTMENT ±.375" [9.52]

(SINGLE SPRING LOADED LATCH)



POP-OUT GAS SHOCK ASSIST